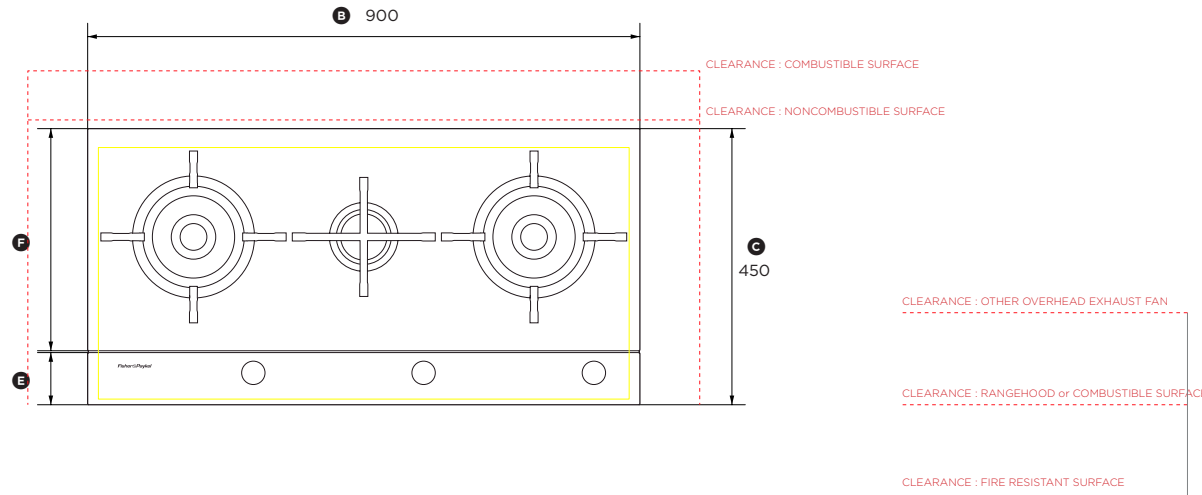


## 900mm Gas on Glass Cooktop

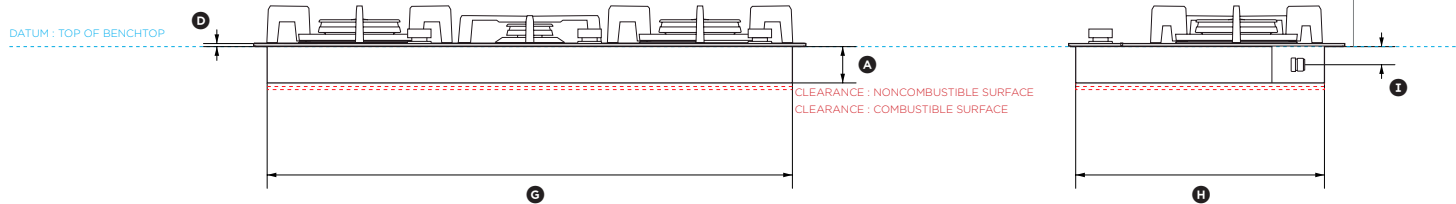
Model no:

**CG903DNGGB1**

**CG903DLPGB1**



PLAN VIEW



FRONT VIEW

PROFILE VIEW

Product Dimensions	mm
Ⓐ Height of chassis (below top of bench)	59
Ⓑ Overall width of cooktop	900
Ⓒ Overall depth of cooktop	450
Ⓓ Height from benchtop datum to top of cooktop glass	5
Ⓔ Depth of front control panel	85
Ⓕ Depth of cooktop cooking area	362
Ⓖ Width of chassis	856
Ⓗ Depth of chassis	406
Ⓘ Distance from top of bench to centre of gas inlet on product	30

Minimum Clearances	mm
Minimum clearance from left edge of cutout to nearest combustible surface	115
Minimum clearance from right edge of cutout to nearest combustible surface	115
Minimum clearance from rear edge of cutout to nearest combustible surface	125
Minimum clearance from rear edge of cutout to nearest non-combustible surface	45
Minimum clearance below top of benchtop to combustible surface	70
Minimum clearance below top of benchtop to Fisher & Paykel oven or nearest non-combustible surface	65
Minimum clearance from glass surface to downwards-facing tiled or fire resistant surface	500
Minimum clearance from glass surface to rangehood or downward facing combustible surface	650
Minimum clearance from glass surface to any other overhead exhaust fan	800

INDICATES CABINERY BENCHTOP DATUM - - - - -  
 INDICATES MINIMUM CABINERY CLEARANCES - - - - -

DATE: 16.06.2014

IMPORTANT NOTE: Throughout this guide, dimensions may vary by  $\pm 2\text{mm}$  ( $3/32"$ ). Please read the installation manual for detailed information on installing the product. [www.fisherpaykel.com](http://www.fisherpaykel.com)

