

FISHER & PAYKEL

PRELIMINARY SPECIFICATION GUIDE

STEAM OVEN, 60CM



OVERVIEW

With timeless Contemporary styling, the compact Combination Steam Oven is designed to fit seamlessly into any kitchen. It features 23 functions, including steam-only, convection-only, or a combination of both. Reduce the need for oils and fats with six standalone steam functions, perfect for creating flavourful and healthy restaurant-quality meals at home. Beautiful to use, the large 5" touchscreen interface has simple and intuitive guided cooking, helping to ensure perfect results.

MODELS

Combination Steam Oven, 60cm, 23 Function

55L, Stainless steel, Touchscreen, Dial
OS60NDTDX1

SERIES & STYLE

Series 9
Contemporary

ACCESSORIES

- 1 Roasting dish
- 1 Step down wire shelf
- 2 Full extension sliding shelves
- 3 Large perforated dish
- 2 Small perforated dish

FEATURES

- 1 Contemporary style, designed to fit flush with cabinetry
- 2 55L total capacity
- 3 Intuitive, large 5" touchscreen display with illuminated dial
- 4 23 oven functions, including six steam-only functions
- 5 Wireless Temperature Sensor precisely monitors cooking in real time*
- 6 Guided touchscreen cooking makes it simple to cook by food, function or recipe
- 7 Moisture control and even heat distribution thanks to ActiveVent and AeroTech™ technology
- 8 Motorised control panel reveals large 1.5L water tank
- 9 Wi-Fi/Connected capability through the SmartHQ™ app*

*Selected markets and models

- 7 Large unperforated dish
- 8 Baking tray
- 9 Wireless Temperature Sensor*
- 10 Descale solution (2 sachets)

*Selected markets and models

FISHER & PAYKEL

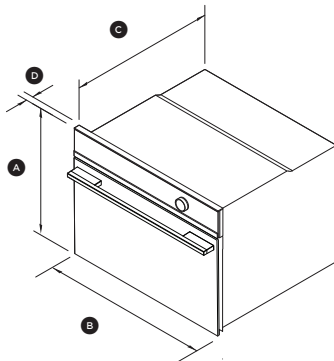
PRELIMINARY SPECIFICATION GUIDE

STEAM OVEN, 60CM

SPECIFICATIONS

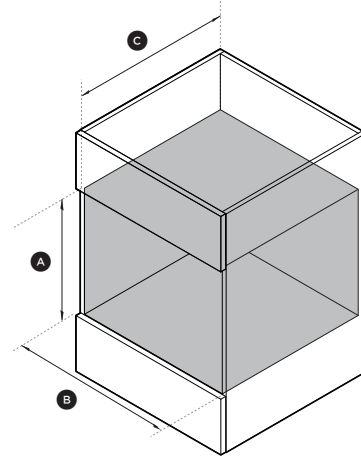
Model No.	OS60NDTDX1
Dimensions	H 458mm W 596mm D 565mm
Total capacity	55L
Weight	40kg (unpackaged) 52kg (packaged)
Electrical	
Supply	220-240VAC, 50Hz
Service	15A circuit

PRODUCT DIMENSIONS



ISO VIEW

CAVITY DIMENSIONS



ISO VIEW

	mm
Ⓐ Overall height	458
Ⓑ Overall width	596
Ⓒ Depth of chassis	545
Ⓓ Depth from front frame (excludes dial and handle)	20
Depth of oven door when fully open (measured from front of control panel)	320

	mm
Ⓐ Minimum inside height	440
Ⓑ Minimum inside width	560
Ⓒ Minimum inside depth	550