

# 76cm Series 9 Contemporary Compact Combi-Steam Oven

Contemporary

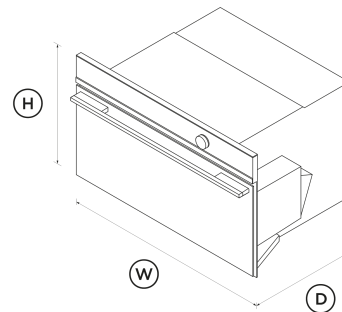


Designed for the home chef, our Combination Steam Oven simplifies the creation of healthy and delicious meals.

- 23 oven functions including Steam, Sous Vide, Air Fry and Crisp Regenerate
- Guided touchscreen cooking makes it simple to navigate cooking processes
- Help reduce food waste by rejuvenating leftovers with steam for fresh-tasting roasts, and risottos and more
- Easily maintain a spotless oven; Steam Clean lifts stubborn spills for quick wipe-downs

## DIMENSIONS

Height	458 mm
Width	760 mm
Depth	565 mm



## FEATURES & BENEFITS

### Combination cooking

Elevate every ingredient with combination steam cooking. By blending dry convection heat with adjustable steam levels, you can preserve the delicate texture of seafood like salmon and snapper, maintain the essential vitamins and minerals in greens, and enhance the rich flavours of prime cuts of meat.

### Mastery of temperature

Steam is eight times more efficient at conducting heat than convection, which means our combi steam oven can cook at reduced times and lower temperatures. It perfectly balances steam with convection heat, ensuring exceptional temperature accuracy for perfect roasting and crafting signature dishes.

### Preserve flavour and nutrients

Perfect for delicate dishes like snapper or salmon, steam cooking preserves nutrients and texture, offering a healthier way to enjoy meals. With specialised steam functions, including Sous Vide, the combi steam oven brings out the best in every ingredient, ensuring your creations are both nutritious and delicious.

### Cook with confidence

Using the large 5" touchscreen interface, you can cook with a favourite method, hero ingredient, cooking function, or recipe. Your oven will guide you through the steps, or change the temperature and heat type automatically, depending on your selection.

### Reheat and restore

Revitalise your leftovers with our Steam Regenerate function, ensuring dishes like roast chicken and risotto maintain their freshness and flavour. For that just-baked quality in pastries, bread, and pizza, opt for our Crisp Regenerate setting, which reheats to keep every bite deliciously crispy.

### Complementary design

Every detail has been carefully crafted from the finest materials to enhance your kitchen's aesthetic, perfectly suiting your design style. Pair it with a Vacuum Seal Drawer for the ultimate kitchen solution.

### Steam clean

Keep your oven spotless with the natural power of steam. The steam clean feature helps tackle stubborn spills, allowing for a quick wipe-down.

## SPECIFICATIONS

<hr/>		Steam clean (oven)	•	Classic bake	•
<b>Accessories (included)</b>		<hr/>			
Catalytic panels	•	<b>Controls</b>		Crisp regenerate	•
Descal solution	2	Adjustable audio and display settings	•	Fan bake	•
Flat brushed baking tray	1	Audio feedback	•	Fan forced	•
Full extension sliding shelves	1	Automatic cooking/minute timer	•	Fan forced + High steam	•
Grill rack	1 set	Automatic pre-set temperatures	•	Fan forced + Low steam	•
Large steam dish	1	Celsius/Fahrenheit temperature	•	Fan forced + Medium steam	•
Perforated large steam dish	1	Certified Sabbath mode	•	Fan grill	•
Perforated small steam dish	1	Delay start	•	Grill	•
Roasting dish	1	Dial with illuminated halo	•	Pastry Bake	•
Wire shelf	1	Electronic capacitive touch controls	•	Pizza bake	•
Wired temperature sensor	1	Electronic clock	•	Roast	•
<hr/>		Electronic oven control	•	Slow cook	•
<b>Capacity</b>		Guided cooking	•	Sous vide	•
Shelf positions	4	Halogen lights	•	Steam	•
Total capacity	55 L	Intuitive touchscreen display	•	Steam clean (oven)	•
Usable capacity	45 L	Multi-language display	true	Steam defrost	•
Water tank capacity	1.4L	Smart appliance	•	Steam proof	•
<hr/>		Soft close doors	•	Steam regenerate	•
<b>Cleaning</b>		Temperature sensor	•	Vent bake	•
Acid resistant graphite enamel	•	Touch control glass interface	•	Warm	•
Descal cycle	•	True convection oven	•	<hr/>	
Drying cycle	•	Voice control	•	<b>Power requirements</b>	
Easy to clean interior	•	Wireless temperature sensor compatible	•	Amperage	20 A
Removable oven door	•	<hr/>			
Removable oven door inner glass	•	<b>Functions</b>		Supply frequency	50 Hz
Removable side ladders	•	Air fry	•	Supply voltage	220-240 V
Removable water tank	•	Bake	•	<hr/>	
				<b>Product dimensions</b>	
				Depth	565 mm

Height	458 mm
Width	760 mm

---

SKU	84721
-----	-------

---

The product dimensions and specifications in this page apply to the specific product and model. Under our policy of continuous improvement, these dimensions and specifications may change at any time. You should therefore check with Fisher & Paykel's Customer Care Centre to ensure this page correctly describes the model currently available. © Fisher & Paykel Appliances Ltd 2020

Our In-use Energy Carbon Emissions Estimate is designed to assist customers in making informed purchasing decisions when comparing different Fisher & Paykel products. For example, a heat pump dryer typically has a lower In-use Energy Carbon Emissions Estimate than a vented dryer.



**A PEACE OF MIND SALE**  
24 Hours 7 Days a Week Customer Support

T 0800 372 273 W [www.fisherpaykel.com](http://www.fisherpaykel.com)

#### Other product downloads available at [fisherpaykel.com](http://fisherpaykel.com)

- [↓](#) DWG
- [↓](#) DXF
- [↓](#) Installation Guide (English)
- [↓](#) Planning Guide - Contemporary Black 76cm Built-in Ovens and Companions (English)
- [↓](#) Revit
- [↓](#) Rhino
- [↓](#) SketchUp
- [↓](#) User Guide (English)

#### Where applicable:

All appliances use energy, and energy usage typically generates carbon emissions. **Fisher & Paykel Appliances' In-use Energy Carbon Emissions Estimate** indicates carbon emissions from a product's in-use energy. This is calculated either annually or per cycle, using the product's market-specific energy label energy consumption data multiplied by the carbon emissions factor for energy in your country or region.