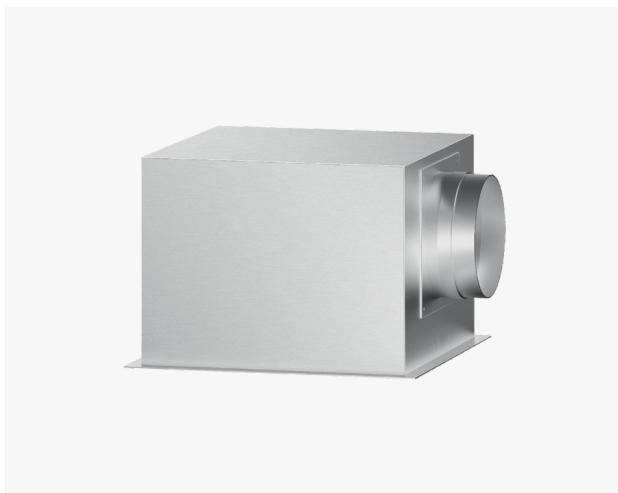


# Internal Blower

Series 7 | Professional

Stainless Steel

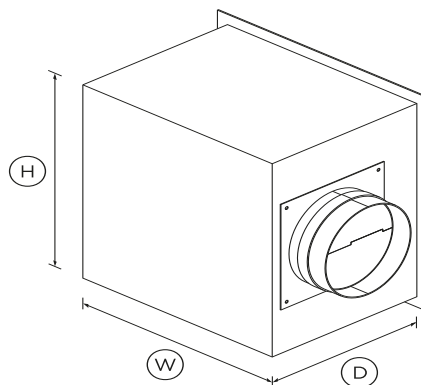


This remote internal blower can be placed anywhere, working with one of our downdraft range hoods for faster and more efficient extraction.

- Can be paired with our downdraft range hoods, such as models HD36 and HD30
- Powerful 600CFM maximum airflow

## DIMENSIONS

Height	13"
Width	10"
Depth	13"



## Product dimensions

Depth	13"
Height	13"
Width	10"

## Warranty

Parts and labor	Limited 2 years
-----------------	-----------------

SKU	50046
-----	-------

The product dimensions and specifications in this page apply to the specific product and model. Under our policy of continuous improvement, these dimensions and specifications may change at any time. You should therefore check with Fisher & Paykel's Customer Care Centre to ensure this page correctly describes the model currently available. ? Fisher & Paykel Appliances Ltd 2020

## SPECIFICATIONS

### Installation and cleaning

Air outlet size	10"
-----------------	-----

### Power requirements

Rated current	15A
Supply frequency	60Hz
Supply voltage	120V

---

Other product downloads available at [fisherpaykel.com](http://fisherpaykel.com)



User Guide



Service & Warranty



Installation Guide



**A PEACE OF MIND SALE**

24 Hours 7 Days a Week Customer Support

T 1.888.936.7872 **W**[www.fisherpaykel.com](http://www.fisherpaykel.com)