

Wall Cooker Hood, 90cm, Box Chimney

Series 7 | Contemporary

Black Stainless Steel and Glass

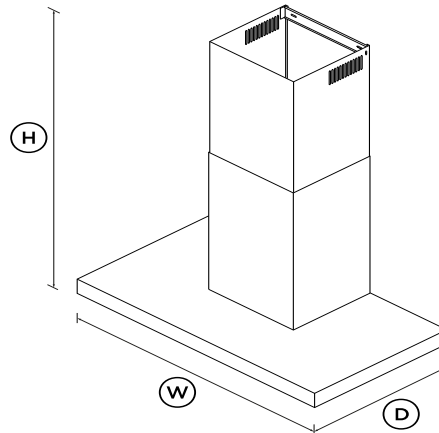


The wall chimney cooker hood has a Contemporary styling, extracting steam, grease and cooking odours quietly and efficiently.

- With four fan speeds, plus a boost function, select the perfect extraction rate for your cooking
- Dishwasher-safe filters that are easy to remove and clean
- Wi-Fi enabled for notifications through the SmartHQ™ app

DIMENSIONS

Height	635-1035mm
Width	898mm
Depth	500mm



FEATURES & BENEFITS

Quiet And Effective

Featuring perimeter extraction, four fan speeds and a boost function, this cooker hood provides powerful extraction to quickly remove odours and steam. Odours can linger in the kitchen well after cooking is finished so the timer keeps the hood working for up to 15 minutes before automatically turning off.

Simple controls

The intuitive control panel responds to the touch of your finger. LED strip lighting illuminates the entire hob surface for the

perfect sear or ideal reduction. Cooker hood settings, including temperature and fan speed, can be controlled via the SmartHQ™ app, with additional voice control options for fan speeds and lighting.

Easy Cleaning

Designed for simple removal, the filters are easy to clean and dishwasher safe, while the glass and stainless steel finish is easily wiped clean. The SmartHQ™ app will notify you when to clean the filter to ensure you get the best performance out of your cooker hood.

Complementary design

This wall cooker hood features brushed black stainless steel styling with a black glass control panel which will complement any contemporary kitchen.

Easy installation

This wall chimney cooker hood is the perfect partner to your Fisher & Paykel hob. It can be either externally ducted or internally recirculated, making it perfect for apartments.

SPECIFICATIONS

Accessories (sold separately)

Recirculation carbon filter	792481
-----------------------------	--------

Consumption

Energy usage	42kWh/year
In-use energy carbon	13.0kgCO2e/year

Installation and cleaning

Dishwasher safe filters	3
Ducted	Top extraction
Recirculation	Optional - top extraction
Stainless steel filter cover	•

Two piece height adjustable •

Parts and labour **5 years**

Performance

Extraction type **Surface**

Fan speeds **3**

Filter type **Mesh with Stainless Steel filter**

Number of filters **3**

SKU 50203

The product dimensions and specifications in this page apply to the specific product and model. Under our policy of continuous improvement, these dimensions and specifications may change at any time. You should therefore check with Fisher & Paykel's Customer Care Centre to ensure this page correctly describes the model currently available. Fisher & Paykel Appliances Ltd 2020

Where applicable:

All appliances use energy, and energy usage typically generates carbon emissions. **Fisher & Paykel Appliances' In-use Energy Carbon Emissions Estimate** indicates carbon emissions from a product's in-use energy. This is calculated either annually or per cycle, using the product's market-specific energy label energy consumption data multiplied by the carbon emissions factor for energy in your country or region.

Our In-use Energy Carbon Emissions Estimate is designed to assist customers in making informed purchasing decisions when comparing different Fisher & Paykel products. For example, a heat pump dryer typically has a lower In-use Energy Carbon Emissions Estimate than a vented dryer.

Power requirements

Motor power **130W**

Supply frequency **50Hz**

Supply voltage **220-240V**

Product dimensions

Depth **500mm**

Height **635-1035mm**

Width **898mm**

Product information

Control type **Capacitive touch**

Ventilation features

Auto-off/Run-on timer •

Dimmable lights •

Filter cleaning alert •

Light type **LED strip**

Timer function •

Wi-Fi connectivity •

Warranty

Other product downloads available at fisherpaykel.com

- [↓](#) Service & Warranty
- [↓](#) Declaration of Conformity
- [↓](#) Product Information Sheet Cooker Hood
- [↓](#) User Guide Wall CookerHood
- [↓](#) Preliminary Specification Guide
- [↓](#) Data Sheet Cooker Hood



A PEACE OF MIND SALE

24 Hours 7 Days a Week Customer Support

T 1800 625174 Wwww.fisherpaykel.com