

# 90cm Series 9 Integrated CoolDrawer Multi-temperature Drawer

<b>Height</b>	<b>640 mm</b>
<b>Width</b>	<b>855 mm</b>
<b>Depth</b>	<b>557 mm</b>

Ideal for general frozen food storage with the added flexibility of three freezer functions - bottle chill, fast freeze and deep freeze. Freezer mode is set at -18°C for longer term storage of frozen items.

### Wine

Wine Mode is ideal for long term storage of all wine at 12°C. It also offers short term storage at 7°C for white wine and 15°C for red wine.

### Chill

Chill Mode sets the compartment to a temperature ideal for highly perishable meats, poultry and seafood. Chill Mode sets the compartment at -0.5°C, just above the freezing temperature for meat.

## SPECIFICATIONS

### Accessories (sold separately)

Door panel set stainless steel	<b>RD9064S</b>
Handle kit Classic	<b>AHCLRD90S</b>
Handle kit Contemporary round, aluminium	<b>AHSRB90S</b>
Handle kit Contemporary square fine, aluminium	<b>AHD5RD90S</b>
Handle kit Contemporary square fine, black	<b>AHD5RD90SB</b>

### Capacity

Volume	<b>104 L</b>
--------	--------------

### Consumption

Energy rating	<b>E</b>
---------------	----------

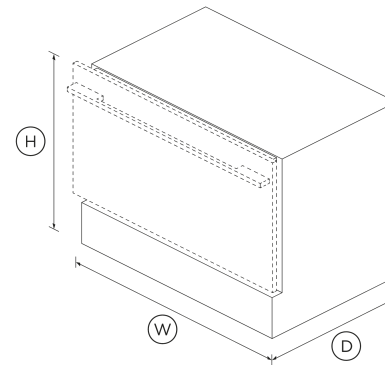
Integrated



Designed with the flexibility to be placed anywhere in your home, you can change your CoolDrawer™ from refrigerator to pantry or freezer with the push of a button.

- Variable Temperature Zone lets you change between five different food modes - fridge, freezer, pantry, chill and wine
- Customise with your own kitchen cabinetry or purchase our stainless steel door panel accessory

## DIMENSIONS



## FEATURES & BENEFITS

### Fridge

The ideal storage for most foods such as fruit, vegetables, dairy products and drinks. The compact upper storage tray is a perfect place for sensitive foods while the tall bin is ideal for large bottles and containers.

### Pantry

Designed for foods that require a cool, dark place for storage such as tropical fruits, tomatoes and cereals.

### Freezer

Energy usage	<b>82kWh/year</b> (refrigerator mode), <b>197kWh/year</b> (freezer mode)
In-use energy carbon emissions estimate	<b>15.9kgCO<sub>2</sub>e/year</b> (refrigerator mode), <b>38.2kgCO<sub>2</sub>e/year</b> (freezer mode)

Depth	<b>557 mm</b>
Height	<b>640 mm</b>
Width	<b>855 mm</b>

[↓](#) User Guide (English)

#### Where applicable:

All appliances use energy, and energy usage typically generates carbon emissions. **Fisher & Paykel Appliances' In-use Energy Carbon Emissions Estimate** indicates carbon emissions from a product's in-use energy. This is calculated either annually or per cycle, using the product's market-specific energy label energy consumption data multiplied by the carbon emissions factor for energy in your country or region.

Our In-use Energy Carbon Emissions Estimate is designed to assist customers in making informed purchasing decisions when comparing different Fisher & Paykel products. For example, a heat pump dryer typically has a lower In-use Energy Carbon Emissions Estimate than a vented dryer.

#### Features

Door alarm	•
Full extension runners	•
LED lighting	•
SmartTouch control panel	•
Spill proof removable bins	•
Variable temperature control	•

#### Variable Temp Compartment

Chill (mode)	•
Freezer (mode)	•
Fridge (mode)	•
Pantry	•
Wine	•

SKU 26091

The product dimensions and specifications in this page apply to the specific product and model. Under our policy of continuous improvement, these dimensions and specifications may change at any time. You should therefore check with Fisher & Paykel's Customer Care Centre to ensure this page correctly describes the model currently available. © Fisher & Paykel Appliances Ltd 2020

#### Other product downloads available at [fisherpaykel.com](http://fisherpaykel.com)

- [↓](#) DWG
- [↓](#) DXF
- [↓](#) Energy Label
- [↓](#) Product Information Sheet
- [↓](#) Planning Guide (English)
- [↓](#) Revit
- [↓](#) Rhino
- [↓](#) SketchUp

#### Performance

ActiveSmart™ Foodcare	•
Noise emissions	<b>39 dBA</b>
Noise emissions class	<b>C</b>
Quiet mark certified	•

#### Power requirements

Rated current	<b>10 A</b>
Supply frequency	<b>50 Hz</b>
Supply voltage	<b>230 V</b>

#### Product dimensions



#### A PEACE OF MIND SALE

**24 Hours 7 Days a Week Customer Support**

**T 08000 886 605** **W**[www.fisherpaykel.com](http://www.fisherpaykel.com)