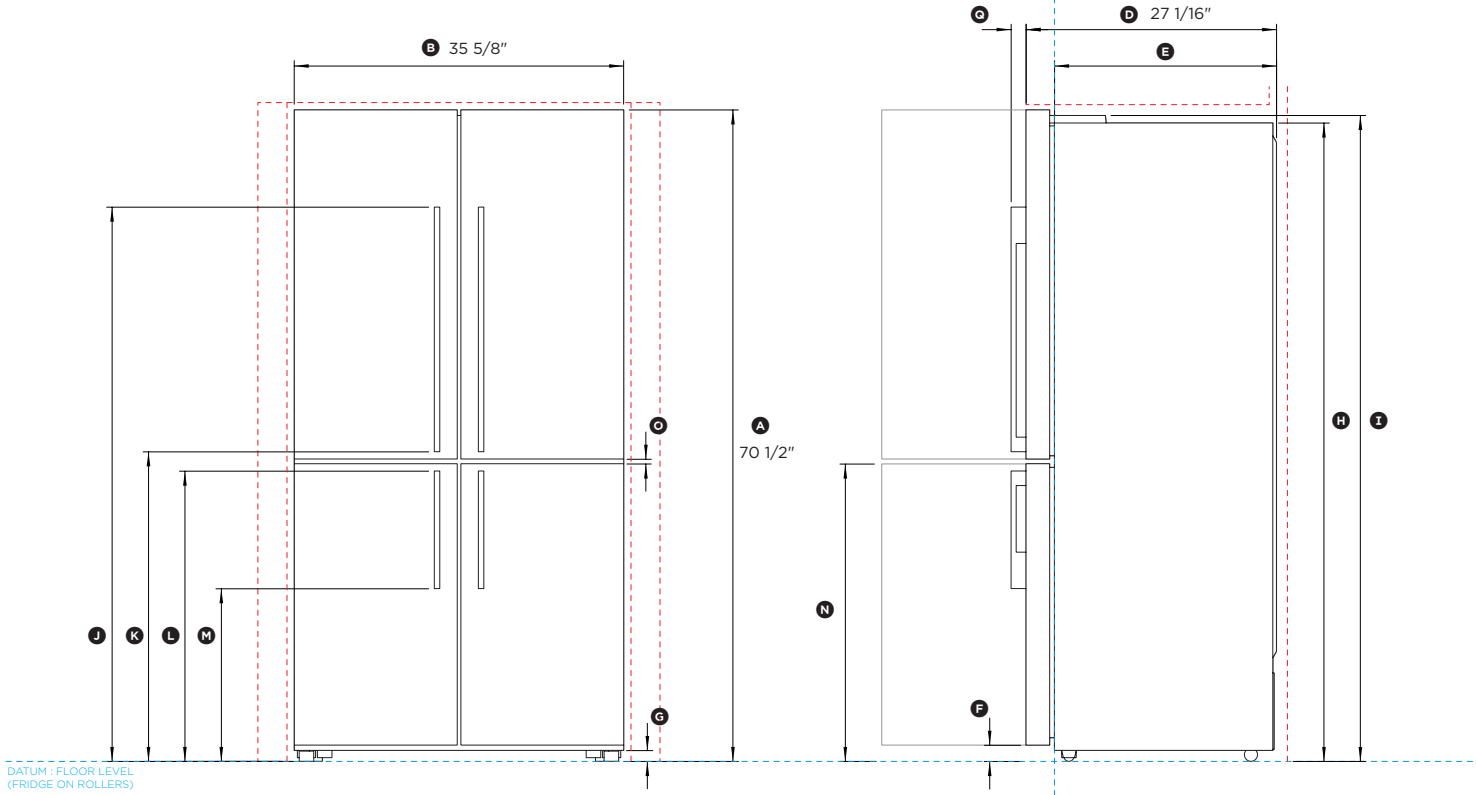
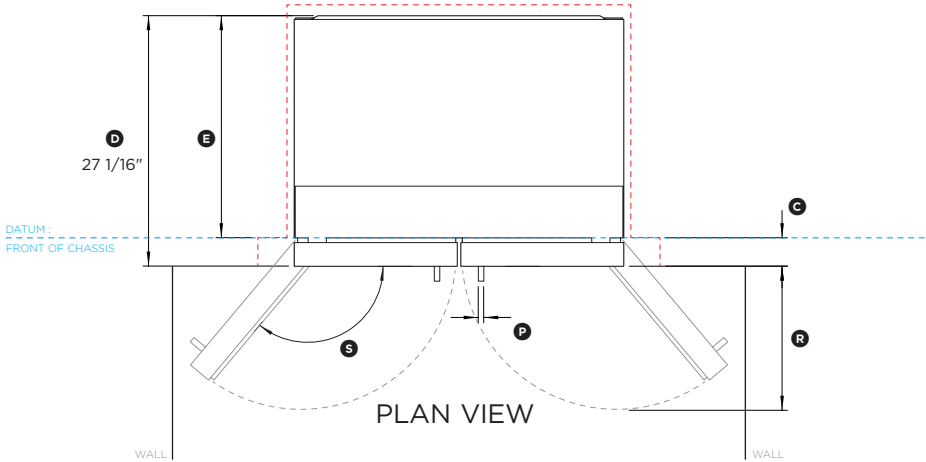


# FISHER & PAYKEL

## DATA SHEET

### 905mm ActiveSmart™ Refrigerator - Quad Door

Model no:  
**RF605QDVX1, RF203QDJVX1**  
 (refer page 2 for metric measurements)



Product Dimensions	in
Ⓐ Overall height* of fridge	70 1/2"
Ⓑ Overall width of fridge	35 5/8"
Ⓒ Depth of fridge door and gasket (excludes handle)	3 1/16"
Ⓓ Depth of fridge door and chassis (excludes handle)	27 1/16"
Ⓔ Depth of fridge chassis (does not include fridge door)	24"
Ⓕ Height of from bottom datum to bottom of bottom door	1 3/4"
Ⓖ Height of feet (adjustable)	1 3/16"
Ⓗ Height from bottom datum to top of chassis	69 1/16"
Ⓘ Height from bottom datum to top of hinge cover	69 7/8"
Ⓚ Height from bottom datum to top of top handle	59 15/16"
Ⓛ Height from bottom datum to bottom of top handle	33 7/16"
Ⓜ Height from bottom datum to top of bottom handle	31 3/8"
Ⓝ Height from bottom datum to bottom of bottom handle	18 11/16"
Ⓟ Height from bottom datum to top of bottom door	32 3/16"
Ⓠ Gap between top and bottom doors	1/2"
Ⓡ Thickness of handles	5/8"
Ⓢ Depth of handle (measured from front of door)	1 5/8"
Ⓣ Depth of door (open at 90°) (measured from front of door)	15 9/16"
Ⓤ Rotation of door (open)	130°

\* Includes mounted feet

Minimum Clearances	in
Minimum height of cavity	71 1/4"
Minimum side clearance installed flush with chassis	13/16"
Side clearance - installed flush with door - full rotation	3 15/16"
Rear clearance (including evaporator tray)	1 3/16"
Minimum side clearance to wall	13 3/8"

INDICATES PRODUCT DATUM -----  
 INDICATES CABINETRY CLEARANCES -----

DATE: 16.10.2017

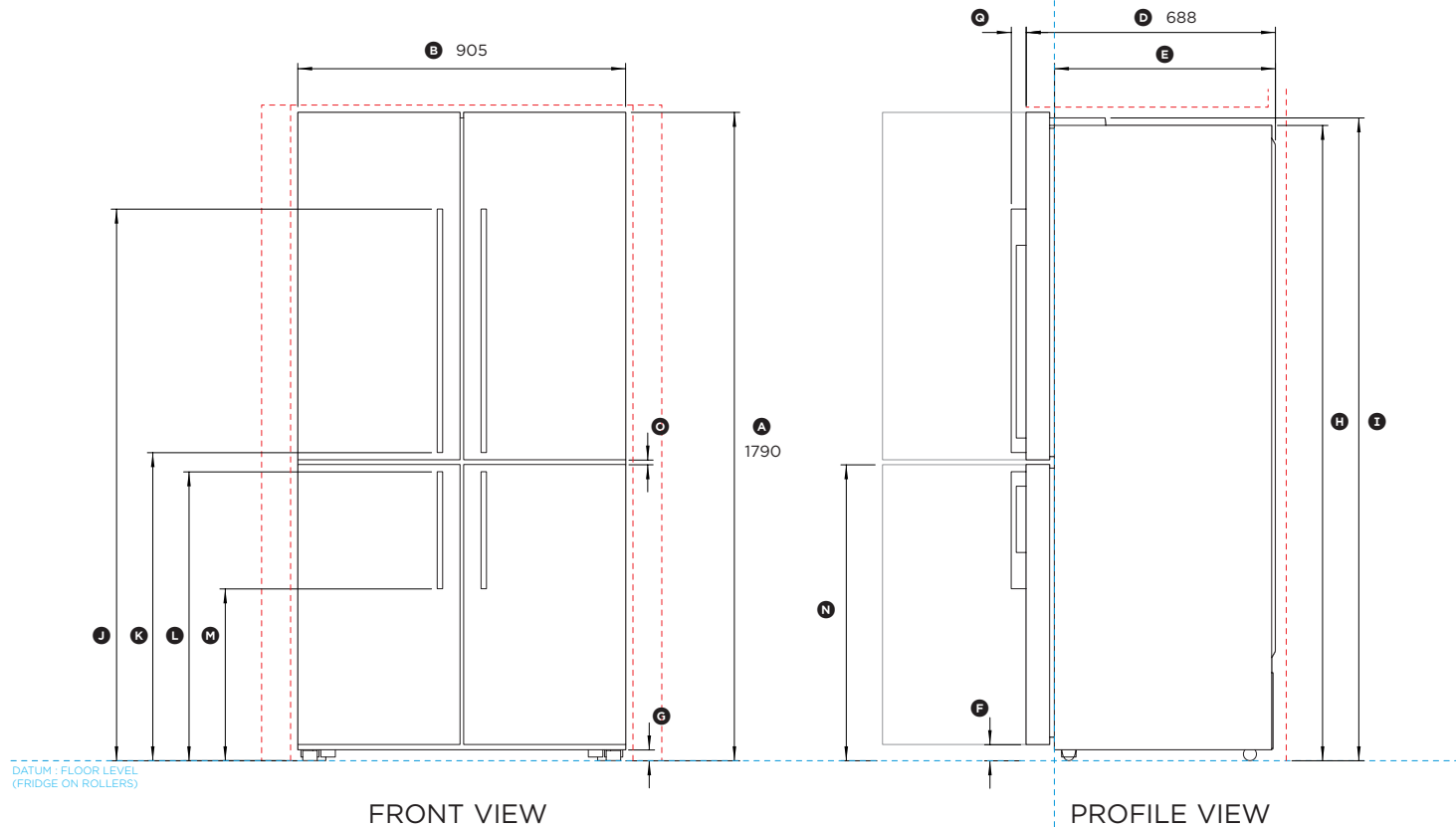
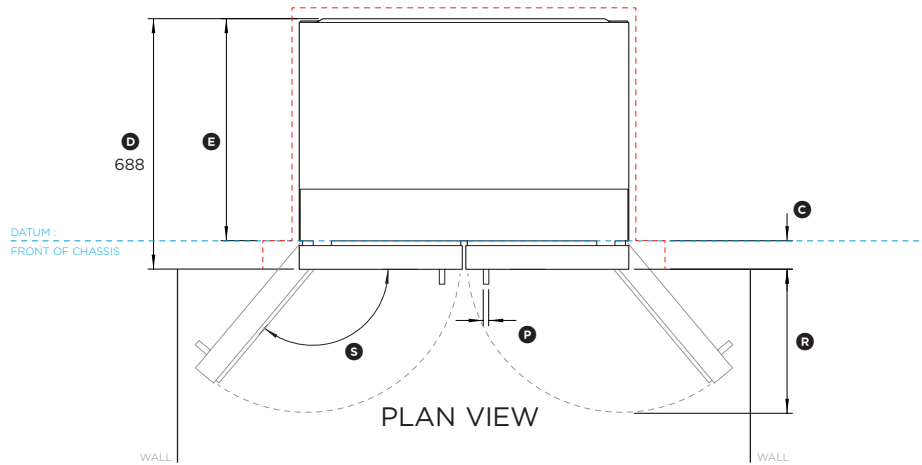
IMPORTANT NOTE: Throughout this guide, dimensions may vary by ±2mm (1/16"). Please read the installation manual for detailed information on installing the product. For full installation instructions & specifications visit [www.fisherpaykel.com](http://www.fisherpaykel.com)



# FISHER & PAYKEL

## DATA SHEET 905mm ActiveSmart™ Refrigerator - Quad Door

Model no:  
**RF605QDVX1, RF203QDJVX1**  
(refer page 1 for imperial measurements)



Product Dimensions	mm
Ⓐ Overall height* of fridge	1790
Ⓑ Overall width of fridge	905
Ⓒ Depth of fridge door and gasket (excludes handle)	78
Ⓓ Depth of fridge door and chassis (excludes handle)	688
Ⓔ Depth of fridge chassis (does not include fridge door)	610
Ⓕ Height of from bottom datum to bottom of bottom door	44
Ⓖ Height of feet (adjustable)	30
Ⓗ Height from bottom datum to top of chassis	1754
Ⓘ Height from bottom datum to top of hinge cover	1775
Ⓚ Height from bottom datum to top of top handle	1522
Ⓛ Height from bottom datum to bottom of top handle	850
Ⓜ Height from bottom datum to top of bottom handle	798
Ⓝ Height from bottom datum to bottom of bottom handle	474
Ⓟ Height from bottom datum to top of bottom door	818
Ⓠ Gap between top and bottom doors	13
Ⓡ Thickness of handles	16
Ⓢ Depth of handle (measured from front of door)	41
Ⓣ Depth of door (open at 90°) (measured from front of door)	396
Ⓤ Rotation of door (open)	130°

\* Includes mounted feet

Minimum Clearances	mm
Minimum height of cavity	1810
Minimum side clearance installed flush with chassis	20
Side clearance - installed flush with door - full rotation	100
Rear clearance (including evaporator tray)	30
Minimum side clearance to wall	340

INDICATES PRODUCT DATUM -----  
INDICATES CABINETRY CLEARANCES -----

DATE: 16.10.2017

IMPORTANT NOTE: Throughout this guide, dimensions may vary by ±2mm (1/16"). Please read the installation manual for detailed information on installing the product. For full installation instructions & specifications visit [www.fisherpaykel.com](http://www.fisherpaykel.com)