

# Integrated Dishwasher, 24"

Series 5 | Integrated

Panel Ready

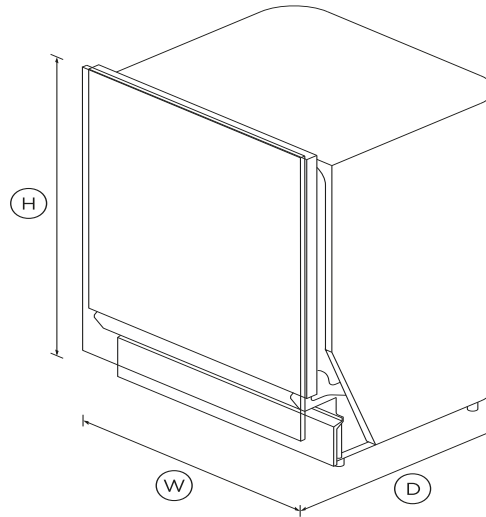


Offering a superior wash performance, this Dishwasher is panel ready and designed to be integrated into your kitchen for a seamless look.

- Customize with your own front panel and handle to match your kitchen cabinetry
- Six wash programs to suit any load, from Delicate to Heavy
- Auto option senses the optimum wash cycle for your dishes

## DIMENSIONS

Height	32 <sup>5</sup> / <sub>16</sub> - 36 <sup>1</sup> / <sub>2</sub> "
Width	23 <sup>3</sup> / <sub>4</sub> "
Depth	22 <sup>3</sup> / <sub>4</sub> "



## FEATURES & BENEFITS

### Sized to suit

Install this fully integrated dishwasher to tall (American size) or short (Euro/ADA size) counter heights, ensuring minimal gaps. Customize with a front panel to match kitchen cabinetry.

### A quality wash

This dishwasher offers six wash programs including Auto, which automatically senses the optimal wash cycle for your dishes. A three stage filtration system delivers a superior clean, while the rinse aid indicator reminds you to top up for squeaky-clean

dishes.

### Flexible stacking

Flexible, adjustable storage lets you stack even large items with ease. This model features a removable cutlery tray, height adjustable middle rack, cup holders and wine glass supports.

### Quiet and reliable

Running at a very low decibel level, this dishwasher does its job without making a fuss. The combination of clever technology and simple mechanics offers greater reliability and superior wash performance.

## SPECIFICATIONS

### Accessories

Kickstrip	Black
-----------	-------

### Capacity and Loading

Accommodates round plates	10 1/4"
Fold down tines	•
Place settings	12

### Consumption

Energy rating	Energy star certified
---------------	-----------------------

### Controls

Child lock	•
End of cycle beeps	•
Energy saving delay start	•
Rinse aid indicator light	•

### Features

Quiet operation •

---

**Power requirements**

Amperage 10

---

**Product dimensions**

Depth 22 <sup>3</sup>/<sub>4</sub> "

Height 32 <sup>5</sup>/<sub>16</sub> - 36 <sup>1</sup>/<sub>2</sub> "

Width 23 <sup>3</sup>/<sub>4</sub> "

---

**Warranty**

Parts and labor 2 years

---

**Wash Programs**

Eco •

Fast •

Heavy •

Medium •

Number of wash programs 6

---

**Water connection**

Water pressure 0.03 - 1Mpa

---

SKU 81871

---

**Other product downloads available at fisherpaykel.com**

- [↓](#) Specification Guide
- [↓](#) Quick Start Guide
- [↓](#) User Guide
- [↓](#) Service & Warranty Booklet
- [↓](#) Guide De Démarrage Rapide
- [↓](#) Energy Label
- [↓](#) Installation Guide



**A PEACE OF MIND SALE**

24 Hours 7 Days a Week Customer Support

T 1.888.936.7872 **W**www.fisherpaykel.com

TEST The product dimensions and specifications in this page apply to the specific product and model. Under our policy of continuous improvement, these dimensions and specifications may change at any time. You should therefore check with Fisher & Paykel's Customer Care Centre to ensure this page correctly describes the model currently available. ? Fisher & Paykel Appliances Ltd 2020