

# FISHER & PAYKEL

## DATA SHEET Steam Oven with Trim Kit

Model no:

**OS24NDB1 with TK48ONDB1, OS24NDBB1 with TK48ONDB1**

(refer page 2 for metric measurements)

Product Dimensions	Inches
Ⓐ Overall height of oven and trim	18 13/16"
Ⓑ Overall width of oven	23 1/2"
Ⓒ Overall depth of oven and trim (excludes handle and front metal trim)	22 1/4"
Ⓓ Depth of oven frame and trim surround (excludes handle and front metal trim)	7/8"
Ⓔ Depth of oven chassis and trim brackets	21 3/8"
Ⓕ Height of oven chassis and trim brackets	18 3/8"
Ⓖ Width of oven chassis and trim brackets	21 7/8"
Ⓗ Height from bottom datum to top of oven door	14 7/16"
Ⓙ Height of control panel	3 15/16"
Ⓚ Height of metal cap on control panel	13/16"
Ⓛ Height from bottom datum to centreline of handle	13 1/2"
Ⓜ Width of handle	22 1/4"
Ⓝ Depth of handle (measured from front of door)	1 5/8"
Ⓞ Thickness of handle	5/8"
Ⓟ Distance from bottom datum to top of trim grille	13/16"
Ⓠ Distance from bottom datum to bottom of door glass	1"
Ⓡ Depth of door when opened (measured from front of door)	12 5/8"
Ⓡ Height of trim support brackets	13/16"

Minimum Clearances	Inches
Minimum inside height of cavity (proud installation)	18 1/2"
Minimum inside depth of cavity (proud installation)	22 1/16"
Minimum inside width of cavity	22 1/16"
Overall height of cabinetry (cavity around trim surround)	18 1/8"
Overall width of cabinetry (cavity around trim surround)	23 5/8"
Rear ventilation air vent depth*	2"
Rear ventilation air vent width*	22 1/16"

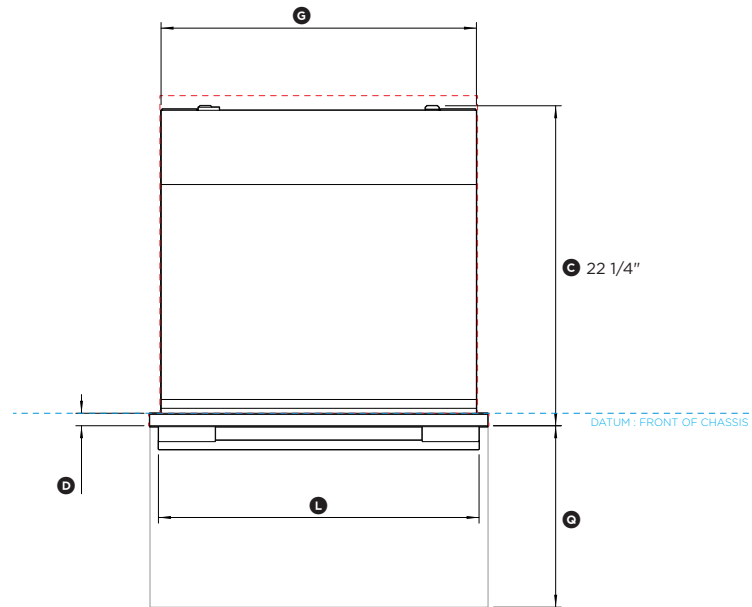
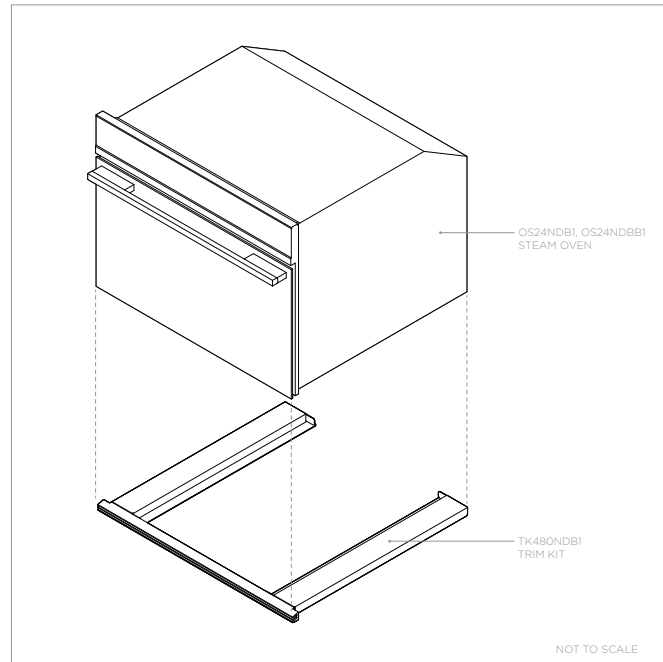
\*A rear ventilation air vent totalling 43.4in<sup>2</sup> is required. The air vent must be located at the rear of cabinet, it can be positioned at the base, sides, back or top of the cavity.

IMPORTANT NOTE: For full installation and clearance details please refer to our installation manual.

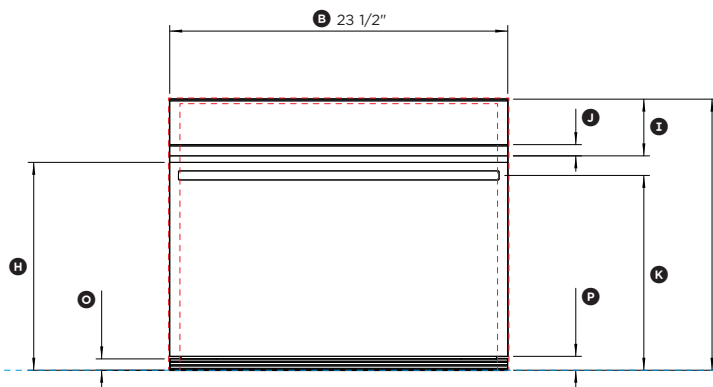
INDICATES PRODUCT DATUM -----  
INDICATES CABINETRY CLEARANCES - - - - -

DATE: 17.06.2019

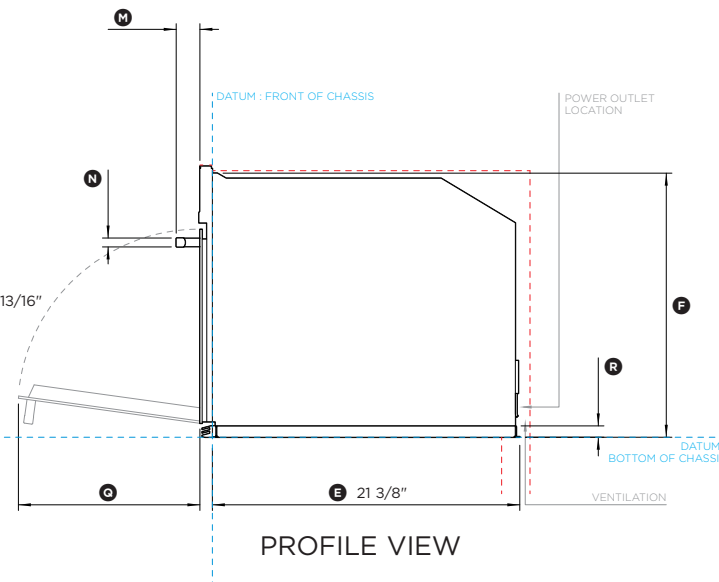
IMPORTANT NOTE: Throughout this guide, dimensions may vary by ±2mm (1/16"). Please read the installation manual for detailed information on installing the product. For full installation instructions & specifications visit [fisherpaykel.com](http://fisherpaykel.com)



PLAN VIEW



FRONT VIEW



PROFILE VIEW

# FISHER & PAYKEL

## DATA SHEET Steam Oven with Trim Kit

Model no:

**OS24NDB1 with TK480NDB1, OS24NDBB1 with TK480NDB1**

(refer page 1 for imperial measurements)

### Product Dimensions

	mm
Ⓐ Overall height of oven and trim	478
Ⓑ Overall width of oven	596
Ⓒ Overall depth of oven and trim (excludes handle and front metal trim)	564
Ⓓ Depth of oven frame and trim surround (excludes handle and front metal trim)	22
Ⓔ Depth of oven chassis and trim brackets	542
Ⓕ Height of oven chassis and trim brackets	466
Ⓖ Width of oven chassis and trim brackets	556
Ⓗ Height from bottom datum to top of oven door	367
Ⓙ Height of control panel	100
Ⓚ Height of metal cap on control panel	20
Ⓛ Height from bottom datum to centreline of handle	344
Ⓜ Width of handle	565
Ⓝ Depth of handle (measured from front of door)	42
Ⓞ Thickness of handle	16
Ⓟ Distance from bottom datum to top of trim grille	20
Ⓠ Distance from bottom datum to bottom of door glass	25
Ⓡ Depth of door when opened (measured from front of door)	320
Ⓢ Height of trim support brackets	20

### Minimum Clearances

	mm
Minimum inside height of cavity (proud installation)	470
Minimum inside depth of cavity (proud installation)	560
Minimum inside width of cavity	560
Overall height of cabinetry (cavity around trim surround)	460
Overall width of cabinetry (cavity around trim surround)	600
Rear ventilation air vent depth*	50
Rear ventilation air vent width*	560

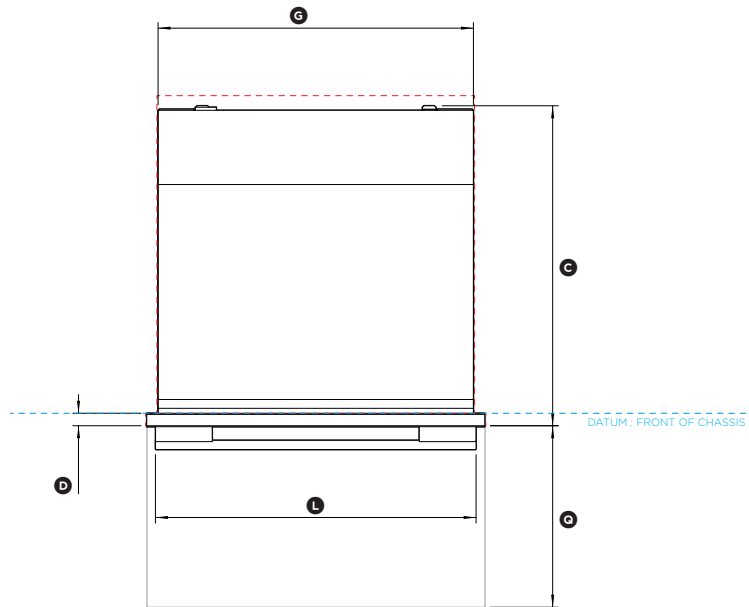
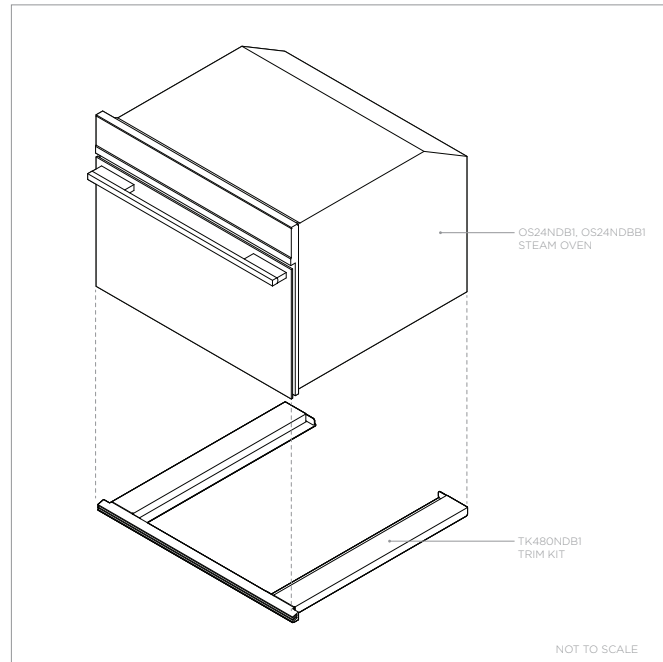
\*A rear ventilation air vent totalling 280cm<sup>2</sup> is required. The air vent must be located at the rear of cabinet, it can be positioned at the base, sides, back or top of the cavity.

IMPORTANT NOTE: For full installation and clearance details please refer to our installation manual.

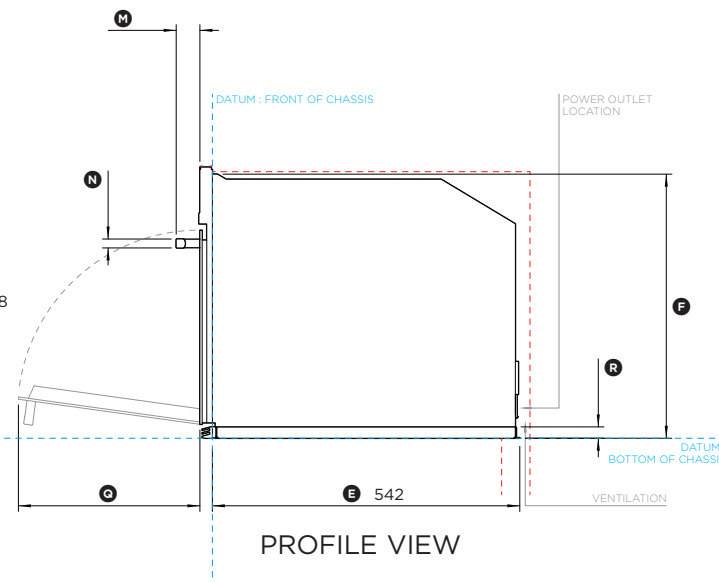
INDICATES PRODUCT DATUM -----  
INDICATES CABINETRY CLEARANCES -----

DATE: 17.06.2019

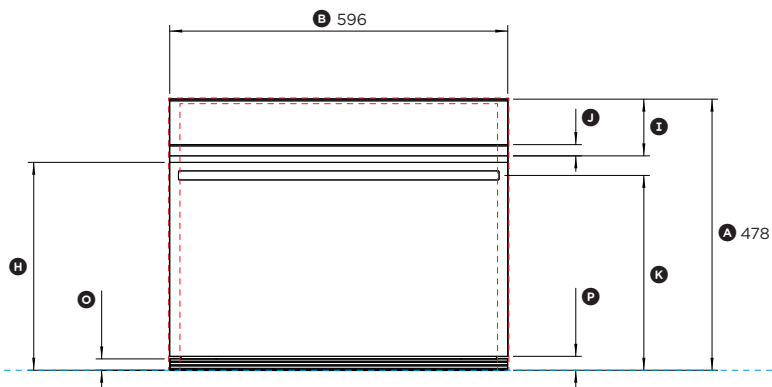
IMPORTANT NOTE: Throughout this guide, dimensions may vary by ±2mm (1/16"). Please read the installation manual for detailed information on installing the product. For full installation instructions & specifications visit [fisherpaykel.com](http://fisherpaykel.com)



PLAN VIEW



PROFILE VIEW



FRONT VIEW

