

# 24" Series 9 Contemporary Built-in Coffee Maker

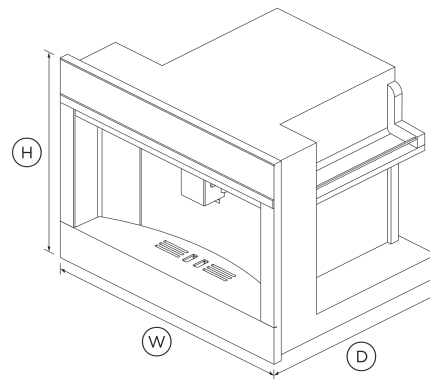
Contemporary



- Part of our suite of companion products, designed to match aesthetically for flexible configurations

## DIMENSIONS

|        |          |
|--------|----------|
| Height | 18 "     |
| Width  | 23 1/2 " |
| Depth  | 18 7/8 " |



## FEATURES & BENEFITS

### Coffee choice

Fisher & Paykel's Coffee Maker has 13 different options to suit individual taste and selection - from Americano to Macchiato

### SELF CLEANING

The Coffee Maker has a self-cleaning function, and comes with a removable drip tray and a waste container for used coffee grounds.

## COMPLEMENTARY DESIGN

Finished in black reflective glass with a polished metal trim, this Coffee Maker matches the full Companion product set and the rest of the Fisher & Paykel kitchen family.

### Coffee Your Way

Program an automatic setting to start up at the same time each day and memorize your favorite coffee. The intuitive touch display includes refill, cleaning and maintenance data, while twin LED lights illuminate your beverages so you can see what you are doing on those dark mornings.

## SIZED TO SUIT

This 24" Built-in Coffee Maker is perfect for the compact kitchen and can be placed virtually anywhere. All Companion products can be installed at a convenient height to suit your kitchen design and preference.

## BARISTA-STYLE COFFEE

The conical burr grinder delivers a consistent grind for the perfect coffee. Set it to suit your preference.

## SPECIFICATIONS

### Accessories (included)

|                                    |         |
|------------------------------------|---------|
| Coffee spoon                       | •       |
| Descaling agent bottle             | •       |
| Extractable steam outlet           | •       |
| Thermal milk jug (Auto Cappuccino) | 0.125 L |
| Water filter                       | •       |

### Accessories (sold separately)

Our built-in coffee maker pours a delicious coffee, however you take it. Pairs perfectly with 24" ovens and other companion products.

- Make barista-standard coffee just the way you like it, with 13 options from Americano to Macchiato or Latte
- Adjustable coffee strength, temperature and coffee cup sizes
- Your favorite coffee can be memorized and set to start at the same time each day, so it's ready when you are
- With self-cleaning function for an effortless clean

|                         |                   |
|-------------------------|-------------------|
| Matching Trim Kit       | <b>TK3ONDB1</b>   |
| Optional lower trim kit | <b>Part 81662</b> |

|                                   |            |
|-----------------------------------|------------|
| Auto Re-Ignition (Y/N)            | <b>N/A</b> |
| Ignition Type (Pilot, Electronic) | <b>N/A</b> |

|                                    |               |
|------------------------------------|---------------|
| Integrated cup warmer shelf        | •             |
| Integrated storage for accessories | •             |
| Pump power                         | <b>50</b>     |
| Pump pressure                      | <b>15 Bar</b> |

**Capacity**

|                                |                          |
|--------------------------------|--------------------------|
| Coffee bean container capacity | <b>0.75 lbs</b>          |
| Drip tray capacity             | <b>0.25 gallons</b>      |
| Grounds container capacity     | <b>14 cups of coffee</b> |
| Number of cups                 | <b>1 or 2</b>            |
| Usable capacity                | <b>0 cu ft</b>           |
| Water tank capacity            | <b>0.625 L</b>           |

**Functions**

|                         |                   |
|-------------------------|-------------------|
| Americano               | •                 |
| Cappuccino              | •                 |
| Coffee                  | •                 |
| Cup size levels         | <b>4 + manual</b> |
| Double espresso         | •                 |
| Espresso                | •                 |
| Espresso macchiato      | •                 |
| Flat white              | •                 |
| Hot milk                | •                 |
| Hot water               | •                 |
| Latte                   | •                 |
| Latte macchiato         | •                 |
| Long black              | •                 |
| Personalised coffee     | •                 |
| Takes pre ground coffee | •                 |

**Power Requirements**

|                  |              |
|------------------|--------------|
| Amperage         | <b>10 A</b>  |
| Supply frequency | <b>50 Hz</b> |
| Supply voltage   | <b>120 V</b> |

**Cleaning**

|  |   |
|--|---|
| Easy to remove coffee grinds container               | • |
| Easy to remove stainless steel hot water/ steam pipe | • |
| Removable drip tray with level indicator             | • |
| Self-clean function                                  | • |

**Product Dimensions**

|        |                 |
|--------|-----------------|
| Depth  | <b>18 7/8 "</b> |
| Height | <b>18 "</b>     |
| Width  | <b>23 1/2 "</b> |

**Controls**

|                               |             |
|-------------------------------|-------------|
| Cleaning reminder             | •           |
| Coffee grounds full reminder  | •           |
| Intuitive information display | •           |
| LED lights                    | <b>4</b>    |
| Multi-language interface      | <b>true</b> |
| Refill coffee bean reminder   | •           |
| Water tank empty indicator    | •           |

**Performance**

|                                       |  |
|---------------------------------------|--|
| Coffee temperatures                   | <b>5 x setting</b>   |
| dBA                                   | <b>45 dBA</b>  |
| Grinder                               | <b>Stainless steel conical burr</b>                        |
| Grinding coarseness                   | <b>13 positions</b>  |
| Heating system                        | <b>Thermablock with stainless steel tube &amp; steamer</b> |
| Heating system power (coffee / steam) | <b>1200 W</b>  |

|     |              |
|-----|--------------|
| SKU | <b>82300</b> |
|-----|--------------|

The product dimensions and specifications in this page apply to the specific product and model. Under our policy of continuous improvement, these dimensions and specifications may change at any time. You should therefore check with Fisher & Paykel's Customer Care Centre to ensure this page correctly describes the model currently available. © Fisher & Paykel Appliances Ltd 2020

Other product downloads available at [fisherpaykel.com](https://fisherpaykel.com)

- [↓](#) DWG
- [↓](#) DWG
- [↓](#) DWG

**Features**

- [↓ DXF](#)
- [↓ DXF](#)
- [↓ DXF](#)
- [↓ Archicad](#)
- [↓ Archicad - 24" Trim](#)
- [↓ Archicad - 30" Trim](#)
- [↓ Data Sheet - 30" Trim \(English\)](#)
- [↓ Data Sheet - Bottom Trim \(English\)](#)
- [↓ Data Sheet \(English\)](#)
- [↓ Installation Guide - Cavity Trim Kit \(English\)](#)
- [↓ Installation Guide \(English\)](#)
- [↓ Installation Guide \(Canadian French\)](#)
- [↓ Revit](#)
- [↓ Revit - 24" Trim](#)
- [↓ Revit - 30" Trim](#)
- [↓ Rhino](#)
- [↓ Rhino - 24" Trim](#)
- [↓ Rhino - 30" Trim](#)
- [↓ Right To Repair Declaration \(English, Canadian French\)](#)
- [↓ SketchUp](#)
- [↓ SketchUp - 24" Trim](#)
- [↓ SketchUp - 30" Trim](#)
- [↓ User Guide \(English\)](#)

Our In-use Energy Carbon Emissions Estimate is designed to assist customers in making informed purchasing decisions when comparing different Fisher & Paykel products. For example, a heat pump dryer typically has a lower In-use Energy Carbon Emissions Estimate than a vented dryer.



**A PEACE OF MIND SALE**  
**24 Hours 7 Days a Week Customer Support**  
T 1.888.936.7872 W [www.fisherpaykel.com](http://www.fisherpaykel.com)

#### Where applicable:

All appliances use energy, and energy usage typically generates carbon emissions. **Fisher & Paykel Appliances' In-use Energy Carbon Emissions Estimate** indicates carbon emissions from a product's in-use energy. This is calculated either annually or per cycle, using the product's market-specific energy label energy consumption data multiplied by the carbon emissions factor for energy in your country or region.