

24" Series 9 Minimal Built-in Coffee Maker

Minimal

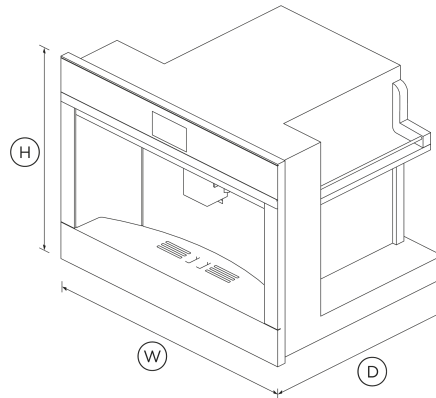


Our built-in coffee maker pours a delicious coffee, however you take it. Pairs perfectly with 24" ovens and other companion products.

- Make barista-standard coffee just the way you like it, with 13 options from Americano to Macchiato or Latte
- Your favorite coffee can be memorized and set to start at the same time each day, so it's ready when you are
- With self-cleaning function for an effortless clean
- Part of our suite of companion products, designed to match aesthetically for flexible configurations

DIMENSIONS

Height	18 "
Width	23 1/2 "
Depth	18 7/8 "



FEATURES & BENEFITS

Sized To Suit

This 24" Built-in Coffee Maker is perfect for the compact kitchen and can be placed virtually anywhere. Companion products share standard dimensions and can be installed in multiple configurations to suit your kitchen design and preference.

Coffee Choice

Your Coffee Maker has 13 different choices to suit your taste and selection - from Espresso to Latte.

Barista-Style Coffee

The conical burr grinder delivers a consistent grind for the perfect coffee. Set it to suit your preference.

Self-Cleaning

The Coffee Maker has a self-cleaning function and comes with a removable drip tray and a waste container for used coffee grounds.

Personalise Your Cup

Program your Coffee Maker to start up at the same time every day and make your favorite coffee - then save it as a setting.

Beauty Of Choice

With the choice of a stylish stainless steel or elegant black trim, our Companion products help you achieve a coherent kitchen aesthetic that suits your design style.

SPECIFICATIONS

Accessories (included)

Coffee spoon	•
Descaling agent bottle	•
Extractable steam outlet	•
Thermal milk jug (Auto Cappuccino)	0.125 L
Water filter	•

Accessories (sold separately)

Matching Trim Kit	TK763ONDB1 / TK30NDBB1
Optional lower trim kit	Part 81662

Capacity

Coffee bean container capacity	0.75 lbs
Drip tray capacity	0.25 gallons
Grounds container capacity	14 cups of coffee
Number of cups	1 or 2
Water tank capacity	0.625 L

Flat white	•
Hot milk	•
Hot water	•
Latte	•
Latte macchiato	•
Long black	•
Number of functions	13
Personalised coffee	•
Takes pre ground coffee	•

Product Dimensions

Depth	18 7/8 "
Height	18 "
Width	23 1/2 "

Cleaning

Easy to remove coffee grinds container	•
Easy to remove stainless steel hot water/ steam pipe	•
Removable drip tray with level indicator	•

Performance

Coffee temperatures	5 x setting
Grinder	Stainless steel conical burr
Grinding coarseness	13 positions
Heating system	Thermablock with stainless steel tube & steamer
Heating system power (coffee / steam)	1200 W
Integrated cup warmer shelf	•
Integrated storage for accessories	•
Pump power	50
Pump pressure	15 Bar

SKU	81925
-----	-------

The product dimensions and specifications in this page apply to the specific product and model. Under our policy of continuous improvement, these dimensions and specifications may change at any time. You should therefore check with Fisher & Paykel's Customer Care Centre to ensure this page correctly describes the model currently available. © Fisher & Paykel Appliances Ltd 2020

Controls

Cleaning reminder	•
Coffee grounds full reminder	•
Intuitive information display	•
LED lights	4
Multi-language interface	true
Refill coffee bean reminder	•
Water tank empty indicator	•

Other product downloads available at fisherpaykel.com

- [↓](#) DWG
- [↓](#) DWG
- [↓](#) DWG
- [↓](#) DXF
- [↓](#) DXF
- [↓](#) DXF
- [↓](#) Archicad
- [↓](#) Archicad - 24" Trim
- [↓](#) Installation Guide - Cavity Trim Kit (English)
- [↓](#) Installation Guide (English)
- [↓](#) Installation Guide (Canadian French)
- [↓](#) Planning Guide - 30" Minimal Built-in Ovens and Companions (English)
- [↓](#) Planning Guide - 30" Minimal Built-in Ovens and Companions (Canadian French)
- [↓](#) Planning Guide - 30" Minimal Built-in Ovens and Companions (Spanish)

Functions

Americano	•
Cappuccino	•
Coffee	•
Cup size levels	4 + manual
Double espresso	•
Espresso	•
Espresso macchiato	•

Power Requirements

Amperage	11.25 A
Supply frequency	50 Hz
Supply voltage	120 V

- [↓](#) Revit
- [↓](#) Revit - 24" Trim
- [↓](#) Revit - 30" Trim
- [↓](#) Rhino
- [↓](#) Rhino - 24" Trim
- [↓](#) Rhino - 30" Trim
- [↓](#) Right To Repair Declaration (English, Canadian French)
- [↓](#) SketchUp
- [↓](#) SketchUp - 24" Trim
- [↓](#) SketchUp - 30" Trim
- [↓](#) User Guide (English)

Where applicable:

All appliances use energy, and energy usage typically generates carbon emissions. **Fisher & Paykel Appliances' In-use Energy Carbon Emissions Estimate** indicates carbon emissions from a product's in-use energy. This is calculated either annually or per cycle, using the product's market-specific energy label energy consumption data multiplied by the carbon emissions factor for energy in your country or region.

Our In-use Energy Carbon Emissions Estimate is designed to assist customers in making informed purchasing decisions when comparing different Fisher & Paykel products. For example, a heat pump dryer typically has a lower In-use Energy Carbon Emissions Estimate than a vented dryer.



A PEACE OF MIND SALE
24 Hours 7 Days a Week Customer Support
T 1.888.936.7872 W www.fisherpaykel.com