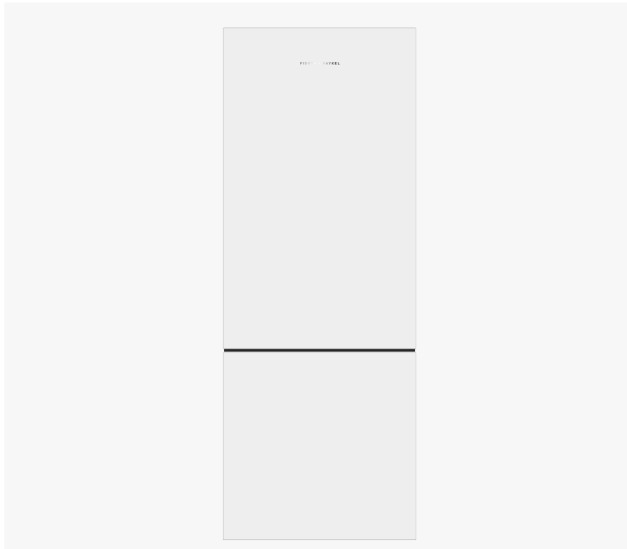


# 380L Series 5 Refrigerator Freezer

Contemporary

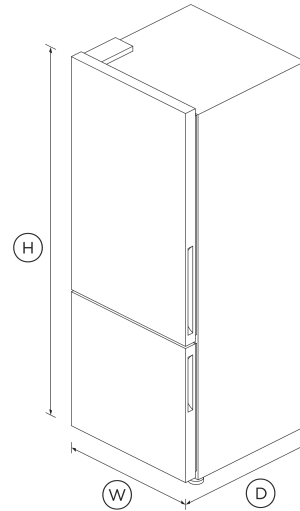


Compact and stylish in white stainless steel with concealed handles, complementing any kitchen design.

- ActiveSmart™ technology helps keep food fresher for longer by constantly maintaining the ideal temperature.
- Ultra flat door conceals handles for streamlined look
- Spacious bottom freezer with easy-slide internal drawers to separate storage
- Choose which side you'd like your door hinge on to suit your kitchen layout

## DIMENSIONS

Height	1720 mm
Width	635 mm
Depth	695 mm



## SPECIFICATIONS

### Capacity

Total gross capacity	403 L
Volume	380 L
Volume freezer	111 L
Volume refrigerator	269 L

### Connected Features

Cyber security updates until	04 / 03 / 2028
------------------------------	----------------

## Consumption

Energy rating	3 star
Energy usage	465kWh/year
In-use energy carbon emissions estimate	283.7kgCO2e/year

## Features

Adjustable door shelves	4
Adjustable glass shelves	3
Covered door shelves	2
Door alarm	•
Front levelling feet	•
Fruit and vegetable bins	2
LED lighting	•
Rear rollers	•
Smart appliance	•
SmartTouch control panel	•

## Freezer Features

Door alarm	•
Ice trays	2
Large plastic bins	•
Slide Out Pastry Tray	•

## Performance

ActiveSmart™ Foodcare	•
Adaptive defrost	•
Frost free freezer	•

**Power requirements**

Rated current	10 A
Supply frequency	50 Hz
Supply voltage	230 V

**Product dimensions**

Depth	695 mm
Height	1720 mm
Height to top of cabinet	1698 mm
Height to top of door	1720 mm
Minimum air clearance - at rear	30 mm
Minimum air clearance - each side	20 mm
Minimum air clearance - on top	50 mm
Width	635 mm

SKU 26332

The product dimensions and specifications in this page apply to the specific product and model. Under our policy of continuous improvement, these dimensions and specifications may change at any time. You should therefore check with Fisher & Paykel's Customer Care Centre to ensure this page correctly describes the model currently available. © Fisher & Paykel Appliances Ltd 2020

**Other product downloads available at fisherpaykel.com**

- [↓](#) DWG
- [↓](#) DXF
- [↓](#) Data Sheet (English)

- [↓](#) Energy Label
- [↓](#) Installation Guide (English)
- [↓](#) User Guide (English)

**Where applicable:**

All appliances use energy, and energy usage typically generates carbon emissions. **Fisher & Paykel Appliances' In-use Energy Carbon Emissions Estimate** indicates carbon emissions from a product's in-use energy. This is calculated either annually or per cycle, using the product's market-specific energy label energy consumption data multiplied by the carbon emissions factor for energy in your country or region.

Our In-use Energy Carbon Emissions Estimate is designed to assist customers in making informed purchasing decisions when comparing different Fisher & Paykel products. For example, a heat pump dryer typically has a lower In-use Energy Carbon Emissions Estimate than a vented dryer.



**A PEACE OF MIND SALE**  
**24 Hours 7 Days a Week Customer Support**  
 T 1300 650 590 W [www.fisherpaykel.com](http://www.fisherpaykel.com)