

# FISHER & PAYKEL

## PRELIMINARY SPECIFICATION GUIDE

## WALL RANGEHOOD, 90CM



### OVERVIEW

Built to last, this 90cm wall rangehood is made from stylish stainless steel and glass, and can be installed in a variety of kitchen layouts. A powerful and adaptive motor provides effective extraction of steam, odours and grease. With smart technology ensuring stable air extraction, this rangehood adapts to perform in any home, including high-rise apartments and large apartment buildings.

### MODELS

Wall Rangehood, 90cm, Box Chimney  
HC90BCX3

### SERIES & STYLE

Series 7  
Contemporary Style

### FEATURES

- ① Designed to match our Minimal and Contemporary style appliances
- ② Stable air extraction for all sized homes, including highrise apartments and large apartment buildings
- ③ Three fan speeds plus a boost function for optimal extraction
- ④ Maximum airflow of 20 m<sup>3</sup>/min
- ⑤ Made from high-quality stainless steel and glass
- ⑥ Grease filtration system effectively captures grease and oil from the air stream
- ⑦ Intuitive gesture control allows user to turn the hood on and off without touching it
- ⑧ Air quality sensor and air purification function ensures clean air is maintained in the cooking area

# FISHER & PAYKEL

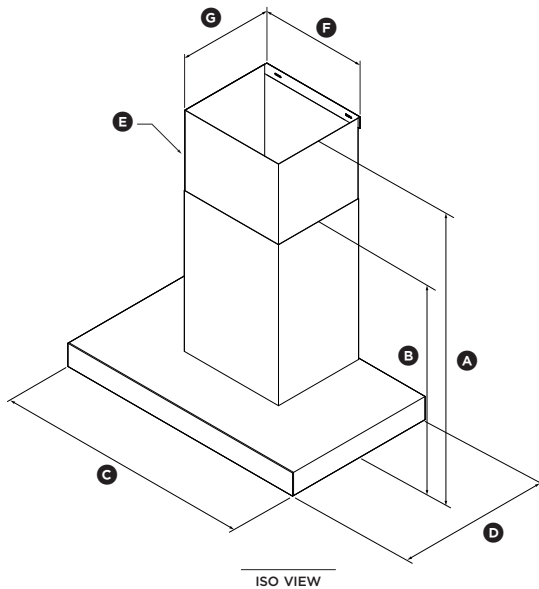
## PRELIMINARY SPECIFICATION GUIDE

## WALL RANGEHOOD, 90CM

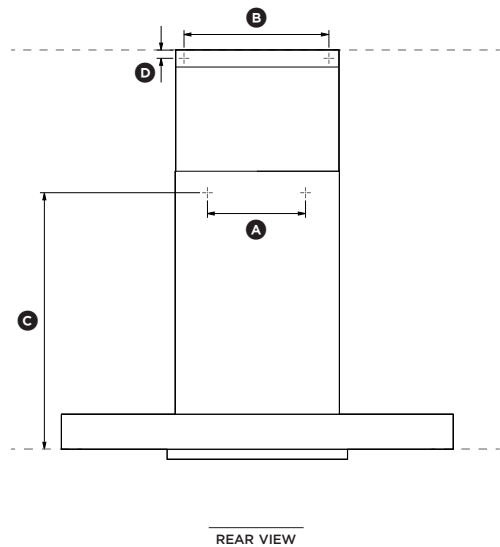
### SPECIFICATIONS

Model No.	HC90BCX3 (Airflow 20m <sup>3</sup> /min)
Dimensions	H 620 - 1000mm x W 895mm x D 520mm
Diameter of vent connection	180mm
Weight	27kg
Install options	Externally ducted exhaust air
Minimum distance above cooktops	min. 650 - max. 700
<b>Electrical</b>	
Supply	220-240V, 50Hz
Connection	3 pin plug
<b>Light source</b>	
Type	1x LED 3W
Temperature	12000K

### PRODUCT DIMENSIONS



### ATTACHMENT DIMENSIONS



		mm
(A)	Maximum overall height of rangehood	1000
(B)	Minimum overall height of rangehood	620
(C)	Overall width of rangehood	895
(D)	Overall depth of rangehood	520
(E)	Diameter of ducting outlet	180
(F)	Width of chimney	375
(G)	Depth of chimney	327

		mm
(A)	Middle attachment point width	224
(B)	Upper attachment point width	334
(C)	Middle attachment point to bottom datum	585
(D)	Middle of upper attachment point to top datum	20