

Freestanding Quad Door Refrigerator Freezer , 90.5cm, 538L

Series 7 | Contemporary

Stainless Steel | French hinge

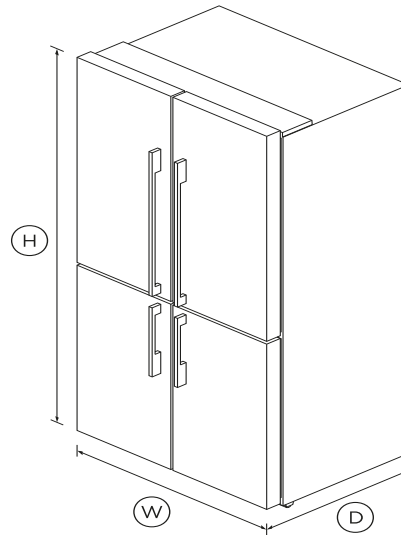


Featuring three separate compartments, including an independent Variable Temperature Zone, for unbelievably flexible storage.

- Variable Temperature Zone lets you change a compartment to Fridge, Chill, Soft Freeze or Freezer for optimal storage
- ActiveSmart™ technology helps keep food fresher for longer by constantly maintaining the ideal temperature.
- Spacious bottom freezer with easy-slide internal drawers to separate storage

DIMENSIONS

Height	1790mm
Width	905mm
Depth	688mm



FEATURES & BENEFITS

VARIABLE TEMPERATURE ZONE

<>

CHILL MODE

<>

SOFT FREEZE MODE

<>

ACTIVESMART™ FOODCARE

<>

BEAUTY OF CHOICE

<>

DESIGN QUALITY

<>

SPECIFICATIONS

Capacity

Total gross capacity	605L
Volume	538L
Volume refrigerator	341L

Consumption

Energy rating	3.5 star
Energy usage	460kWh/year

Features

Adjustable door shelves	6
Adjustable glass shelves	4
Cantilevered glass shelves	4
Covered door shelves	2
Door alarm	•
Front levelling feet	•
Fruit and vegetable bins	2
Full extension runners	•
LED lighting	•
Rear rollers	•
SmartTouch control panel	•
Stackable bottle holders	4

Freezer Features

Bottle chill	•
Door alarm	•
Fast freeze	•
Full extension clear bins	3
Ice bin and scoop	•
LED lighting	•

Performance

ActiveSmart™ Foodcare	•
ActiveSmart™ technology	•
Automatic defrost	•
Frost free freezer	•
Humidity control system	•
Inverter controlled compressor	•
R600a refrigerant	•
Sabbath mode	•
Variable temperature	•
Variable temperature zones	2

Power requirements

Supply voltage	220V
----------------	-------------

Product dimensions

Depth	688mm
Height	1790mm
Height to top of cabinet	1775mm
Height to top of door	1790mm
Width	905mm

Warranty

Parts and labour	2 years
------------------	----------------

SKU	26093
-----	--------------

TEST The product dimensions and specifications in this page apply to the specific product and model. Under our policy of continuous improvement, these dimensions and specifications may change at any time. You should therefore check with Fisher & Paykel's Customer Care Centre to ensure this page correctly describes the model currently available. © Fisher & Paykel Appliances Ltd 2020

Other product downloads available at fisherpaykel.com

- [↓](#) User Guide
- [↓](#) User Guide
- [↓](#) Service & Warranty
- [↓](#) Installation Guide
- [↓](#) Data Sheet Freestanding Quad Door Fridge Freezer

**A PEACE OF MIND SALE****24 Hours 7 Days a Week Customer Support****T 1300 650 590 W**www.fisherpaykel.com