

Built-in Coffee Maker, 24"

Series 9 | Minimal

Black

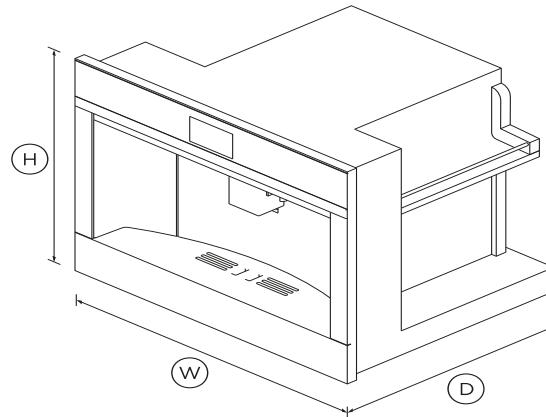


Our built-in coffee maker pours a delicious coffee, however you take it. Pairs perfectly with 24" ovens and other companion products.

- Make barista-standard coffee just the way you like it, with 13 options from Americano to Macchiato or Latte
- Your favorite coffee can be memorized and set to start at the same time each day, so it's ready when you are
- With self-cleaning function for an effortless clean
- Part of our suite of companion products, designed to match aesthetically for flexible configurations

DIMENSIONS

Height	18"
Width	23 1/2"
Depth	18 7/8"



FEATURES & BENEFITS

Sized To Suit

This 24" Built-in Coffee Maker is perfect for the compact kitchen and can be placed virtually anywhere. Companion products share standard dimensions and can be installed in multiple configurations to suit your kitchen design and preference.

Coffee Choice

Your Coffee Maker has 13 different choices to suit your taste and selection - from Espresso to Latte.

Barista-Style Coffee

The conical burr grinder delivers a consistent grind for the

perfect coffee. Set it to suit your preference.

Self-cleaning

The Coffee Maker has a self-cleaning function and comes with a removable drip tray and a waste container for used coffee grounds.

Personalise Your Cup

Program your Coffee Maker to start up at the same time every day and make your favorite coffee - then save it as a setting.

BEAUTY OF CHOICE

With the choice of a stylish stainless steel or elegant black trim, our Companion products help you achieve a coherent kitchen aesthetic that suits your design style.

SPECIFICATIONS

Accessories

- Coffee spoon
- Descaling agent bottle
- Extractable steam outlet
- Water Filter

Accessories (sold separately)

Matching Trim Kit	TK7630NDB1 / TK30NDBB1
Optional lower trim kit	Part 81662

Capacity

Coffee bean container capacity	0.75lbs
Drip tray capacity	0.25 gallons
Grounds container capacity	14 cups of coffee
Number of cups	1 or 2
Water tank capacity	0.625L

Cleaning

- Easy to remove coffee grinds •
- Easy to remove stainless steel •
- Removable drip tray with level •

Controls

- Cleaning reminder •
- Coffee grounds full reminder •
- Intuitive information display •
- LED lights 4
- Multi-language interface •
- Refill coffee bean reminder •
- Water tank empty indicator •

Functions

- Americano •
- Cappuccino •
- Coffee •
- Cup size levels 4 + manual
- Double espresso •
- Espresso •
- Espresso macchiato •
- Flat white •
- Hot milk •
- Hot water •
- Latte •
- Latte macchiato •
- Long black •
- Number of functions 13

- Personalised coffee •
- Takes pre-ground coffee •

Performance

- Coffee temperatures 5 x settings
- Grinder Stainless steel conical burr
- Grinding coarseness 13 positions
- Heating system Thermablock with stainless
- Heating system power (coffee) 1200W
- Integrated cup warmer shelf •
- Integrated storage for •
- Pump power 50
- Pump pressure 15Bar

Power requirements

- Amperage 11.25A
- Supply frequency 50Hz
- Supply voltage 120V

Product dimensions

- Depth 18 7/8"
- Height 18"
- Width 23 1/2"

Warranty

- Parts and labor 2 years

- SKU 81925

The product dimensions and specifications in this page apply to the specific product and model. Under our policy of continuous improvement, these dimensions and specifications may change at any time. You should therefore check with Fisher & Paykel's Customer Care Centre to ensure this page correctly describes the model currently available. Fisher & Paykel Appliances Ltd 2020

Where applicable:

All appliances use energy, and energy usage typically generates carbon emissions. **Fisher & Paykel Appliances' In-use Energy Carbon Emissions Estimate** indicates carbon emissions from a product's in-use energy. This is calculated either annually or per cycle, using the product's market-specific energy label energy consumption data multiplied by the carbon emissions factor for energy in your country or region.

Our In-use Energy Carbon Emissions Estimate is designed to assist customers in making informed purchasing decisions when comparing different Fisher & Paykel products. For example, a heat pump dryer typically has a lower In-use Energy Carbon Emissions Estimate than a vented dryer.

Other product downloads available at fisherpaykel.com

- [↓](#) User Guide
- [↓](#) Service & Warranty
- [↓](#) Installation Guide - Cavity Trim Kit
- [↓](#) Guide d'installation FR
- [↓](#) Installation Guide Companion Products EN
- [↓](#) Data Sheet Coffee Maker
- [↓](#) Data Sheet Coffee Maker with 30" Trim
- [↓](#) Data Sheet Coffee Maker with Bottom Trim
- [↓](#) Planning Guide - Minimal 30" Built-in Ovens and Companions



A PEACE OF MIND SALE

24 Hours 7 Days a Week Customer Support

T 1.888.936.7872 W www.fisherpaykel.com