

FISHER & PAYKEL

PRELIMINARY SPECIFICATION GUIDE

FRONT LOADER WASHING MACHINE, WITH STEAM REFRESH



OVERVIEW

This front loader has 13 fabric care cycles to cater for every type of load. Steam Refresh de-wrinkles and deodorises clothes without a full wash cycle and Optimise Wash offers the ability to customise a wash for speed or sustainability. Pair perfectly with a matching dryer for a clean, considered laundry.

MODELS

Front Loader Washing Machine, 8kg with Steam Refresh
WH8060P3

Front Loader Washing Machine, 8.5kg with Steam Refresh
WH8560P3

Front Loader Washing Machine, 9kg with Steam Refresh
WH9060P3

Front Loader Washing Machine, 10kg with Steam Refresh
WH1060P3

Front Loader Washing Machine, 11kg with Steam Refresh
WH1160P3

SERIES

Series 5
Front Loader

FEATURES

- ① Designed to match our dryers with outstanding aesthetics and complimentary wash cycles
- ② 13 fabric care cycles including Steam Refresh, Quick 30, Bulky and Easy Iron
- ③ Steam Refresh cycle de-wrinkles, deodorises, and refreshes clothes
- ④ Optimise Wash option saves time, maximises energy efficiency or reduces water usage
- ⑤ Better fabric care with SmartDrive™ Technology
- ⑥ Wool cycle with a Woolmark™ guarantee
- ⑦ Add or remove items during the wash cycle with Add a Garment

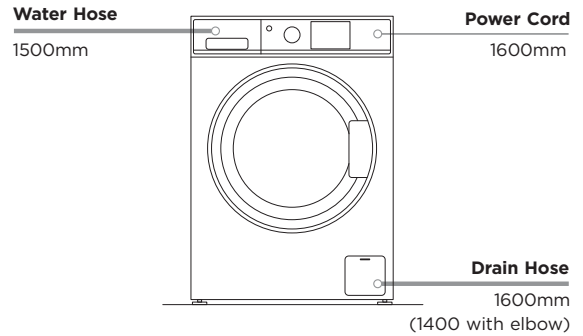
FISHER & PAYKEL

PRELIMINARY SPECIFICATION GUIDE

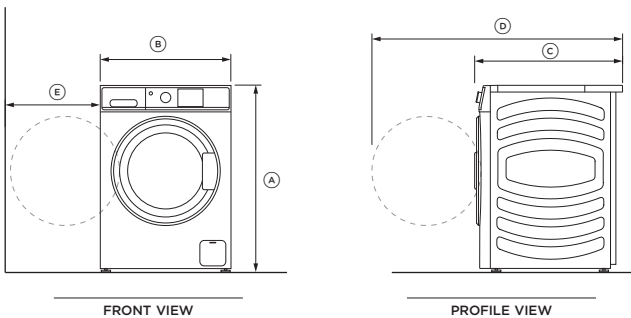
FRONT LOADER WASHING MACHINE, WITH STEAM REFRESH

PRODUCT SPECIFICATIONS

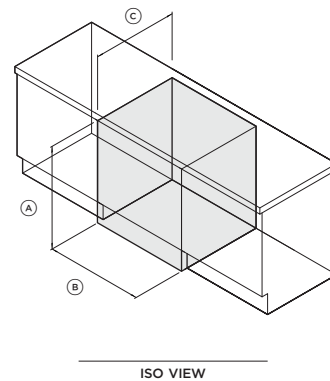
Model No.	WH8060P3, WH8560P3, WH9060P3, WH1060P3
Dimensions	H 850mm W 600mm D 655mm
Weight	69kg
Electrical	
Supply	220V - 240V, 50Hz
Service	10-amp circuit
Outlet	3-prong grounding-type
Plumbing	
Supply	Cold only, hose set provided
Pressure	Max. 1MPa (150psi) Min. 30KPa (4.5psi), Min. 6 litres/min



PRODUCT DIMENSIONS



CAVITY DIMENSIONS: STANDARD INSTALLATION



	mm
(A) Overall height*	
• Min	850
• Max	865
(B) Overall width	600
(C) Overall depth**	655
(D) Depth with the door open	1075
(E) Min. door clearance to adj. wall	320

* Includes adjustable mounted feet and the range of movement

** Includes dial and door when closed

	mm
(A) Minimum height*	870
(B) Minimum width	640
(C) Minimum overall cavity depth	
• Flush with front panel of the product	650
• In cupboard	695
Minimum gap clearance to adjacent product or cabinetry**	20

* Depends on feet adjustment

** Applies to sides, top and rear

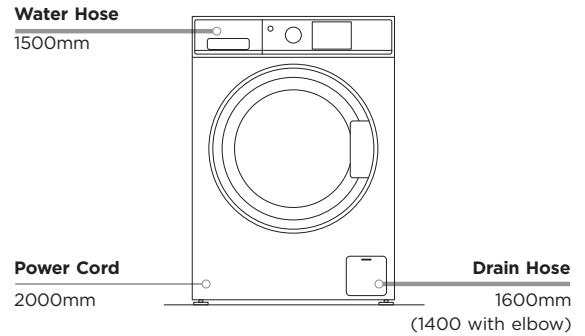
FISHER & PAYKEL

PRELIMINARY SPECIFICATION GUIDE

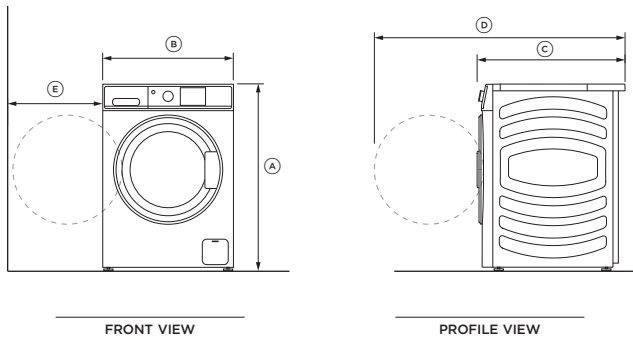
FRONT LOADER WASHING MACHINE, 11KG

SPECIFICATIONS

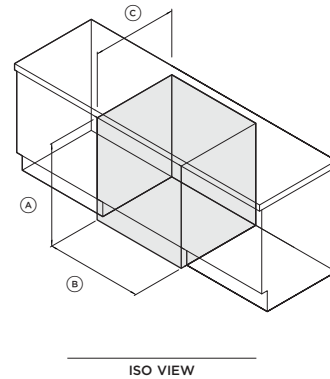
Model No.	WH1160P3
Dimensions	H 850mm W 600mm D 675mm
Weight	82kg
Electrical	
Supply	220V - 240V, 50Hz
Service	10-amp circuit
Outlet	3-prong grounding-type
Plumbing	
Supply	Cold only, hose set provided
Pressure	Max. 1MPa (150psi) Min. 30KPa (4.5psi) Min. 6 litres/min



PRODUCT DIMENSIONS



CAVITY DIMENSIONS: STANDARD INSTALLATION



	mm
(A) Overall height*	
• Min	845
• Max	860
(B) Overall width	600
(C) Overall depth**	675
(D) Depth with the door open	1080
(E) Min. door clearance to adj. wall	355

* Includes adjustable mounted feet and the range of movement

** Includes dial and door when closed

	mm
(A) Minimum height*	865
(B) Minimum width	640
(C) Minimum overall cavity depth	
• Flush with front panel of the product	655
• In cupboard	715
Minimum gap clearance to adjacent product or cabinetry**	20
Minimum gap clearance to the rear	20

* Depends on feet adjustment

** Applies to front, sides and top