

Freestanding Cooker, Dual Fuel, 90cm, 5 Burners, Self-cleaning

Series 9 | Classic

Red

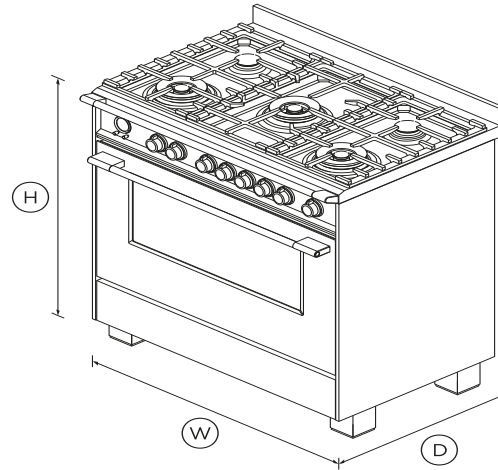


Get the best of both worlds with dual fuel. A gas cooktop with wok burner is paired with a nine-function convection oven.

- Five burner cooktop with with dual wok burner and rotisserie
- Convection oven with 140L capacity and nine oven functions plus rotisserie including Pastry Bake with Pizza mode
- Non-tip full-extension shelves for safe removal of hot dishes
- Pyrolytic self-clean that breaks down food residue for an easy clean

DIMENSIONS

Height	898 - 946 mm
Width	897 mm
Depth	600 mm



FEATURES & BENEFITS

Multi-shelf cooking

Our AeroTech™ system circulates air evenly throughout the entire oven so dishes on the top shelf turn out just as perfectly as food cooking on the bottom shelf.

Quality and durability

Every detail has been carefully crafted. The solid, perfectly balanced soft-close door, durable cooktop trivets and glowing halo dials all add up to an exceptional, premium range.

Easy cleaning

Cleaning up spills is effortless. Your cooktop simply needs a quick wipe to keep it looking good as new. The pyrolytic self-clean oven cycle breaks down food residue at a very high temperature, leaving a light ash that's easily removed with a damp cloth.

SPECIFICATIONS

Accessories

Flat wire shelf	1
Full extension sliding shelves	2 sets (part 578744)
Grill rack	•
Kick strip, stainless steel	Part 81661
Pyrolytic proof shelf runners	1 set
Roasting dish	•
Rotisserie set	1
Small pot support	1 (part 533981 cast)
Step down wire shelf	1
Wok stand	1 (part 534678)

Capacity

Total capacity	140L
----------------	------

Cleaning

Acid resistant graphite enamel	•
Drop down grill element	•
Pyrolytic proof shelf runners	•
Pyrolytic self-clean	•
Removable oven door	•
Removable oven door inner	•

Removable shelf runners •

Controls

- Audio feedback
- Automatic cooking/minute
- Automatic pre-set
- Bright chromed, cast zinc dials
- Celsius/Fahrenheit
- Electronic clock
- High resolution display
- Interior light
- Laser etched graphics
- Precise electronic temperature
- Sabbath mode
- Turned stainless steel clock
- Turned stainless steel clock

Cooktop Features

- Brass burner spreader (power)
- Dishwasher safe trivets
- Embossed brass burner cap
- Hob rail
- Hob rear trim **60mm**
- LPG/Natural gas compatible
- Sealed range top

Cooktop Performance

- Dual wok burner inner/outer **2.4 - 16.2MJ/h**
- Dual wok burner inner/outer **2.4 - 16.2MJ/h**
- Max burner power **16.2MJ/h**

- Number of burners **5**
- Semi-rapid burner (LPG) x2 **2.5 - 6.5MJ/h**
- Semi-rapid burner (natural) **2.5 - 6.5MJ/h**
- Total cooktop power **58MJ/h**
- Triple ring wok burner (LPG) **6.5 - 14.4MJ/h**
- Triple ring wok burner (natural) **6.5 - 14.4MJ/h**

Oven features

- AeroTech™ technology
- Automatic rapid pre-heat
- Electronic oven control
- Full extension telescopic **2 sets (part 578744)**
- Internal light **4 x 25W halogen (2 side & 2)**
- Pyrolytic proof shelf runners
- Pyrolytic self-clean
- Soft open/close door
- True convection
- Twin cavity fans
- Warming drawer

Oven functions

- Bake
- Fan bake
- Fan forced
- Fan grill
- Grill
- Number of functions **9 + Rotisserie**
- Pastry Bake with Pizza mode
- Rapid proof
- Roast

Rotisserie •

Oven performance

- CoolTouch door **Quadruple glazed**
- Grill power **4500W**
- Warming drawer power **202W**

Power requirements

- Amperage **23A**
- Supply frequency **50Hz**
- Supply voltage **220 - 240V**

Product dimensions

- Depth **600 mm**
- Height **898 - 946 mm**
- Installation cutout dimensions **600 mm**
- Installation cutout dimensions **900 mm**
- Width **897 mm**

Safety

- Advanced cooling system
- Anti-tilt bracket
- Balanced oven door
- Catalytic venting system
- CoolTouch door
- Flame failure system
- Full extension telescopic
- Non-tip shelves
- Spill containment **2.6L**

WarrantyParts and labour **2 years**

SKU 81691

TEST The product dimensions and specifications in this page apply to the specific product and model. Under our policy of continuous improvement, these dimensions and specifications may change at any time. You should therefore check with Fisher & Paykel's Customer Care Centre to ensure this page correctly describes the model currently available. ? Fisher & Paykel Appliances Ltd 2020

Other product downloads available at fisherpaykel.com[User Guide](#)[Service & Warranty Booklet](#)[Installation Guide](#)[Installation Guide \(Kick Strip Attachment\)](#)**A PEACE OF MIND SALE****24 Hours 7 Days a Week Customer Support****T 1300 650 590 W www.fisherpaykel.com**