

Integrated Refrigerator Freezer, 36", Ice & Water

Series 7 | Integrated

Stainless Steel | Right Hinge

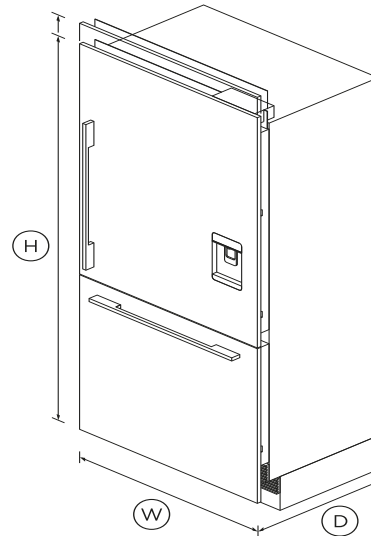


Choose a spacious refrigerator that fits flush into surrounding cabinetry, complemented by our stylish stainless steel panel with a slimline water dispenser.

- ActiveSmart™ technology helps keep food fresher for longer by constantly maintaining the ideal temperature
- SmartTouch control panel ensures ease of use
- Spacious bottom freezer featuring a full-extension drawer and an ice maker with boost function
- Stainless steel door panels and handles are available for separate purchase

DIMENSIONS

| | |
|--------|-----------|
| Height | 79 13/16" |
| Width | 35 1/16" |
| Depth | 23 3/4" |



FEATURES & BENEFITS

Perfect Fit

These models fit flush and have minimal gaps, with no visible hinges. Purchase our stainless steel door panel and handles separately for a sleek, modern finish that complements your kitchen's style.

ActiveSmart™ Foodcare

ActiveSmart™ Foodcare learns how you live. By understanding how you use your refrigerator and adjusting temperature, airflow

and humidity inside, it helps keep food fresher for longer.

Flexible Storage

Designed to make it simple for you to store, sort and access food. Storage bins give you full access inside when they're pulled open and can be easily removed to clean. Our cantilevered shelving also gives you more storage options.

Water dispenser

The slimline dispenser makes it easy to fill almost any sized jug or vessel with cool filtered water without taking up any storage space in your fridge.

Ice maker

Fresh ice is always available for you in a dedicated freezer bin. Simply turn it off to free up freezer space or during busy times, you can boost ice production by up to 30%.

Beautiful Lighting

LED lighting illuminates the interior with a crisp, clean glow for enhanced visibility. Our energy saving LEDs use less power than comparable halogen lights.

Easy Cleaning

No more permanent dirty marks with our EZKleen feature for stainless steel refrigerators. Anti-fingerprint coating means you simply wipe clean any marks. Spill-safe secure glass shelves easily capture any drips or leaks.

SPECIFICATIONS

Accessories (sold separately)

| | |
|----------------------------------|----------------------------|
| Door panel stainless steel | 80", Right hinge RD3680WRU |
| Door panel stainless steel Right | RD3684WRU |
| Handle kit Contemporary | AHS-ASBI-B |
| Handle kit Contemporary | AHD5RD36W |
| Handle kit Contemporary | AHD5RD36WB |
| Handle kit Contemporary | RS36W |

| | |
|--------------------------------|----------------------|
| Handle kit Professional round | AHCRS36W |
| Handle kit Professional round | AHP3RD36W |
| Handle kit Professional square | AHV2RS36W |
| Joiner kit | RS80 |
| Water filter replacement | 847200 - FWC3 |

Capacity

| | |
|----------------------|------------------|
| Total gross capacity | 16.8cu ft |
| Volume | 16.8cu ft |
| Volume freezer | 5.1cu ft |
| Volume refrigerator | 11.7cu ft |

Consumption

| | |
|----------------------|------------------------|
| Energy rating | Energy star |
| Energy usage | 534kWh/year |
| In-use energy carbon | 65.8kgCO2e/year |

Features

| | |
|-------------------------------|----------|
| Adjustable door shelves | 6 |
| Adjustable glass cantilevered | • |
| Adjustable glass shelves | 3 |
| Covered door shelves | 2 |
| Deli storage bins | 1 |
| Door alarm | • |
| Fruit and vegetable bins | 2 |
| LED lighting | • |
| SmartTouch control panel | • |
| Stackable bottle holders | 4 |
| Ultra slim water dispenser | • |
| Wi-Fi connectivity | • |

Freezer Features

| | |
|-----------------------|----------|
| Automatic ice maker | • |
| Bottle chill | • |
| Door alarm | • |
| Fast freeze | • |
| Freezer bins | 2 |
| Ice Boost | • |
| LED lighting | • |
| Slide Out Pastry Tray | • |

Performance

| | |
|--------------------------------|----------|
| ActiveSmart™ Foodcare | • |
| Adaptive defrost | • |
| Frost free freezer | • |
| Humidity control system | • |
| Inverter controlled compressor | • |
| Sabbath mode | • |

Power requirements

| | |
|------------------|-------------|
| Rated current | 10A |
| Supply frequency | 60Hz |
| Supply voltage | 115V |

Product dimensions

| | |
|--------|------------------|
| Depth | 23 3/4" |
| Height | 79 13/16" |
| Width | 35 1/16" |

Product information

| | |
|-------------------|---------------|
| Unpackaged weight | 327lbs |
|-------------------|---------------|

Warranty

| | |
|--------------------------|----------------|
| Parts and labour | 2 years |
| Sealed system parts only | 5 years |

| | |
|-----|--------------|
| SKU | 26319 |
|-----|--------------|

The product dimensions and specifications in this page apply to the specific product and model. Under our policy of continuous improvement, these dimensions and specifications may change at any time. You should therefore check with Fisher & Paykel's Customer Care Centre to ensure this page correctly describes the model currently available. ? Fisher & Paykel Appliances Ltd 2020

Other product downloads available at fisherpaykel.com

- [↓](#) User Guide
- [↓](#) Guide d'utilisation FR
- [↓](#) Energy Label
- [↓](#) Service & Warranty
- [↓](#) Dual Installation Guide EN
- [↓](#) Water Filter Replacement Instructions & Installation Guide EN
- [↓](#) Guide d'installation - Instructions de Remplacement du Filtre à Eau FR
- [↓](#) Installation Guide EN / Guide d'installation FR
- [↓](#) Data Sheet Integrated Refrigerator Freezer



A PEACE OF MIND SALE

24 Hours 7 Days a Week Customer Support

T 1.888.936.7872 **W**www.fisherpaykel.com