

# Integrated Rangehood, 90cm with External Motor

Series 7 | Integrated

Stainless Steel and Glass

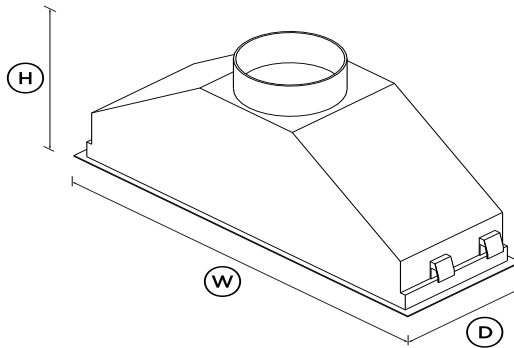


This integrated insert rangehood has an externally installed inline motor to deliver near silent yet powerful extraction of steam, grease and cooking odours.

- With three fan speeds plus a boost function, select the perfect extraction rate for your cooking
- External motor delivers near silent operation in the kitchen
- Powerful maximum air movement of 1200m<sup>3</sup>/hr
- Wi-Fi enabled for notifications through the SmartHQ™ app

## DIMENSIONS

<b>Height</b>	<b>316mm</b>
<b>Width</b>	<b>830mm</b>
<b>Depth</b>	<b>280mm</b>



## FEATURES & BENEFITS

### Near Silent Extraction

The powerful external motor is installed outside the home to deliver near silent extraction of cooking odours and steam from the kitchen.

### Seamless integration

This rangehood can be built into your cabinetry for a seamless look. A black glass control panel and stainless steel finish are designed to match the rest of Fisher & Paykel's kitchen appliance family.

### Effective Extraction

This rangehood features three fan speeds plus boost function, providing powerful extraction to quickly remove odours and steam. As odours can linger in the kitchen well after cooking is finished, the timer keeps the rangehood working for up to 15 minutes before automatically turning off.

### Full surface lighting

Energy-efficient, dimmable LED lights provide superb illumination over the entire cooking surface.

### Easy Cleaning

Designed for simple removal, the filters are easy to clean and dishwasher safe, while the glass and stainless steel finish is easily wiped clean. The SmartHQ™ app will notify you when to clean the filters to ensure you get the best performance out of your rangehood.

### Considered efficiency

The right amount of air is extracted to effectively remove cooking odours with reduced effect on your heating or air conditioning.

## SPECIFICATIONS

### Accessories

Aluminium filter	<b>792943</b>
External motor kit	<b>50170 HB 1200E* (included)</b>

### Accessories (sold separately)

Extra ducting length	<b>792961</b>
Light bulb	<b>requires service to replace</b>

### Fan ratings

Maximum air movement	<b>1200m<sup>3</sup>/hr</b>
----------------------	-----------------------------

**Installation and cleaning**

Dishwasher safe filters	2
Ducted	<b>Top extraction</b>

**Performance**

Extraction type	<b>Perimeter</b>
Fan speeds	4
Filter type	<b>Mesh with perimeter</b>
Number of filters	2

**Power requirements**

Supply frequency	50Hz
Supply voltage	240V

**Product dimensions**

Depth	280mm
Height	316mm
Width	830mm

**Product information**

Control type	<b>Capacitive touch</b>
--------------	-------------------------

**Ventilation features**

Auto-off/Run-on timer	•
Dimmable lights	•
Filter cleaning alert	•
Light type	<b>LED strip</b>
Timer function	•

**Warranty**

Parts and labour	<b>2 years</b>
------------------	----------------

SKU	50192
-----	-------

The product dimensions and specifications in this page apply to the specific product and model. Under our policy of continuous improvement, these dimensions and specifications may change at any time. You should therefore check with Fisher & Paykel's Customer Care Centre to ensure this page correctly describes the model currently available. ? Fisher & Paykel Appliances Ltd 2020

**Other product downloads available at fisherpaykel.com**

- [↓ Service & Warranty](#)
- [↓ User Guide Integrated Insert Rangehood](#)
- [↓ Preliminary Specification Guide Rangehood](#)
- [↓ Data Sheet Insert Rangehood](#)



**A PEACE OF MIND SALE**

**24 Hours 7 Days a Week Customer Support**

**T 1300 650 590 W www.fisherpaykel.com**