

# Oven, 90cm, 9 Function

Series 7 | Contemporary

Stainless Steel

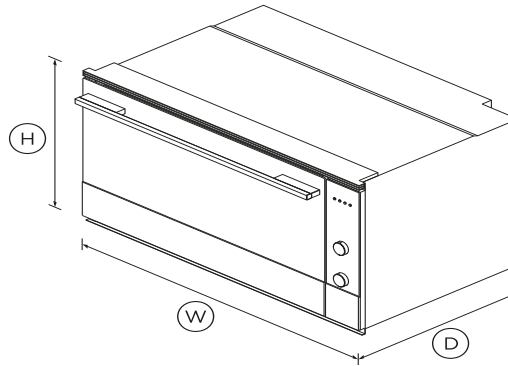


With a large capacity and beautiful contemporary styling, this built-in oven will complement your kitchen design perfectly.

- 100L total capacity
- Nine functions including Pastry Bake, Roast and Warm
- With built-in professional grade rotisserie
- Non-tip telescopic shelves so you can safely slide hot dishes out of the oven

## DIMENSIONS

Height	478mm
Width	895mm
Depth	564mm



## FEATURES & BENEFITS

### Cooking flexibility

This built-in oven has nine functions with pre-set temperatures, including Bake, Pastry Bake and Fan Forced, allowing you to use a variety of cooking styles.

### Sized to suit

Designed for multi-shelf cooking, this is one of the largest built-in ovens on the market providing 100L total capacity. The wide cavity allows for both side by side and multi-shelf cooking.

### Easy cleaning

This built-in oven has catalytic liners that break down oil and fat splashes during cooking so you don't have to spend hours cleaning.

### Safe and sound

The CoolTouch door with double glazing and cooling system is safe to touch from the outside, protecting your hands and the surrounding cabinetry. Getting large dishes in and out of the oven is a breeze with full telescopic sliding shelves that stay perfectly steady - even when pulled all the way out.

### Perfect results

Our built-in ovens feature AeroTech - a technology that circulates heat evenly, ideal for multi-shelf cooking.

### Designed to match

With their premium handle styling and stainless steel finish, our built-in ovens are designed to match the rest of Fisher & Paykel's kitchen appliance family.

## SPECIFICATIONS

### Accessories

	Optional round handle
Contemporary round handle	
Grill rack	1 set
Roasting dish	1
Rotisserie set	1 sets
Telescopic sliding runners	1 set

### Capacity

Shelf positions	4
Total gross	100L

### Cleaning

Acid resistant graphite enamel	•
Drop down grill element	•
Fat filter	•
Removable oven door	•

Removable oven door inner	•	Automatic rapid pre-heat	•
Removable shelf runners	•	Grill power	<b>3600W</b>

**Controls**

Audio feedback	•
Automatic cooking/minute	•
Automatic pre-set	•
Celsius/Fahrenheit	•
Electronic clock	•
Precise electronic temperature	•
Rear light	<b>2 x 20W (halogen)</b>
Sabbath mode	•
Turned stainless capacitive	•
Turned stainless dials with	•

**Functions**

Bake	•
Fan bake	•
Fan forced	•
Fan grill	•
Grill	•
Number of functions	<b>9</b>
Pastry Bake	•
Roast	•
Rotisserie	•
Warm	•
Warm	•

**Performance**

AeroTech™ technology	•
----------------------	---

**Product dimensions**

Depth	<b>564mm</b>
Height	<b>478mm</b>
Width	<b>895mm</b>

**Safety**

Advanced cooling system	•
Balanced oven door	•
Catalytic venting system	•
Control panel key lock	•
CoolTouch door	•
Non-tip shelves	•

SKU	<b>81675</b>
-----	--------------

TEST The product dimensions and specifications in this page apply to the specific product and model. Under our policy of continuous improvement, these dimensions and specifications may change at any time. You should therefore check with Fisher & Paykel's Customer Care Centre to ensure this page correctly describes the model currently available. ? Fisher & Paykel Appliances Ltd 2020

**Other product downloads available at fisherpaykel.com**

- [↓](#) User Guide
- [↓](#) Service & Warranty Booklet
- [↓](#) Installation Guide
- [↓](#) Data Sheet Oven

24/7

**A PEACE OF MIND SALE**  
**24 Hours 7 Days a Week Customer Support**  
**T 1300 650 590 Wwww.fisherpaykel.com**