

# Wine Cabinet, 144 Bottle

Series 7 | Contemporary

Stainless Steel

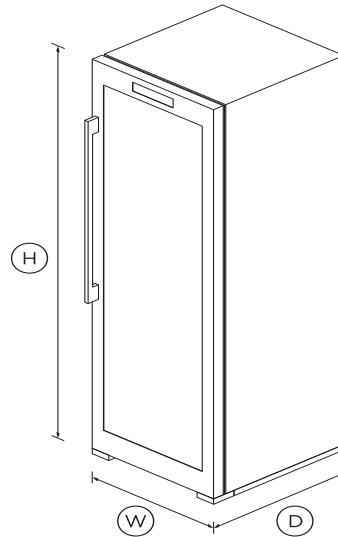


Designed to match our family of products, our stylish stainless steel wine cabinet provides a stable temperature and humidity for any varietal.

- 144 bottle capacity
- With dual temperature zones, to ensure you can perfectly store wines of all varieties
- Brushed metal handle and timeless stainless steel design

## DIMENSIONS

<b>Height</b>	<b>1855mm</b>
<b>Width</b>	<b>595mm</b>
<b>Depth</b>	<b>639mm</b>



## FEATURES & BENEFITS

### Total Control

Maintaining the perfect environment for your red and white wines is easy with the dual zones in your wine cabinet. The control panel gives you the ability to set each zone to between 5°C and 20°C and to adjust LED lighting and fans.

### Complete visibility

Your wine collection is always on display through UV tempered glass and LED lighting. Bottles nestle on stylish oak slide out shelves and a top shelf tilts so you can showcase your favourite

wines.

### Storage Perfected

The fan helps circulate air inside your wine cabinet while oak shelves and a low vibration compressor ensure optimal storage. The UV tempered glass door reduces the risk of external light affecting your wine.

### Seamless integration

Our wine cabinets are designed to match the Fisher & Paykel family of products with stylish brushed stainless steel and glass doors that complement any kitchen.

## SPECIFICATIONS

### Capacity

Number of bottles	<b>144</b>
Volume	<b>377L</b>

### Features

Door alarm	•
Fixed shelves	<b>2</b>
Flat door design	•
LED lighting	•
Low vibration compressor	•
Removable solid oak shelves	<b>7</b>
Straight designer handle	•
Tiltable presentation shelf	<b>1</b>
UV tempered glass door	•

### Installation Dimensions

Height to top of cabinet	<b>1855</b>
--------------------------	-------------

### Performance

- Air circulating fans •
- Black prepaint cabinet •
- Concealed hinges •
- Door demist function •
- Door lock •
- Door opening **right hand hinge**
- Dual Zone •
- Premium stainless steel and •
- Temperature selectable 5-20°C •
- Touch sensitive control panel •

All appliances use energy, and energy usage typically generates carbon emissions. **Fisher & Paykel Appliances' In-use Energy Carbon Emissions Estimate** indicates carbon emissions from a product's in-use energy. This is calculated either annually or per cycle, using the product's market-specific energy label energy consumption data multiplied by the carbon emissions factor for energy in your country or region.

Our In-use Energy Carbon Emissions Estimate is designed to assist customers in making informed purchasing decisions when comparing different Fisher & Paykel products. For example, a heat pump dryer typically has a lower In-use Energy Carbon Emissions Estimate than a vented dryer.



**A PEACE OF MIND SALE**

**24 Hours 7 Days a Week Customer Support**

**T 0800 372 273 W [www.fisherpaykel.com](http://www.fisherpaykel.com)**

**Product dimensions**

Depth	<b>639mm</b>
Depth (excluding handles)	<b>639mm</b>
Depth (including handles)	<b>674mm</b>
Depth door closed	<b>639mm</b>
Height	<b>1855mm</b>
Width	<b>595mm</b>

**Warranty**

Parts and labour	<b>2 years</b>
------------------	----------------

SKU	<b>26041</b>
-----	--------------

The product dimensions and specifications in this page apply to the specific product and model. Under our policy of continuous improvement, these dimensions and specifications may change at any time. You should therefore check with Fisher & Paykel's Customer Care Centre to ensure this page correctly describes the model currently available. Fisher & Paykel Appliances Ltd 2020

Where applicable: