

# Freestanding Refrigerator Freezer, 79cm, 473L

Series 5 | Contemporary

Stainless Steel | Right Hinge

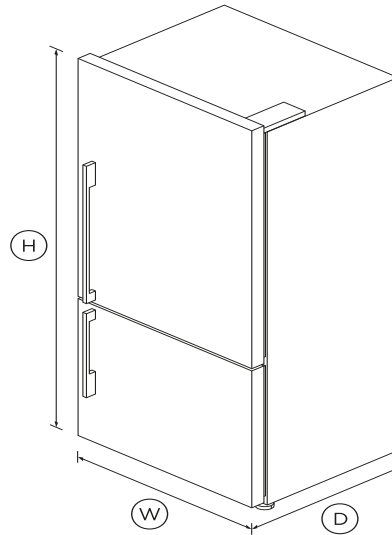


With ample storage and a stylish stainless steel finish, for a timeless look.

- ActiveSmart™ technology helps keep food fresher for longer by constantly maintaining the ideal temperature.
- Spacious bottom freezer with easy-slide internal drawers to separate storage

## DIMENSIONS

Height	1715mm
Width	790mm
Depth	695mm



## FEATURES & BENEFITS

### ActiveSmart™ Foodcare

ActiveSmart™ Foodcare learns how you live. It's technology which understands how you use your refrigerator and adjusts temperature, airflow and humidity inside to help keep food fresher for longer.

### Simple storage

This refrigerator is designed to make it simple for you to store, access and remove food. Storage bins give you full access inside when they're pulled open and can be easily removed to clean.

Our flexible shelving also gives you more storage options.

### CLEVER ENERGY

Your refrigerator adapts to daily use by cooling and defrosting only when needed. This means it uses the energy it needs without compromising on food care.

### EASY CLEANING

No more permanent dirty marks with our EZKleen feature for stainless steel fridges. Anti-fingerprint coating means you simply wipe clean any marks. Spill-safe secure glass shelves easily capture any drips or leaks.

### DESIGN QUALITY

Our refrigerators are designed and built using quality materials. We use real stainless steel, and solid glass for shelving.

### HUMIDITY CONTROL

Your fruit and veges need different environments. The humidity control slides in each storage bin create a perfect microclimate for each, which helps keep them fresher for longer.

## SPECIFICATIONS

### Capacity

Total net volume	463L
Volume	494L
Volume freezer	146L
Volume refrigerator	348L

### Consumption

Energy rating	2 ticks
Energy usage	475kWh/year
In-use energy carbon	182.1kgCO2e/year

### Features

Adjustable door shelves	4
Adjustable glass shelves	4
Covered door shelves	2
Door alarm	•
Front levelling feet	•
Fruit and vegetable bins	2
Full extension runners	•
Full width door shelves	2
LED lighting	•
Single bottle holders	4
SmartTouch control panel	•

**Freezer Features**

Bottle chill	•
Door alarm	•
Fast freeze	•
Ice trays	2
Large plastic bins	•
Slide Out Pastry Tray	•
Small plastic bins	•

**Performance**

ActiveSmart™ Foodcare	•
Adaptive defrost	•
Frost free	•
Frost free freezer	•
Humidity control system	•
Inverter controlled compressor	•
Sabbath mode	•

**Product dimensions**

Depth	695mm
Height	1715mm
Height to top of cabinet	1715mm
Width	790mm

**Warranty**

Parts and labour	2 years
Sealed system parts only	5 years

SKU 26183

The product dimensions and specifications in this page apply to the specific product and model. Under our policy of continuous improvement, these dimensions and specifications may change at any time. You should therefore check with Fisher & Paykel's Customer Care Centre to ensure this page correctly describes the model currently available. © Fisher & Paykel Appliances Ltd 2020

**Other product downloads available at fisherpaykel.com**

- [↓](#) Service & Warranty
- [↓](#) User & Installation Guide ActiveSmart Refrigerator
- [↓](#) User Guide
- [↓](#) Installation Guide
- [↓](#) Data Sheet Freestanding Refrigerator Freezer



**A PEACE OF MIND SALE**

**24 Hours 7 Days a Week Customer Support**

**T +65 6741 0777 Wwww.fisherpaykel.com**