

# Combination Steam Oven, 60cm, 9 Function

Series 9 | Contemporary

Stainless Steel

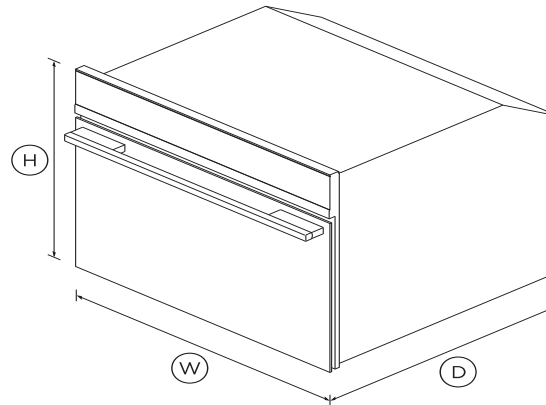


Reduce the need for oils and fats with steam cooking. Its compact size makes this perfect to pair with a warming drawer.

- 36L total capacity
- Steam cooking allows you to cook a food in its own juices, to retain nutrients and flavour
- Cooking flexibility with nine oven functions, including five steam functions, plus Grill and Fan Forced.
- Designed to match aesthetically with companion products such as warming drawers, for flexible cooking configurations.

## DIMENSIONS

|        |       |
|--------|-------|
| Height | 458mm |
| Width  | 596mm |
| Depth  | 562mm |



## FEATURES & BENEFITS

### Healthy Eating

The Steam Oven allows you to cook food in its own juices to retain nutrients and flavour, with the steam moisture reducing the need for additional oils or fats.

### Sized to suit

This compact 60cm Steam Oven can be placed almost anywhere. All companion products can be installed at a convenient height to suit your kitchen design and preference.

### Simple To Use

An easy to use, intuitive display shows the time and provides useful information about functions along with a refill alert.

### Easy cleaning

Cleaning and care of the Steam Oven is easy. After each use, simply wipe the smooth stainless steel interior with a dry cloth.

### Safe and sound

Keep those inquisitive little hands safe. A child lock has been included in the design of this Built-in Steam Oven

### Easy Installation

Plug in and cook straight away. The Steam Oven is easy to install, with no plumbing needed.

## SPECIFICATIONS

### Accessories

|                          |   |
|--------------------------|---|
| Baking pan               | 1 |
| Perforated large dish    | 1 |
| Wire shelf               | 1 |
| Wired temperature sensor | 1 |

### Accessories (sold separately)

|                         |                       |
|-------------------------|-----------------------|
| Handle kit Contemporary | Optional round handle |
|-------------------------|-----------------------|

### Capacity

|                 |     |
|-----------------|-----|
| Shelf positions | 3   |
| Total capacity  | 36L |
| Usable capacity | 29L |

### Cleaning

|                            |   |
|----------------------------|---|
| Easy clean stainless steel | • |
|----------------------------|---|

- Removable water tank •
- Steam clean (oven) •

**Consumption**

Energy rating **A++**

**Controls**

- Automatic cooking/minute •
- Automatic pre-set •
- Celsius/Fahrenheit •
- Delay start •
- Electronic clock •
- Electronic oven control •
- Food probe •
- Guided cooking by food type •
- Halogen lights •
- Intuitive touchscreen display •

**Functions**

- Fan forced •
- Fan grill •
- Grill •
- Number of functions **9**
- Recipe function •
- Ring + grill •
- Steam + ring •
- Steam 100 (100°C / 210°F) •
- Steam 130 (130°C / 265°F) •
- Steam assist •
- Steam clean (oven) •

**Performance**

Grill power **1500W**

SteamTechnology •

**Power requirements**

Amperage **15A**

Supply frequency **50Hz**

Supply voltage **220 - 240V**

**Product dimensions**

Depth **562mm**

Height **458mm**

Width **596mm**

**Safety**

- Control panel key lock •
- CoolTouch door •
- Safety thermostat •

**Warranty**

Parts and labour **5 years**

SKU **82306**

The product dimensions and specifications in this page apply to the specific product and model. Under our policy of continuous improvement, these dimensions and specifications may change at any time. You should therefore check with Fisher & Paykel's Customer Care Centre to ensure this page correctly describes the model currently available. ? Fisher & Paykel Appliances Ltd 2020

**Other product downloads available at fisherpaykel.com**

- [↓](#) User Guide
- [↓](#) Service & Warranty
- [↓](#) Installation Guide
- [↓](#) Installation Guide - Cavity Trim Kit
- [↓](#) Data Sheet Combination Steam Oven



**A PEACE OF MIND SALE**

**24 Hours 7 Days a Week Customer Support**

**T 08000 886 605 Wwww.fisherpaykel.com**