

569L Series 7 French Door Refrigerator Freezer

Contemporary



Our largest capacity French Door model has intuitive, flexible storage space, with a stylish stainless steel finish.

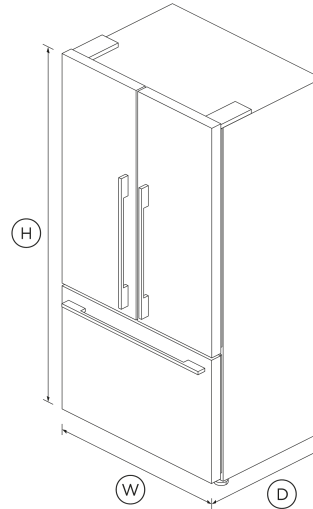
- ActiveSmart™ technology helps keep food fresher for longer by constantly maintaining the ideal temperature.
- Spacious bottom freezer with full extension drawer gives easy access to frozen goods.

DIMENSIONS

| | |
|--------|---------|
| Height | 1790 mm |
| Width | 900 mm |

Depth

695 mm



FEATURES & BENEFITS

ACTIVESMART™ FOODCARE

ActiveSmart™ Foodcare learns how you live. It's the technology that understands how you use your fridge and adjusts the temperature, airflow and humidity inside to help keep food fresher for longer.

Humidity Control

Your fruit and veges need different environments. The humidity control slides in each storage bin create a microclimate that helps keep food fresher for longer.

Easy Cleaning

Spill-safe secure glass shelves easily capture any drips or leaks and prevent them from falling on items below.

Clever Energy

Your fridge adapts to daily use by cooling and defrosting only when needed. This means your fridge uses the energy it needs without compromising on food care.

SIMPLE STORAGE

This fridge is designed to make it simple for you to store, access and remove food. Storage bins give you full access inside when they're pulled open and can be easily removed to clean. Our flexible shelving also gives you more storage options.

SPECIFICATIONS

Capacity

| | |
|----------------------|-------|
| Total gross capacity | 614 L |
| Volume | 569 L |
| Volume freezer | 152 L |
| Volume refrigerator | 417 L |

Consumption

| | |
|---|---|
| Energy rating | 3.5 star |
| Energy usage | 433kWh/year (IEC 62552-2015), 448kWh/year (AS/NZS 4474.2:2009) |
| In-use energy carbon emissions estimate | 41.1kgCO2e/year (IEC 62552-2015), 42.6kgCO2e/year (AS/NZS 4474.2:2009) |

Features

| | |
|--------------------------|---|
| Adjustable glass shelves | 2 |
|--------------------------|---|

| | |
|------------------------------------|---|
| Adjustable half width door shelves | 4 |
| Covered door shelves | 2 |
| Deli storage bins | 2 |
| Door alarm | • |
| Front levelling feet | • |
| Fruit and vegetable bins | 2 |
| Full extension runners | • |
| Full width door shelves | 2 |
| LED lighting | • |
| Rear rollers | • |
| Single bottle holders | 4 |
| Smart appliance | • |
| SmartTouch control panel | • |

Power requirements

| | |
|------------------|-------------|
| Rated current | 10 A |
| Supply frequency | 50 Hz |
| Supply voltage | 220 - 240 V |

Product dimensions

| | |
|-----------------------------------|---------|
| Depth | 695 mm |
| Depth (including handles) | 735 mm |
| Height | 1790 mm |
| Height to top of cabinet | 1790 mm |
| Minimum air clearance - each side | 20 mm |
| Minimum air clearance - on top | 50 mm |
| Width | 900 mm |

| | |
|-----|-------|
| SKU | 26504 |
|-----|-------|

The product dimensions and specifications in this page apply to the specific product and model. Under our policy of continuous improvement, these dimensions and specifications may change at any time. You should therefore check with Fisher & Paykel's Customer Care Centre to ensure this page correctly describes the model currently available. © Fisher & Paykel Appliances Ltd 2020

Other product downloads available at fisherpaykel.com

- [↓ Energy Label](#)
- [↓ Installation Guide \(English\)](#)
- [↓ User Guide \(English\)](#)
- [↓ Installation & User Guide \(English\)](#)

Where applicable:

All appliances use energy, and energy usage typically generates carbon emissions. **Fisher & Paykel Appliances' In-use Energy Carbon Emissions Estimate** indicates carbon emissions from a product's in-use energy. This is calculated either annually or per cycle, using the product's market-specific energy label energy consumption data multiplied by the carbon emissions factor for energy in your country or region.

Our In-use Energy Carbon Emissions Estimate is designed to assist customers in making informed purchasing decisions when comparing different Fisher & Paykel products. For example, a heat pump dryer typically has a lower In-use Energy Carbon Emissions Estimate than a vented dryer.



A PEACE OF MIND SALE
24 Hours 7 Days a Week Customer Support
 T 0800 372 273 W www.fisherpaykel.com

Freezer Features

| | |
|--------------|---|
| Bottle chill | • |
| Fast freeze | • |
| Freezer bins | 3 |
| Ice trays | 1 |

Performance

| | |
|--------------------------------|---|
| ActiveSmart™ Foodcare | • |
| Adaptive defrost | • |
| Frost free | • |
| Frost free freezer | • |
| Humidity control system | • |
| Inverter controlled compressor | • |
| R600a refrigerant | • |
| Sabbath mode | • |