

Integrated Double DishDrawer™ Dishwasher, Tall, Sanitize

Series 9 | Integrated

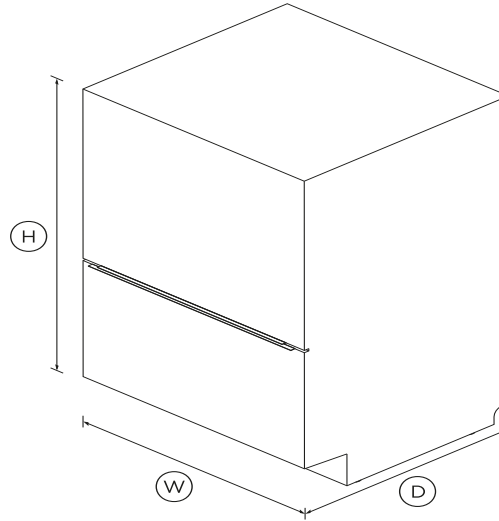
Panel Ready



Doing the dishes got easier. Load one drawer while the other washes – with the top drawer fitting your large dinner plates easily.

DIMENSIONS

Height	34 - 36 ³ / ₈
Width	23 ⁹ / ₁₆
Depth	22 ¹ / ₂



SPECIFICATIONS

Accessories

Cutlery basket	2
Kickstrip	•
Knife clip and multipurpose	•
Optional handle	513545 D3 front mount fitting
Optional stainless steel door kit	81261 Doors DD24DT

Capacity and loading

Accommodates round plates	12.25" (top) 11" (bottom)
Adjustable height, foldable	•
Fold down tines	•
Pitch adjustable tines	•
Place settings	14

Controls

Child lock	•
Electronic fault/Diagnostic	•
End of cycle beeps	•
Energy saving delay start	•
Internal wash selector	•
Knock to pause	•
Rinse aid indicator light	•

Features

Built-in water softener	•
Fan assisted drying	•
Flow through detergent	•
Quiet operation	•
SmartDrive™ technology	•

Performance

Noise on gentle cycle top	44
---------------------------	----

Power requirements

Amperage	9.6A
Electric circuit	3
Rated current	15A
Supply frequency	60Hz

Supply voltage	120V
----------------	------

Product dimensions

Depth	22 ¹ / ₂
Height	34 - 36 ³ / ₈
Width	23 ⁹ / ₁₆

Wash Program Modifiers

Extra Dry	•
Quick	•
Wash modifiers	3

Wash Programs

Delicate	•
Eco	•
Fast	•
Heavy	•
Medium	•
Rinse	•
Sanitize	•
Wash programs	15

Water connection

Inlet water temperature	Max 140°F
Supplied hose to suit 3/8"	•
Water pressure	0.1 Mpa - 1 Mpa (14.5-145 psi)

SKU	81216
-----	-------

The product dimensions and specifications in this page apply to the specific product and model. Under our policy of continuous improvement, these dimensions and specifications may change at any time. You should therefore check with Fisher & Paykel's Customer Care Centre to ensure this page correctly describes the model currently available. ? Fisher & Paykel Appliances Ltd 2020

Other product downloads available at fisherpaykel.com

- [↓](#) Quick Start Guide
- [↓](#) User Guide
- [↓](#) Service & Warranty Booklet
- [↓](#) Installation Guide
- [↓](#) Resources (zip)



A PEACE OF MIND SALE

24 Hours 7 Days a Week Customer Support

T 1.888.936.7872 **W**www.fisherpaykel.com