

# Series 9, Contemporary Double DishDrawer Dishwasher

Contemporary



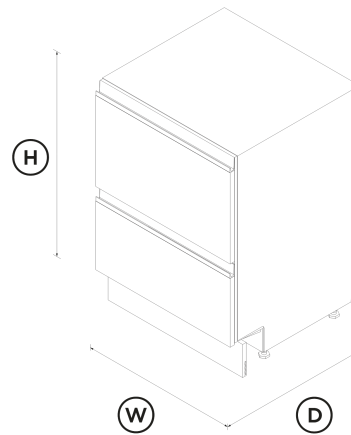
Wash one drawer while you load the other, with room in each drawer for full-size dinner plates.

- Designed to be installed under your benchtop, with recessed handles for a seamless look
- Six wash programs, as well as additional Quick wash, Sanitise and Extra Dry modifiers
- Flexible racking allows you to customise internal shelves to suit your needs

- Wi-Fi enabled and works with the SmartHQ™ app for remote control and notifications

## DIMENSIONS

Height	820 - 880 mm
Width	599 mm
Depth	573 mm



## FEATURES & BENEFITS

### Considered Design

Designed to match our Contemporary style black glass family of products, this built-under dishwasher has a tactile matte black glass finish that pairs perfectly with recessed handles.

### Seamless Fit

Our built-under DishDrawer™ Dishwashers are installed flush under your benchtop with the option of a custom kickstrip, ensuring minimal gaps.

### Ease Of Use

DishDrawer™ Dishwashers are as easy to open and close as kitchen drawers and can be conveniently positioned at bench height for ease of loading and minimal bending. Flexible racking allows you to make adjustments to fit in a variety of dishes.

### Quick, Sanitise And Extra Dry Options

The Quick wash modifier delivers a faster wash while maintaining performance. The Sanitise option provides extra protection, killing 99.9% of bacteria\* in the final rinse. The Extra Dry setting is perfect for plastic dishes.

### Knock To Pause

For ease-of-use, these DishDrawer™ Dishwashers have a knock to pause function. A knock on the front panel will pause the dishwasher, which can be restarted by using the start button.

### True Half Load

Each drawer holds a true half load for small, fast washing that won't waste water. Both drawers operate independently so two wash cycles can operate simultaneously to allow for varying loads.

### Quiet Performer

Running at a very low decibel rating, these DishDrawer™ Dishwashers do their job without making a fuss. The combination of intelligent technology and simple mechanics means greater reliability and excellent wash performance.

## SPECIFICATIONS

### Accessories (included)

- Cutlery basket

Kickstrip	true	End of cycle beeps	•	Depth	573 mm
Knife clip and multipurpose clip	•	Energy saving delay start option of up to 12 hours	•	Height	820 - 880 mm
<hr/>		Internal wash selector	•	Width	599 mm
<b>Capacity and loading</b>		Keylock	•	<hr/>	
Accommodates round plates up to	280mm	Knock to pause	•	<b>Wash Program Modifiers</b>	
Adjustable height, foldable cupracks	•	Rinse aid indicator light	•	Extra Dry	•
Fold down tines	•	Smart appliance	•	Quick	•
Pitch adjustable tines	•	<hr/>		Sanitise	•
Place settings	12	<b>Features</b>		Wash modifiers	3
Place settings	12	Built-in water softener	•	<hr/>	
Place settings per drawer	6	Fan assisted drying	•	<b>Wash Programs</b>	
Place settings per drawer	6	Flood protection	•	Delicate	•
<hr/>		Flow through detergent dispenser	•	Eco	•
<b>Connected Features</b>		Motor type	BLDC	Fast	•
Alerts and notifications	•	Quiet operation	•	Heavy	•
Education and onboarding	•	SmartDrive™ technology	•	Medium	•
Monitoring	•	<hr/>		Rinse	•
Software updates	•	<b>Performance</b>		Wash programs	6
<hr/>		Noise on standard cycle top drawer	43 dBA	<hr/>	
<b>Consumption</b>		<hr/>		<b>Water connection</b>	
Energy rating	E	<b>Power requirements</b>		Water pressure	100kPa - 1000kPa
Energy usage	54kWh/100 cycles per drawer	Amperage	10A	Water supply	3/4" BSP (20mm) Connector Water Inlet Hose
In-use energy carbon emissions estimate	15.4kgCO2e/100 cycles per drawer	Rated current	8.5 A	<hr/>	
Water usage (per wash cycle)	7.8L per drawer	Supply frequency	50Hz	SKU	82896
<hr/>		Supply voltage	220 - 240V	<hr/>	
<b>Controls</b>		<b>Product dimensions</b>		<hr/>	

The product dimensions and specifications in this page apply to the specific product and model. Under our policy of continuous improvement, these dimensions and specifications may change at any time. You should therefore check with Fisher & Paykel's Customer Care Centre to ensure this page correctly describes the model currently available. © Fisher & Paykel Appliances Ltd 2020



**A PEACE OF MIND SALE**  
**24 Hours 7 Days a Week Customer Support**  
T 1800 625174 W [www.fisherpaykel.com](http://www.fisherpaykel.com)

#### Other product downloads available at [fisherpaykel.com](http://fisherpaykel.com)

- [↓](#) DWG
- [↓](#) DXF
- [↓](#) Declaration of Conformity (English)
- [↓](#) Energy Label
- [↓](#) Installation Guide (English)
- [↓](#) Product Information Sheet
- [↓](#) Revit
- [↓](#) Rhino
- [↓](#) SketchUp
- [↓](#) User Guide (English)
- [↓](#) Wash Program Data (English)

#### Where applicable:

All appliances use energy, and energy usage typically generates carbon emissions. **Fisher & Paykel Appliances' In-use Energy Carbon Emissions Estimate** indicates carbon emissions from a product's in-use energy. This is calculated either annually or per cycle, using the product's market-specific energy label energy consumption data multiplied by the carbon emissions factor for energy in your country or region.

Our In-use Energy Carbon Emissions Estimate is designed to assist customers in making informed purchasing decisions when comparing different Fisher & Paykel products. For example, a heat pump dryer typically has a lower In-use Energy Carbon Emissions Estimate than a vented dryer.