

This comprehensive Planning Guide provides you with the framework and tools to achieve your desired design outcome with Fisher & Paykel appliances. In this guide, you will find a range of conceptual, detailed, and dimensional product information to bring your ideas to life and create spaces that truly reflect your vision.

CONTENTS

| CONCEPT DESIGN | PAGE | DEVELOPED AND DETAILED DESIGN | PAGE | DEVELOPED AND DETAILED DESIGN | PAGE |
|--|-----------|--|------|-------------------------------|------|
| Specification Guide | | | | | |
| Specification Guide - Refrigerator Freezer 91 cm | 4 | Planning Guide information for Developed and Detailed Design available in Q3 2024 | | | |
| Platform Overview | | | | | |
| Platform Overview - Integrated Columns | 7 | | | | |
| Design Choices - Integrated Columns | 8 | | | | |
| Accessories Overview - Door Panels, Handles | 9 | | | | |
| Accessories Overview - Toe Kicks, Joiner Kits | 10 | | | | |

SPECIFICATION GUIDE



RS9121WLUVK5 - with Stainless Steel Door Panel



RS9121WRUVK5 - with Custom Door Panel

OVERVIEW

Designed to fit flush with cabinetry with minimal 3mm gaps, this Integrated Refrigerator can be installed individually or paired with other Integrated models. For true design freedom, it can be installed with stainless steel or custom door panels. ActiveSmart™ Foodcare helps keep food fresher for longer, while the Variable Temperature Drawer can be adjusted to Chill, Fridge, or Pantry modes, to suit different types of food.

PRODUCTS

RS9121WRUVK5 Integrated Refrigerator Freezer, 91.4cm, Ice & Water, Right Hand Hinge
(All models can achieve opposite hinge location using the supplied parts)

RS9121WLUVK5 Integrated Refrigerator Freezer, 91.4cm, Ice & Water, Left Hand Hinge
(All models can achieve opposite hinge location using the supplied parts)

SERIES

Series 11

FEATURES

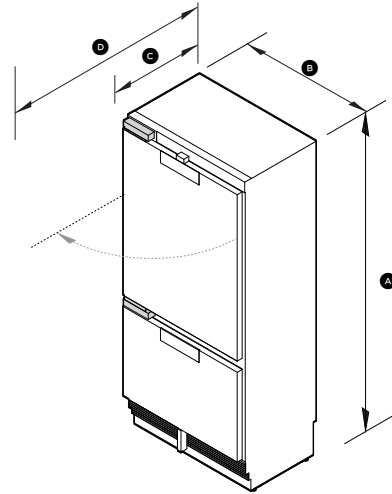
- ① Fits with stainless steel or custom door panels
- ② Independent Variable Temperature Drawer can change between Chill, Fridge, or Pantry modes to suit different foods
- ③ Flush fit with 3mm gaps and custom height installation
- ④ Automatic ice maker and internal water dispenser
- ⑤ ActiveSmart™ Foodcare helps keep food fresher for longer
- ⑥ Easy to use touch-control panel and WiFi capability
- ⑦ LED-lit and adjustable cantilevered shelving
- ⑧ Stainless steel interior lining with robust hinges
- ⑨ Perfectly pairs with other integrated models for flexible configurations

The models shown in this Planning Guide may not be available in all markets and are subject to change at any time. Product specifications may vary from those shown. This Planning Guide should not be used as installation guidance for any product. Further information is required to safely and correctly install the products featured here. Specific installation guidance will be available on our website fisherpaykel.com

SPECIFICATIONS

| | |
|---------------------------|----------------------------|
| Model No. | RS9121WRUVK5, RS9121WLUVK5 |
| Product Dimensions | H 2134mm W 908mm D 610mm |
| Electrical | |
| Supply | 220 – 240 V, 50 Hz |
| Service | 10 A |

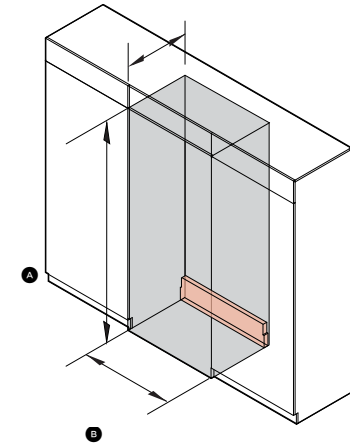
PRODUCT DIMENSIONS



| | mm |
|--|--------|
| (A) Overall height | 2134 |
| (B) Overall width | 908 |
| (C) Overall depth* | 610 |
| (D) Overall depth with the door open* | 1570 |
| (E) Overall depth with drawer open* | 1004 |
| Height from floor to bottom of bottom door panel** | 15-150 |
| Depth of toe kick (excl. front door and toe kick panels)** | 50-100 |

*Excluding handle and door panel
 **Applies to custom door panels

CAVITY DIMENSIONS: STANDARD INSTALLATION



| | mm |
|--|------|
| (A) Height | 2134 |
| (B) Minimum width | 914 |
| (C) Minimum overall cavity depth with service to the side* | 635 |
| Service area H229mm x W914mm x D25mm | |

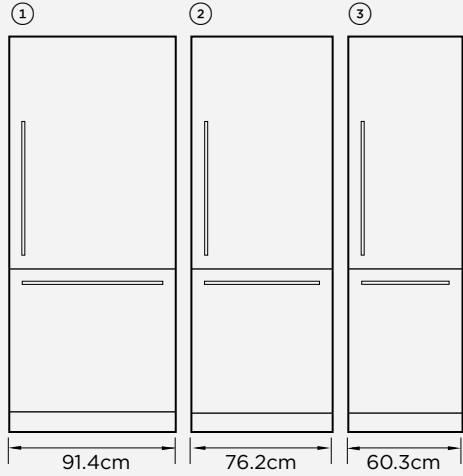
*Assumes a door panel thickness of 19mm

The models shown in this Planning Guide may not be available in all markets and are subject to change at any time. Product specifications may vary from those shown. This Planning Guide should not be used as installation guidance for any product. Further information is required to safely and correctly install the products featured here. Specific installation guidance will be available on our website fisherpaykel.com

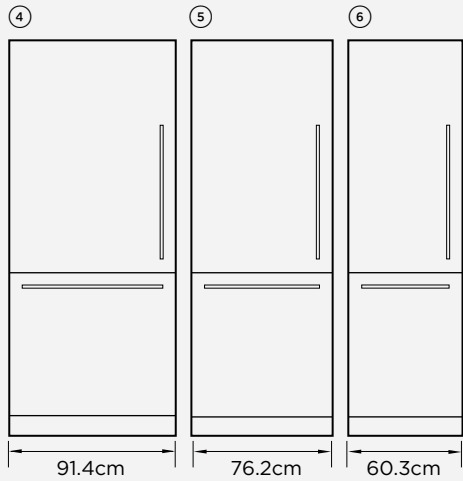
PLATFORM OVERVIEW

REFRIGERATOR/FREEZER

RIGHT HINGE

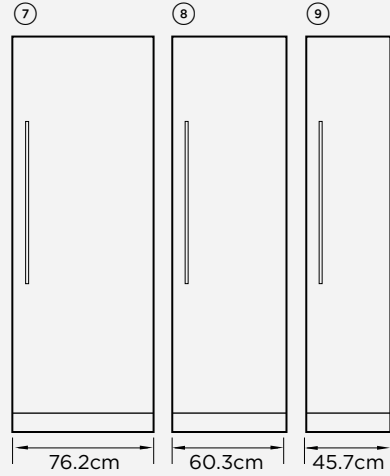


LEFT HINGE

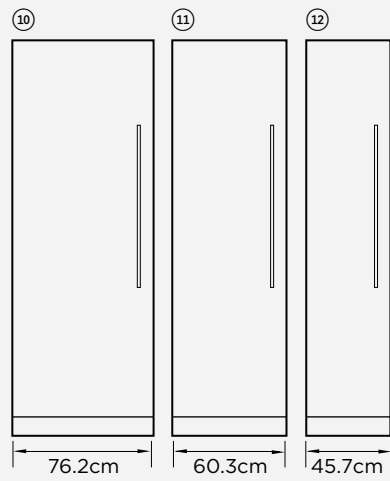


FREEZER

RIGHT HINGE

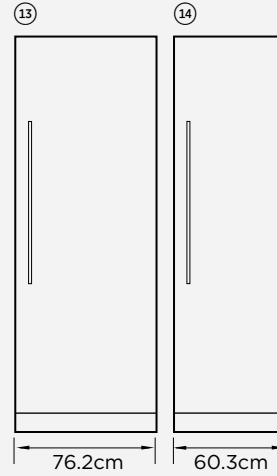


LEFT HINGE

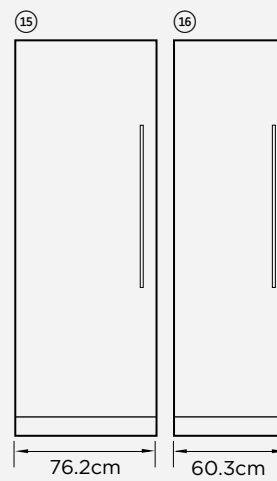


REFRIGERATOR

RIGHT HINGE

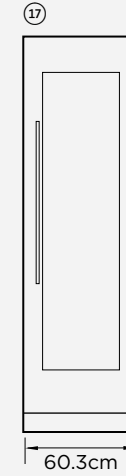


LEFT HINGE



WINE

RIGHT HINGE



LEFT HINGE



REFRIGERATOR/FREEZER

- ① RS9121WRUVK
- ② RS7621WRUK
- ③ RS6121WRUK
- ④ RS9121WLUVK
- ⑤ RS7621WLUK
- ⑥ RS6121WLUK

FREEZER

- ⑦ RS7621FRJK
- ⑧ RS6121FRJK
- ⑨ RS4621FRJK
- ⑩ RS7621FLJK
- ⑪ RS6121FLJK
- ⑫ RS4621FLJK

REFRIGERATOR

- ⑬ RS7621SRHK
- ⑭ RS6121SRHK
- ⑮ RS7621SLHK
- ⑯ RS6121SLHK

WINE

- ⑰ RS6121VR2K
- ⑱ RS6121VL2K

*Any model can be installed adjacent to one another

All models can be installed side by side but hinge consideration is advised

All models have stainless steel door panels, handles, toe kicks and joiner kits accessories available

①
MODELS



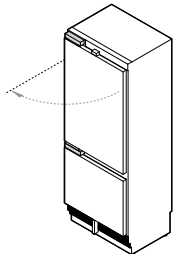
②
DOOR STYLE



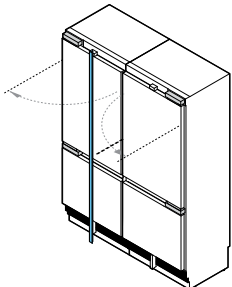
③
HANDLES



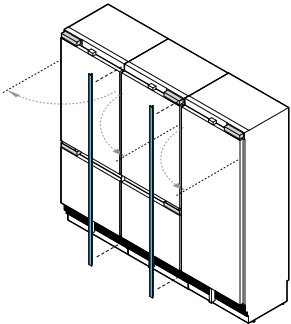
④
TOE KICK



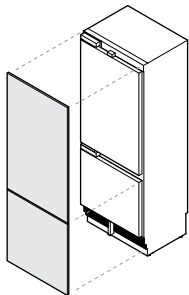
Single Installation



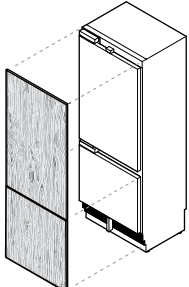
Dual Installation



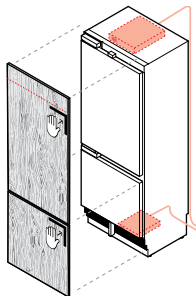
Triple Installation



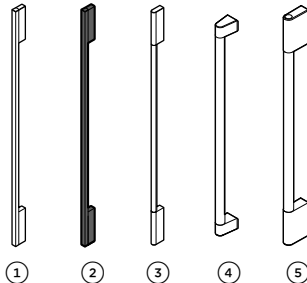
Stainless Steel Panels



Custom Door Panels



Custom Door Panels and Assisted Opening Accessory



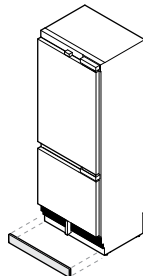
Accessory Handles



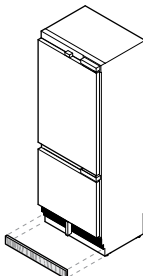
Custom Handle



No handle

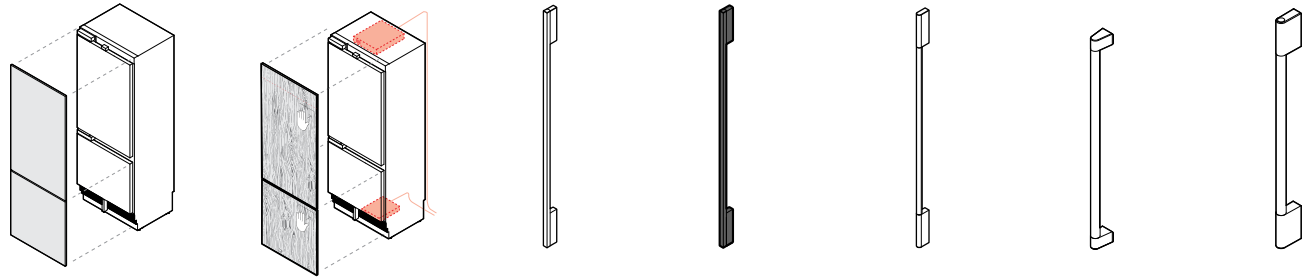


Stainless Steel Toe Kick



Custom Toe Kick

ACCESSORIES OVERVIEW | INTEGRATED COLUMNS



MODELS

REFRIGERATOR/FREEZER

| | STAINLESS STEEL DOOR PANEL | ASSISTED OPENING ACCESSORIES Availability Q3 2024 | ① HANDLE SQUARE FINE | ② HANDLE SQUARE FINE | ③ HANDLE ROUND | ④ HANDLE PROFESSIONAL | ⑤ HANDLE CLASSIC |
|--------------------------------------|----------------------------|--|----------------------|----------------------|----------------|-----------------------|------------------|
| ① RS9121WRUVK - 91.4cm - Right Hinge | RDW9121WRD | OPINEX1RSW | AHD5RD9121W | AHD5RD9121WB | AHSRD9121W | AHP3RD9121W | AHCLRD9121W |
| ② RS7621WRUK - 76.2cm - Right Hinge | RDW7621WRD | OPINEX1RSW | AHD5RD7621W | AHD5RD7621WB | AHSRD7621W | AHP3RD7621W | AHCLRD7621W |
| ③ RS6121WRUK - 60.3cm - Right Hinge | RDW6121WRD | OPINEX1RSW | AHD5RD6121W | AHD5RD6121WB | AHSRD6121W | AHP3RD6121W | AHCLRD6121W |
| ④ RS9121WLUVK - 91.4cm - Left Hinge | RDW9121WLD | OPINEX1RSW | AHD5RD9121W | AHD5RD9121WB | AHSRD9121W | AHP3RD9121W | AHCLRD9121W |
| ⑤ RS7621WLUK - 76.2cm - Left Hinge | RDW7621WLD | OPINEX1RSW | AHD5RD7621W | AHD5RD7621WB | AHSRD7621W | AHP3RD7621W | AHCLRD7621W |
| ⑥ RS6121WLUK - 60.3cm - Left Hinge | RDW6121WLD | OPINEX1RSW | AHD5RD6121W | AHD5RD6121WB | AHSRD6121W | AHP3RD6121W | AHCLRD6121W |

FREEZER

| | | | | | | | |
|-------------------------------------|------------|-------|----------|-----------|---------|----------|----------|
| ⑦ RS7621FRJK - 76.2cm - Right Hinge | RD7621R10D | OPEX1 | AHD5RDSF | AHD5RDSFB | AHSRDSF | AHP3RDSF | AHCLRDSF |
| ⑧ RS6121FRJK - 60.3cm - Right Hinge | RD6121R10D | OPEX1 | AHD5RDSF | AHD5RDSFB | AHSRDSF | AHP3RDSF | AHCLRDSF |
| ⑨ RS4621FRJK - 45.7cm - Right Hinge | RD4621R10D | OPEX1 | AHD5RDSF | AHD5RDSFB | AHSRDSF | AHP3RDSF | AHCLRDSF |
| ⑩ RS7621FLJK - 76.2cm - Left Hinge | RD7621L10D | OPEX1 | AHD5RDSF | AHD5RDSFB | AHSRDSF | AHP3RDSF | AHCLRDSF |
| ⑪ RS6121FLJK - 60.3cm - Left Hinge | RD6121L10D | OPEX1 | AHD5RDSF | AHD5RDSFB | AHSRDSF | AHP3RDSF | AHCLRDSF |
| ⑫ RS4621FLJK - 45.7 cm - Left Hinge | RD4621L10D | OPEX1 | AHD5RDSF | AHD5RDSFB | AHSRDSF | AHP3RDSF | AHCLRDSF |

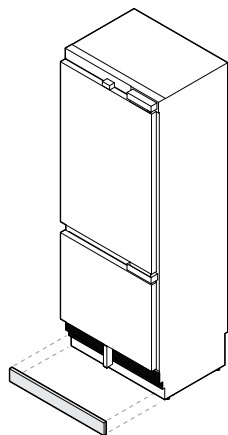
REFRIGERATOR

| | | | | | | | |
|-------------------------------------|------------|-------|----------|-----------|---------|----------|----------|
| ⑬ RS7621SRHK - 76.2cm - Right Hinge | RD7621R10D | OPEX1 | AHD5RDSF | AHD5RDSFB | AHSRDSF | AHP3RDSF | AHCLRDSF |
| ⑭ RS6121SRHK - 60.3cm - Right Hinge | RD6121R10D | OPEX1 | AHD5RDSF | AHD5RDSFB | AHSRDSF | AHP3RDSF | AHCLRDSF |
| ⑮ RS7621SLHK - 76.2cm - Left Hinge | RD7621L10D | OPEX1 | AHD5RDSF | AHD5RDSFB | AHSRDSF | AHP3RDSF | AHCLRDSF |
| ⑯ RS6121SLHK - 60.3cm - Left Hinge | RD6121L10D | OPEX1 | AHD5RDSF | AHD5RDSFB | AHSRDSF | AHP3RDSF | AHCLRDSF |

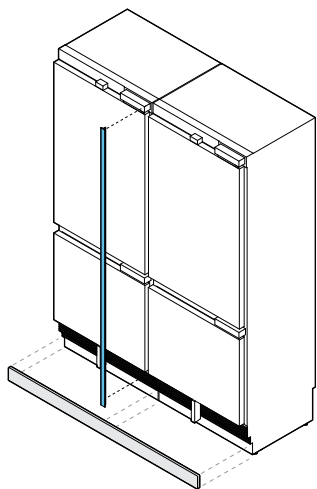
WINE

| | | | | | | | |
|-------------------------------------|-----------|-------|----------|-----------|---------|----------|----------|
| ⑰ RS6121VR2K - 60.3cm - Right Hinge | RD6121VR4 | OPEX1 | AHD5RDSF | AHD5RDSFB | AHSRDSF | AHP3RDSF | AHCLRDSF |
| ⑱ RS6121VL2K - 60.3cm - Left Hinge | RD6121VL4 | OPEX1 | AHD5RDSF | AHD5RDSFB | AHSRDSF | AHP3RDSF | AHCLRDSF |

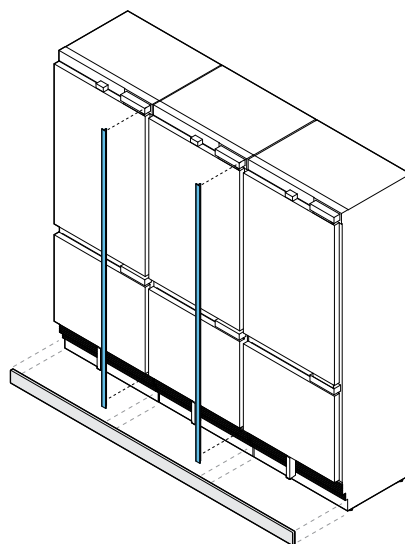
Custom door panels and toe kicks to be manufactured by joiner/cabinetmaker



Single installation
No Joiner Kit required



Dual installation
1 Joiner Kit required



Triple installation
2 Joiner Kits required

JOINER KIT INFORMATION

1x Joiner Kit (AJ-RS21LR) supplied with the following Freezer and Wine Models.

FREEZER

RS7621FRJK, RS7621FLJK

RS6121FRJK, RS6121FLJK

RS4621FRJK, RS4621FLJK

WINE

RS6121VR2K, RS6121VL2K

Additional Joiner Kits, AJ-RS21LR available

No Joiner Kit supplied with the following Refrigeration/Freezer and Refrigerator Models.

REFRIGERATOR/FREEZER

RS9121WRUVK, RS9121WLUVK

RS7621WRUK, RS7621WLUK

RS6121WRUK, RS6121WLUK

REFRIGERATOR

RS7621SRHK, RS7621SLHK

RS6121SRHK, RS6121SLHK

Additional Joiner Kits, AJ-RS21LR available

STAINLESS STEEL TOE KICK

SINGLE INSTALLATION

| | |
|-------------------|----------|
| All 45.7cm models | AKRS4621 |
| All 60.3cm models | AKRS6121 |
| All 76.2cm models | AKRS7621 |
| All 91.4cm models | AKRS9121 |

DUAL INSTALLATION

| | |
|-----------------|-----------|
| 45.7cm + 60.3cm | AKRS10710 |
| 45.7cm + 76.2cm | AKRS12210 |
| 45.7cm + 91.4cm | AKRS13710 |
| 60.3cm + 60.3cm | AKRS12210 |
| 60.3cm + 76.2cm | AKRS13710 |
| 60.3cm + 91.4cm | AKRS15210 |
| 76.2cm + 76.2cm | AKRS15210 |
| 76.2cm + 91.4cm | AKRS16810 |
| 91.4cm + 91.4cm | AKRS18310 |

TRIPLE INSTALLATION

| | |
|--------------------------|-----------|
| 45.7cm + 60.3cm + 60.3cm | AKRS16810 |
| 60.3cm + 60.3cm + 60.3cm | AKRS18310 |
| 76.2cm + 60.3cm + 60.3cm | AKRS19810 |
| 76.2cm + 76.2cm + 60.3cm | AKRS21310 |

