

Series 9 Contemporary Tall Built-under Dishwasher

Contemporary



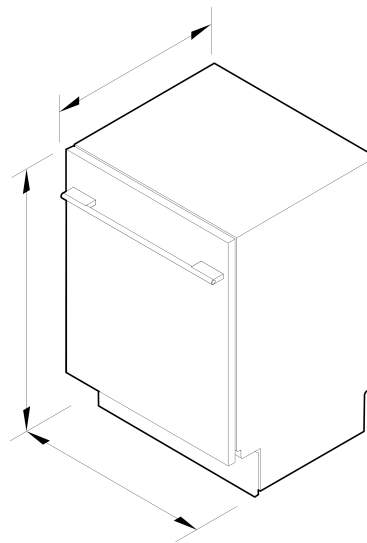
A tall built-under dishwasher with considered detailing and seamless integration, offering increased internal height for larger cookware and entertaining essentials. Telescopic slide racking supports flexible loading, complemented by interior illumination for improved visibility throughout. Auto sensing technology adjusts water and wash intensity automatically, and quiet performance suits open plan living.

- Designed to maximise usable space, with pitch-adjustable tines for deeper dishes and bowls
- Auto sensing wash adjusts water and wash intensity to suit each load

- Auto Door Open Dry releases excess steam, while an Air Curtain directs it away from surrounding cabinetry
- Wi-Fi enabled and works with the SmartHQ™ app for remote control and notifications

DIMENSIONS

Height	857 - 917 mm
Width	597 mm
Depth	580 mm



SPECIFICATIONS

Accessories (included)

Cutlery basket	•
Kickstrip	true

Capacity and loading

Accommodates angled platters or baking trays up to (lower basket)	370 mm
Accommodates round plates up to (lower basket)	325mm
Accommodates round plates up to (top basket)	220mm (with cutlery tray)
Adjustable height, foldable cupracks	•
Easy lift adjustable upper basket	•
Fold down tines	•
Full width cutlery/utensil tray	•
Height adjustable rear wine glass supports	•
Large crockery insert in lower basket	•
Pitch adjustable tines	•
Place settings	15
Place settings	15
Telescopic slides	•
Wine glass supports with stemware grippers	•

Connected Features

Alerts and notifications	•
Education and onboarding	•
Energy consumption monitoring	•
Monitoring	•
Remote operation	•
Software updates	•

Consumption

Energy rating	4.5 star
Energy usage	206kWh/year

In-use energy carbon emissions estimate	19.6kgCO₂e/year
Water consumption (per wash cycle)	11.1L
Water rating	5.5 star (WELS)

Power requirements	
Amperage	10A
Supply frequency	50Hz
Supply voltage	220 - 240V

Water connection	
Water pressure	30kPa - 1000 kPa
Water supply	3/4" BSP (20mm) Connector Water Inlet Hose

Controls

Energy saving delay start option of up to 24 hours	•
Floor light cycle feedback	•
Internal light	•
Internal wash selector	•
Keylock	•
Rinse aid indicator light	•
Smart appliance	•

Product dimensions

Depth	580 mm
Height	857 - 917 mm
Width	597 mm

SKU 85796

The product dimensions and specifications in this page apply to the specific product and model. Under our policy of continuous improvement, these dimensions and specifications may change at any time. You should therefore check with Fisher & Paykel's Customer Care Centre to ensure this page correctly describes the model currently available. © Fisher & Paykel Appliances Ltd 2020

Features

Air curtain for bench protection	•
Aquastop	•
Auto Door Open Dry	•
Fan assisted drying	•
Flood protection	•
Fully independent spray arms	•
Half load option	•
Internal tub material	Stainless Steel
Motor type	BLDC
Three-stage filtration system	•
Variable wash pressure technology	•

Wash Program Modifiers

Dry +	•
Half load	•
Intensive	•
Sanitise	•
Wash modifiers	4

Other product downloads available at fisherpaykel.com

- [↓](#) First Use Dishwasher
- [↓](#) Installation Guide Dishwasher
- [↓](#) Planning Guide (English)
- [↓](#) Safety Guide Dishwasher

Wash Programs

60 min	•
Auto	•
Eco	•
Glassware	•
Heavy	•
Light	•
Medium	•
Rinse	•
Wash programs	8

Where applicable:

All appliances use energy, and energy usage typically generates carbon emissions. **Fisher & Paykel Appliances' In-use Energy Carbon Emissions Estimate** indicates carbon emissions from a product's in-use energy. This is calculated either annually or per cycle, using the product's market-specific energy label energy consumption data multiplied by the carbon emissions factor for energy in your country or region.

Performance

Noise emissions	42 dBA
-----------------	---------------

Our In-use Energy Carbon Emissions Estimate is designed to assist customers in making informed purchasing decisions when comparing different Fisher & Paykel products. For example, a heat pump dryer typically has a lower In-use Energy Carbon Emissions Estimate than a vented dryer.



A PEACE OF MIND SALE
24 Hours 7 Days a Week Customer Support
T 0800 372 273 W www.fisherpaykel.com