

## 8kg Series 5 Contemporary Heat Pump Dryer, Woolmark Black

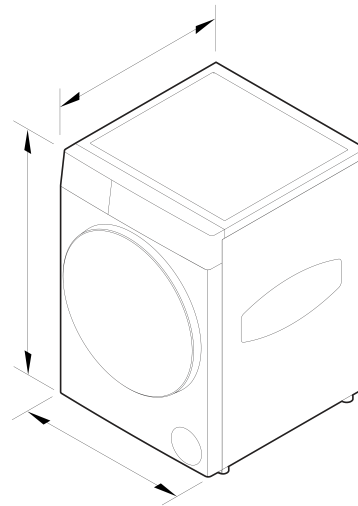


A Heat Pump Dryer with all the essentials, thoughtfully designed for simple convenience. Refined design and simple controls deliver care that fits seamlessly into everyday life.

- Gentle care for 4 fibre types, including Mixed loads and Wool
- Wide temperature range for ideal drying conditions
- Woolmark Black certified for machine-washable woollens
- Connect SmartHQ™ for notifications, guides and extra functions

### DIMENSIONS

Height	850 mm
Width	602 mm
Depth	682 mm



### FEATURES & BENEFITS

#### ESSENTIAL CARE FOR EVERYDAY

Fisher & Paykel Series 5 Dryers deliver fabric care you know and trust, now made smarter. Gentle Heat Pump technology dries at lower temperatures to protect fibres and reduce energy use. Each fibre's molecular structure affects how moisture evaporates, so Fibre-Led cycles including Cotton, Polyester, and Woolmark Black certified Wool are fine-tuned to the ideal temperature and duration, helping preserve softness, shape and extend the life of your garments.

#### HEAT PUMP TECHNOLOGY

Heat Pump technology combines advanced temperature control and moisture sensing for gentle, energy-efficient drying. Now with a temperature range four times greater than our previous technology, cycles are finely tuned to the natural moisture of each fibre. Cotton cycles retain softness and structure, while Polyester cycles avoid over-drying, so every load is dried perfectly.

#### STEAM REFRESH

Clothes emerge dry, smooth, and ready to wear with Steam Refresh. Gently relaxing fibres, it reduces wrinkles and odours in garments like Cotton shirts. Steam applies just enough heat and moisture to loosen the bonds that cause creases, without fully saturating the fabric, preserving its natural breathability and durability.

#### ANTI-TANGLE TECHNOLOGY

TangleProtect keeps garments moving freely throughout the cycle, ideal for maintaining the shape and smoothness of Cotton fabrics. Alternating drum motion reduces twisting and clumping, minimising the opportunity for wrinkles to form. It also prevents unnecessary heat exposure and ensures every item is evenly dried, helping to extend the life of your garments.

#### GENTLE DRYING FOR WOOL

Machine-washable Wool garments can be safely dried without shrinking or stretching with Woolmark Black certified cycles. Wool's protein fibres are delicate when wet, and heat can easily alter their natural structure. Finely controlled temperature and airflow preserve softness, shape, and fit, so sweaters emerge perfectly cared for and ready to wear.

#### TAILORED ITEM TYPES

We recognise that Sheets and Towels have unique needs. Dedicated Item Types dry Sheets evenly without tangling and keep Towels soft, warm and fully dry. By drying to the perfect level, Cotton Towels and Sheets maintain their natural strength and soft texture.

**DESIGNED TO MATCH**

Our most perfect pair yet, reimagined for modern living. Designed to complement one another in both form and function, our Front Loader Washers and Heat Pump Dryers feature refined materials, large doors and complementary cycles that work in harmony to care for every fibre. An angled interface and a newly positioned lint filter on the dryer creates a seamless fabric care experience that's elevated beyond the utility space.

**SPECIFICATIONS**

**Capacity**

Total capacity **8 kg**

**Connected Features**

Alerts and notifications •  
 Cyber security updates until **12 / 09 / 2029**  
 Education and onboarding •  
 Monitoring •  
 Remote operation •  
 Software updates •

**Consumption**

Energy rating **9 star**  
 Energy usage **113kWh**

**Controls**

Interface type **LED touch display**

**Features**

Child/Keylock •  
 Clean condenser filter reminder •  
 Clean door lint filter reminder •  
 Crease Free •  
 Drain Hose •  
 Drum light •  
 Easy access lint filter •  
 Easy clean condenser filter •  
 End of cycle signal •  
 Favourite cycle **Multiple**  
 Front and back levelling feet •  
 No external venting •  
 Removable water tank •  
 Reversible door •  
 Smart appliance •  
 Stainless steel drum •  
 Water tank full indicator •  
 Woolmark certified **Woolmark Black**

**Performance**

Auto sensing •  
 Compressor type **Fixed speed**  
 Delay start •  
 Dryness settings **4**  
 Heat pump technology •  
 Refrigerant type **R290**  
 Reverse tumbling **Full reverse tumbling**  
 TangleProtect •  
 Time dry •

**Product dimensions**

Depth **682 mm**  
 Height **850 mm**  
 Width **602 mm**

SKU **93302**

The product dimensions and specifications in this page apply to the specific product and model. Under our policy of continuous improvement, these dimensions and specifications may change at any time. You should therefore check with Fisher & Paykel's Customer Care Centre to ensure this page correctly describes the model currently available. © Fisher & Paykel Appliances Ltd 2020

**Other product downloads available at fisherpaykel.com**

- [↓](#) Energy Label
- [↓](#) Installation Guide - Dryer (English)
- [↓](#) Installation Guide - Side by Side (English)
- [↓](#) Installation Guide - Stacked (English)
- [↓](#) Planning Guide (English)
- [↓](#) Revit
- [↓](#) Rhino
- [↓](#) Introducing Fabric Care Solutions (English)
- [↓](#) Sketchup
- [↓](#) User Guide (English)

**Where applicable:**

All appliances use energy, and energy usage typically generates carbon emissions. **Fisher & Paykel Appliances' In-use Energy Carbon Emissions Estimate** indicates carbon emissions from a product's in-use energy. This is calculated either annually or per cycle, using the product's market-specific energy label energy consumption data multiplied by the carbon emissions factor for energy in your country or region.

Our In-use Energy Carbon Emissions Estimate is designed to assist customers in making informed purchasing decisions when comparing different Fisher & Paykel products. For example, a heat pump dryer typically has a lower In-use Energy Carbon Emissions Estimate than a vented dryer.



**A PEACE OF MIND SALE**  
24 Hours 7 Days a Week Customer Support  
T 1300 650 590 W [www.fisherpaykel.com](http://www.fisherpaykel.com)