

76cm Series 9 Contemporary Compact Combi-Steam Oven

Contemporary

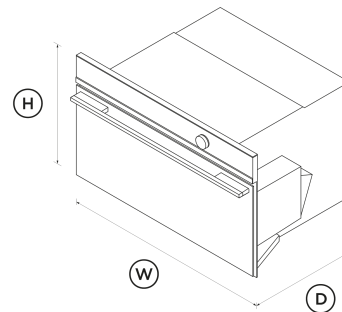


Designed for the home chef, our Combination Steam Oven simplifies the creation of healthy and delicious meals.

- 23 oven functions including Steam, Sous Vide, Air Fry and Crisp Regenerate
- Guided touchscreen cooking makes it simple to navigate cooking processes
- Help reduce food waste by rejuvenating leftovers with steam for fresh-tasting roasts, and risottos and more
- Easily maintain a spotless oven; Steam Clean lifts stubborn spills for quick wipe-downs

DIMENSIONS

Height	458 mm
Width	760 mm
Depth	565 mm



FEATURES & BENEFITS

Combination cooking

Elevate every ingredient with combination steam cooking. By blending dry convection heat with adjustable steam levels, you can preserve the delicate texture of seafood like salmon and snapper, maintain the essential vitamins and minerals in greens, and enhance the rich flavours of prime cuts of meat.

Mastery of temperature

Steam is eight times more efficient at conducting heat than convection, which means our combi steam oven can cook at reduced times and lower temperatures. It perfectly balances steam with convection heat, ensuring exceptional temperature accuracy for perfect roasting and crafting signature dishes.

Preserve flavour and nutrients

Perfect for delicate dishes like snapper or salmon, steam cooking preserves nutrients and texture, offering a healthier way to enjoy meals. With specialised steam functions, including Sous Vide, the combi steam oven brings out the best in every ingredient, ensuring your creations are both nutritious and delicious.

Cook with confidence

Using the large 5" touchscreen interface, you can cook with a favourite method, hero ingredient, cooking function, or recipe. Your oven will guide you through the steps, or change the temperature and heat type automatically, depending on your selection.

Reheat and restore

Revitalise your leftovers with our Steam Regenerate function, ensuring dishes like roast chicken and risotto maintain their freshness and flavour. For that just-baked quality in pastries, bread, and pizza, opt for our Crisp Regenerate setting, which reheats to keep every bite deliciously crispy.

Complementary design

Every detail has been carefully crafted from the finest materials to enhance your kitchen's aesthetic, perfectly suiting your design style. Pair it with a Vacuum Seal Drawer for the ultimate kitchen solution.

Steam clean

Keep your oven spotless with the natural power of steam. The steam clean feature helps tackle stubborn spills, allowing for a quick wipe-down.

SPECIFICATIONS

Accessories (included)		Steam clean (oven)	•	Functions	
Catalytic panels	•			Air fry	•
Descaler solution	2	Connected Features		Bake	•
Flat brushed baking tray	1	Cyber security updates until	27 / 07 / 2029	Classic bake	•
Full extension sliding shelves	1			Crisp regenerate	•
Grill rack	1 set	Controls		Fan bake	•
Large steam dish	1	Adjustable audio and display settings	•	Fan forced	•
Perforated large steam dish	1	Audio feedback	•	Fan forced + High steam	•
Perforated small steam dish	1	Automatic cooking/minute timer	•	Fan forced + Low steam	•
Roasting dish	1	Automatic pre-set temperatures	•	Fan forced + Medium steam	•
Wire shelf	1	Celsius/Fahrenheit temperature	•	Fan grill	•
Wired temperature sensor	1	Delay start	•	Grill	•
		Dial with illuminated halo	•	Pastry Bake	•
Capacity		Electronic capacitive touch controls	•	Pizza bake	•
Shelf positions	4	Electronic clock	•	Roast	•
Total capacity	55 L	Electronic oven control	•	Slow cook	•
Usable capacity	45 L	Guided cooking	•	Sous vide	•
Water tank capacity	1.4L	Internal Light	•	Steam	•
		Intuitive touchscreen display	•	Steam clean (oven)	•
Cleaning		Multi-language display	true	Steam defrost	•
Acid resistant graphite enamel	•	Sabbath mode with Mehadrin certification	•	Steam proof	•
Descaler cycle	•	Smart appliance	•	Steam regenerate	•
Drying cycle	•	Soft close doors	•	Vent bake	•
Easy to clean interior	•	Temperature sensor	•	Warm	•
Removable oven door	•	Touch control glass interface	•		
Removable oven door inner glass	•	True convection oven	•	Power requirements	
Removable side ladders	•	Voice control	•	Amperage	20 A
Removable water tank	•	Wireless temperature sensor compatible	•	Supply frequency	50 Hz
				Supply voltage	220-240 V

Product dimensions

Depth	565 mm
Height	458 mm
Width	760 mm

SKU	84721
-----	-------

The product dimensions and specifications in this page apply to the specific product and model. Under our policy of continuous improvement, these dimensions and specifications may change at any time. You should therefore check with Fisher & Paykel's Customer Care Centre to ensure this page correctly describes the model currently available. © Fisher & Paykel Appliances Ltd 2020

All appliances use energy, and energy usage typically generates carbon emissions. **Fisher & Paykel Appliances' In-use Energy Carbon Emissions Estimate** indicates carbon emissions from a product's in-use energy. This is calculated either annually or per cycle, using the product's market-specific energy label energy consumption data multiplied by the carbon emissions factor for energy in your country or region.

Our In-use Energy Carbon Emissions Estimate is designed to assist customers in making informed purchasing decisions when comparing different Fisher & Paykel products. For example, a heat pump dryer typically has a lower In-use Energy Carbon Emissions Estimate than a vented dryer.



A PEACE OF MIND SALE
24 Hours 7 Days a Week Customer Support

T 1300 650 590 [Wwww.fisherpaykel.com](http://www.fisherpaykel.com)

Other product downloads available at fisherpaykel.com

- [↓](#) DWG
- [↓](#) DXF
- [↓](#) Installation Guide (English)
- [↓](#) Planning Guide - Contemporary Black 76cm Built-in Ovens and Companions (English)
- [↓](#) Revit
- [↓](#) Rhino
- [↓](#) SketchUp
- [↓](#) User Guide (English)

Where applicable: