

# Oven, 60cm, 7 Function

Series 5 | Contemporary

Stainless Steel

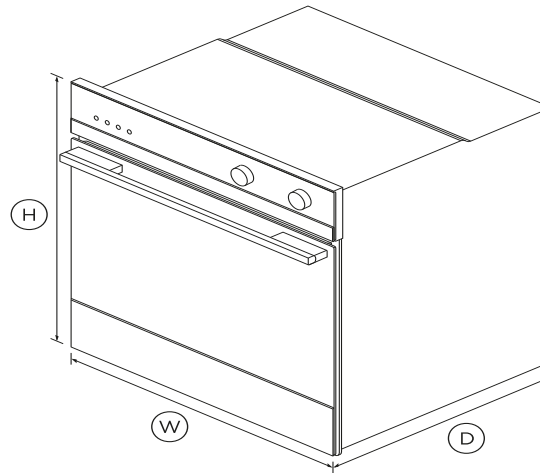


With generous capacity and beautiful contemporary styling, this built-in oven will complement your kitchen design perfectly.

- 85L total capacity
- Seven oven functions including Pizza Bake
- Optional non-tip, full-extension shelves for safe removal of hot dishes

## DIMENSIONS

<b>Height</b>	<b>598mm</b>
<b>Width</b>	<b>597mm</b>
<b>Depth</b>	<b>565mm</b>



## FEATURES & BENEFITS

### Multi-Function Flexibility

This built-in oven has seven functions including Bake, Fan Bake and Pizza Bake, allowing you to use a variety of cooking styles.

### GENEROUS CAPACITY

With a generous sized internal cavity of 85L total capacity, you can create several dishes at once using multiple shelves.

### Consistently hot

Ideal for multi-shelf cooking, this built-in oven features

AeroTech™ - a technology that circulates heat evenly.

### Fast and Easy Cleaning

Cleaning this built-in oven is quick and easy thanks to the catalytic liners which absorb oil and fat splashes during cooking.

### Refined styling

With sophisticated handle styling and a white or brushed stainless steel finish, our built-in ovens are designed to match the rest of Fisher & Paykel's kitchen appliance family.

### Safe and sound

The CoolTouch door of this built-in oven is safe to touch from the outside. Sturdy, fully extendable shelves slide all the way out, reducing the need for you to reach inside.

## SPECIFICATIONS

### Accessories

Chromed shelf runners	•
Roasting dish	1

### Accessories (sold separately)

Handle kit Contemporary	<b>Part 81645</b>
-------------------------	-------------------

### Capacity

Shelf positions	<b>6</b>
Total capacity	<b>85L</b>
Usable capacity	<b>72L</b>

### Cleaning

Acid resistant graphite enamel	•
Removable oven door	•
Removable oven door inner	•

Removable shelf runners •

**Controls**

- Adjustable audio and display •
- Audio feedback •
- Automatic cooking/minute •
- Delay start •
- Electronic clock •
- Electronic oven control •
- Soft close doors •
- True convection oven •

**Functions**

- Bake •
- Classic bake •
- Fan bake •
- Fan forced •
- Fan grill •
- Grill •
- Number of functions 7
- Pastry Bake with Pizza mode •
- Pizza bake •

**Performance**

- AeroTech Technology •
- Grill power 3000W
- Whisper quiet cooking •

**Power requirements**

Amperage 15A

Supply frequency 50Hz

Supply voltage 220 - 240V

**Product dimensions**

Depth 565mm

Height 598mm

Width 597mm

**Safety**

- Balanced oven door •
- CoolTouch door •
- Non-tip shelves •


**Warranty**

Parts and labour 1 year

SKU 81881

The product dimensions and specifications in this page apply to the specific product and model. Under our policy of continuous improvement, these dimensions and specifications may change at any time. You should therefore check with Fisher & Paykel's Customer Care Centre to ensure this page correctly describes the model currently available. ? Fisher & Paykel Appliances Ltd 2020

**Other product downloads available at fisherpaykel.com**

- [↓](#)  ZH
- [↓](#) Service & Warranty
- [↓](#) Installation Guide
- [↓](#) Data Sheet Oven



**A PEACE OF MIND SALE**

24 Hours 7 Days a Week Customer Support

T 400 640 8777 Wwww.fisherpaykel.com