

FISHER & PAYKEL

SPECIFICATION GUIDE

BUILT-IN COFFEE MAKER, 24"



OVERVIEW

With 13 beverage options, our Coffee Maker is designed to consistently make your coffee just the way you like it

MODELS

Built-in Coffee Maker, 24"

Black with stainless steel
EB24DSXB1

Trim Kit, 30"

Black with stainless steel
TK30NDB1

SERIES & STYLE

Series 9
Contemporary Style

MODELS

Built-in Coffee Maker, 24"

Black
EB24DSXBB1

Trim Kit, 30"

Black
TK30NDBB1

SERIES & STYLE

Series 9
Minimal Style

FEATURES

- ① Choice of stainless steel or elegant black trim
- ② Install in multiple configurations to suit your kitchen design
- ③ Optional 30" trim kit allows seamless vertical configuration when paired with a Fisher & Paykel 30" Oven
- ④ Intuitive touch display
- ⑤ 13 different choices from Espresso to Latte
- ⑥ Program your favorite setting
- ⑦ 15 bar pump pressure
- ⑧ Stainless steel conical burr grinder with 13 grinding coarseness positions
- ⑨ Self-cleaning function and easy to empty coffee grounds container and drip tray
- ⑩ 84.5 fl oz water tank capacity

ACCESSORIES

- ① Optional 30" trim kit
- ② Thermal milk jug
- ③ Extractable steam outlet
- ④ Coffee spoon
- ⑤ Descaling agent and water filter

FISHER & PAYKEL

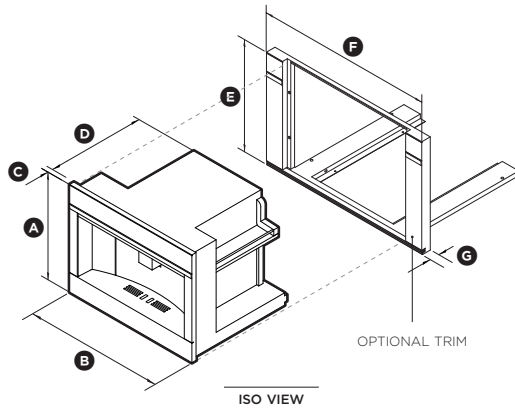
SPECIFICATION GUIDE

BUILT-IN COFFEE MAKER, 24"

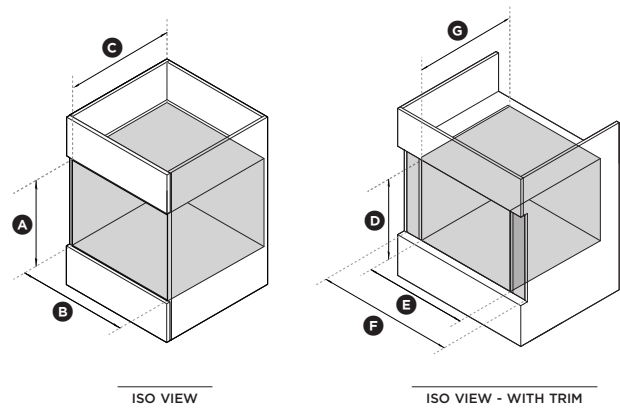
SPECIFICATIONS

Model No.	EB24SDSXB1 (Optional 30" Trim Kit TK30NDB1) EB24SDSXB1 (Optional 30" Trim Kit TK30NDBB1)
Dimensions	H 18 1/16" (458mm) x W 23 1/2" (596mm) x D 18 15/16" (450mm)
Weight	21kg (46lb)
Electrical	
Supply	120V 60Hz
Service	10-Amp circuit
Receptacle	Mains flex

PRODUCT DIMENSIONS



CAVITY DIMENSIONS: STANDARD INSTALLATION



		in	mm
(A)	Overall height of coffee maker	18 1/16	458
(B)	Overall width of coffee maker	23 1/2	596
(C)	Depth of coffee maker front and control panel	13/16	20
(D)	Depth of coffee maker chassis	18 1/8	460
(E)	Height of optional trim	18 13/16	478
(F)	Width of optional trim	29 13/16	757
(G)	Depth of optional trim front	1 5/8	42

		in	mm
(A)	Minimum inside height of cavity	17 3/4	450
(B)	Minimum inside width of cavity	22 1/16	560
(C)	Minimum inside depth of cavity	21 1/2	545
(D)	Height of cavity with trim	18 1/2	470
(E)	Minimum inside width of cavity with trim	22 1/16	560
(F)	Width needed to include trim within cabinetry	29 15/16	761
(G)	Minimum inside depth of cavity with trim - proud install	22 1/16	560
	Minimum inside depth of cavity with trim - flush install	22 1/2	572

Note: Ventilation required at the rear of the cavity.