

DISHWASHER – DW24U2I MODELS

US CA

For detailed information on the features of your dishwasher

➤ see your 'User guide'

For warranty information

➤ see your 'Service and warranty' booklet

If you...

- have any questions or comments
- need a Fisher & Paykel authorized technician to service your product
- need replacement parts or accessories
- want to register your product

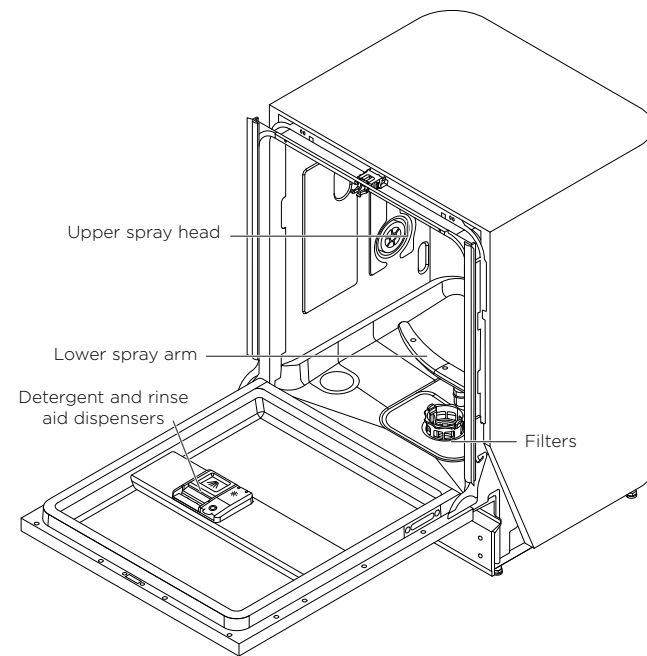
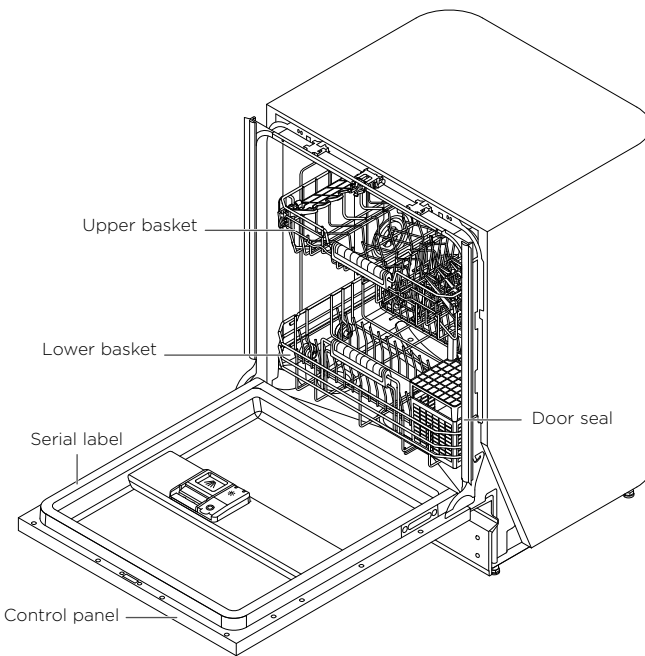
➤ see your 'Service and warranty' booklet or contact us

➤ USCA toll-free, 24/7 1.888.936.7872

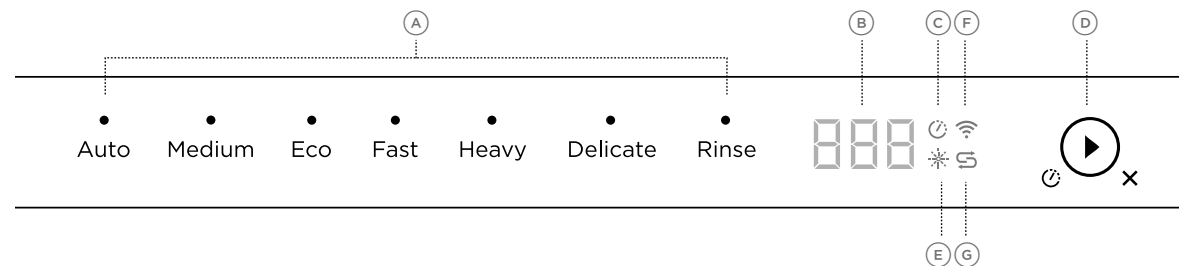
www.fisherpaykel.com

PRODUCT OVERVIEW

Ensure the installer has removed all packaging and completed the 'Final checklist' in the Installation instructions.



CONTROLS OVERVIEW



Off/On
Open/Close the door to turn the dishwasher on or off.

A Wash programme selectors
Touch desired wash programme to select.

Auto	Senses the optimal wash programme for your dishes
Medium	Dishes that are quite heavily soiled or food soils that have been left to dry overnight
Eco	Normally soiled dishes for optimum water and energy usage
Fast	Lightly soiled dishes
Heavy	Heavily soiled pots, pans and dishes
Delicate	For lightly soiled and heat sensitive crockery
Rinse	Prevents odours and soils from drying on dishes

B Display
Shows:
- the time remaining (minutes)
- the delay start time (hours)
- Fault code numbers (see 'If there is a fault code').

C Delay start indicator
If lit: start is delayed.

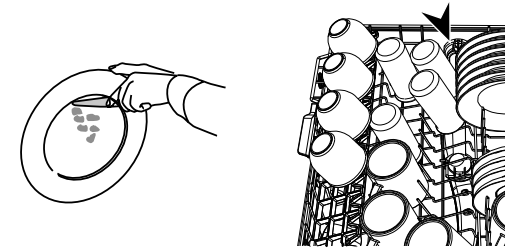
D Start wash or set Delay start
Touch ▶ to start. Hold ▶ to set delay start (see 'Set Delay start').

E Rinse aid indicator
If lit: Rinse aid dispenser requires filling.

F Wireless indicator (not available on this product)

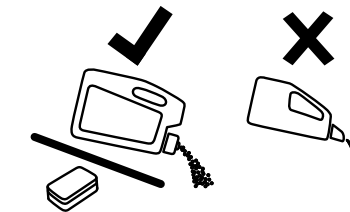
G Salt indicator (not available on this product)

STARTING A WASH



- 1 Discard food scraps and load dishes carefully**
- Scrape large food particles off (eg bones, fruit stones) and remove any foreign objects (eg toothpicks, strings, paper).
 - To help with wash performance, arrange dishes so they are evenly spaced and not nesting.
- Note: maximum plate height is 260mm.

For more detail, see User guide:
- 'Caring for your dinnerware'
- 'Loading advice'



- 2 Add detergent**
Fill the detergent dispenser with powdered detergent and close the dispenser door or place a dishwasher tablet in the cutlery basket.

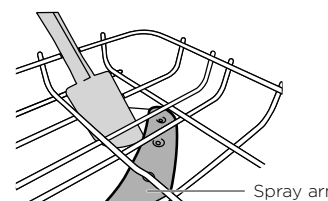
For more detail, see User guide:
- 'Water hardness and dishwashing'
- 'Wash programmes and detergent quantities'
- 'Adding detergent'



- 3 Turn power on (also check water is turned on)**
For more detail, see User guide:
- 'Controls and starting a wash'

- 4 Check rinse aid level, refill if necessary**
If the rinse aid level is low, the rinse aid indicator on the display will light up.
- Press the button to snap the dispenser cover open.
 - Pour rinse aid into the circular opening (up to the MAX marking).
 - Wipe up any spills and click shut the cover.

For more detail, see User guide:
- 'Using rinse aid'



- 5 Check that nothing obstructs the spray arms, then close the door firmly**



- 6 Select wash programme**
Touch desired programme to select.



- 7 Start wash**
- Touch ▶ and close door in 4 seconds to start the wash programme.
- OR set Delay start**
- Press and hold ▶ to enter delay start. Touch ▶ again to increase the time (in hours).

For more detail, see User guide:
- 'Setting Delay start'

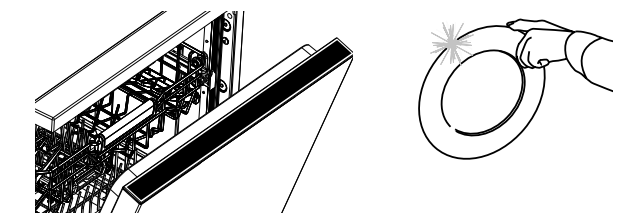
- Cancel a wash once it has started**
- Open the door carefully to pause the wash. Touch and hold ▶ until a beep is sounded. The wash cycle and modifiers will go out and the display will turn off.
 - If you wish, you can start a different programme. Note: you may need to refill the detergent dispenser.

Pause and restart a wash programme
Open the door carefully to pause the programme.

IMPORTANT!
There is a risk of being sprayed with hot water. Do not fully open the door until the spray arms have stopped rotating.

- The time remaining will flash and the pause beep will sound while the dishwasher is paused.
- Load, remove, or rearrange any dishes if needed.
- Press the start button and close the door in 4 seconds to restart the programme. If the dishwasher is not restarted within 7 minutes, it will then beep until the cycle is restarted.

AFTER THE WASH HAS ENDED



- 1** The dishwasher will beep. The display will show 0. After 30 seconds the display will turn off.
- 2** Open the door slightly and leave ajar to help drying. Once cooled, unload dishes carefully.

For more detail, see User guide:
- 'After the wash'

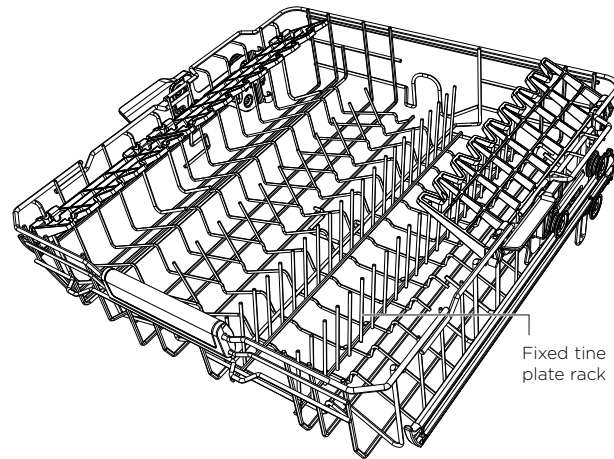
Check condition of dishwasher, clean if necessary.

UPPER BASKET

- The upper basket is designed to hold items like glasses, cups, saucers, plates, small bowls and shallow pans.
- Place larger utensils on or under the foldaway cup racks in the upper basket. Ensure that knife blades are facing down and that light weight items are weighted down or placed on the cupracks.

FIXED TINE PLATE RACK

- Use the fixed tine plate rack to support saucers, small plates and bowls.
- The tine spacing has been optimized for maximum wash performance of plates and bowls.
- The fixed tine plate rack is **not removable**.



Front right cup rack hidden from illustration

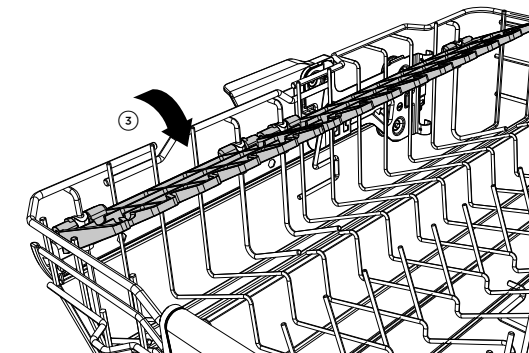
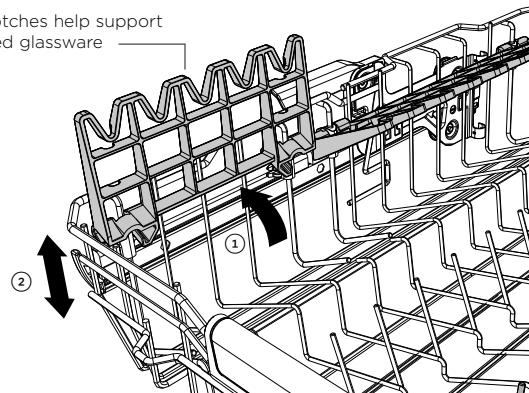
ADJUSTABLE FOLDAWAY CUP RACKS

- Use the cup racks to support mugs, cups and glassware, and to secure large utensils and knives.
- Adjust the height to suit the items stored on or below the racks.
- Fold the racks away if you need to make space for taller items.

You can adjust these independently of each other to any height

- 1 Fold up to unlock the rack.
- 2 Adjust the height to suit by sliding up or down.
- 3 Fold down to lock in position.

Stemware notches help support long-stemmed glassware

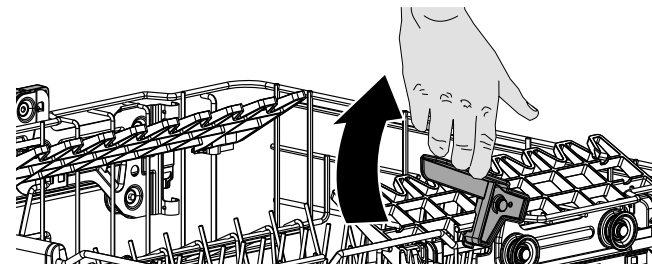


ADJUSTING THE HEIGHT OF THE UPPER BASKET

- Raise or lower the height of the upper basket to create more space for tall items in either basket (there are three positions to choose from).
- You can adjust the height even when it is fully loaded, as you do not have to remove it from the dishwasher.
- Make sure the basket is evenly adjusted on both sides and is level.
- If you are removing the basket fully, make sure that the runners are aligned at the same height on both sides before re-inserting.

Lower the basket

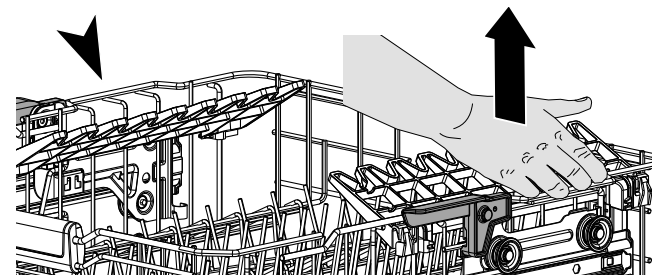
- Pull the lever up on one side and, without releasing it, carefully let the basket drop down.
- Use the other hand to support the opposite side of the basket, so that it doesn't drop suddenly and damage loaded dishes.
- Repeat for the other side.



Lift the basket

Hold it on one side and carefully pull upwards until it clicks into place. Repeat for the other side.

Note: you do not need to lift the levers up when raising the height of the basket back up.

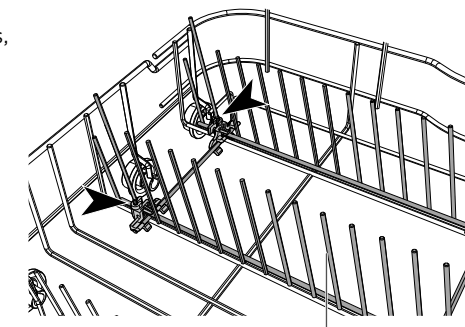


LOWER BASKET

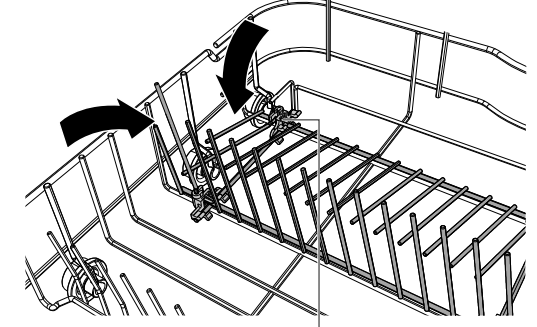
- Use the lower basket for your largest dishes: pots, pans, lids, serving dishes and bowls.
- Ensure dishware items do not block the spray arm above from rotating.
- Place larger plates between the longer tines to maximise stability.
- If you need more height for tall items, you can raise the upper basket. See instructions opposite.

FOLDING TINE RACK

- These tines can be folded down if you need the space for pots or other large items.
- Release by pushing the small clips at the rear and fold the tine sections down towards each other.



Folding tine racks

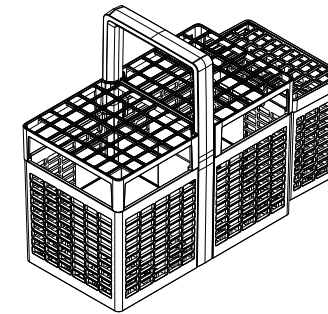


Release by pushing the small clips at the rear and fold the tine sections down towards each other

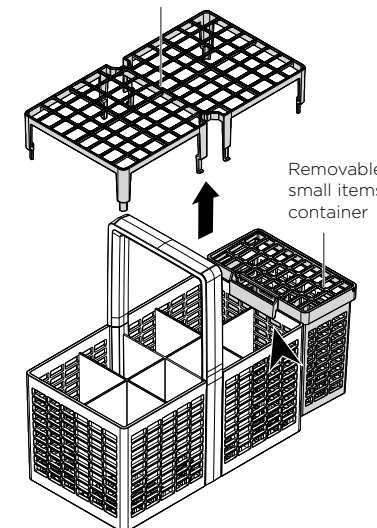
CUTLERY BASKET

REMOVABLE ANTI-NESTING GRID

- The anti-nesting grid clips onto the top of the cutlery basket.
- Use the grid to separate cutlery items and stop them nesting together.



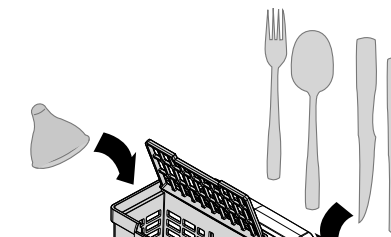
Removable anti-nesting grid



Removable small items container

LOADING

- To reduce the risk of injury, we recommend loading knives and sharp utensils with handles facing up.
- Mix spoons, knives and forks within each section to stop cutlery nesting together and to ensure the water circulates freely. Alternatively, use the clip-on anti-nesting grids to keep cutlery items apart.
- Keep stainless steel from touching silver cutlery to avoid staining.



REMOVABLE SMALL ITEMS CONTAINER

- Small, light items like baby bottle teats are best placed into the small items container to prevent them from being displaced during the wash.
- You can extend your cutlery basket by clipping the container on its side.
- To optimise the cutlery space within the basket, the small items container can be placed elsewhere in the basket. If laid flat, make sure the solid plastic side is facing up.
- If you place a fully laden small items container under the cup racks, it is best to leave the rack space directly above the container empty: there may not be enough water reaching items that are placed there.

