

# FISHER & PAYKEL

## DATA SHEET Convection Speed Oven

Model no:

**OM24NDB1, OM24NDBB1**

(refer page 2 for metric measurements)

Product Dimensions	inches
Ⓐ Overall height of oven	18 1/16"
Ⓑ Overall width of oven	23 1/2"
Ⓒ Overall depth of oven (excludes handle and front metal trim)	22 1/8"
Ⓓ Depth of oven frame, control panel and door (excludes handle and front metal trim)	7/8"
Ⓔ Depth of chassis (includes terminal block)	21 1/4"
Ⓕ Height of chassis	17 9/16"
Ⓖ Width of chassis	21 7/8"
Ⓜ Height from bottom datum to top of oven door	13 5/8"
Ⓣ Height of control panel	3 15/16"
Ⓤ Height of metal cap on control panel	13/16"
Ⓧ Height from bottom datum to centreline of handle	12 3/4"
Ⓦ Width of handle	22 1/4"
Ⓨ Depth of handle (measured from front of door)	1 5/8"
Ⓩ Thickness of handle	5/8"
ⓐ Distance from bottom datum to bottom of door glass	3/16"
ⓑ Depth of door (open) (measured from front of door)	12 5/8"

Minimum Clearances	inches
Minimum inside height of cavity	17 3/4"
Minimum inside width of cavity	22 1/16"
Minimum inside depth of cavity	22 1/16"
Overall height of cabinetry (cavity around front frame)	18 1/8"
Overall width of cabinetry (cavity around front frame)	23 5/8"
Rear ventilation air vent depth*	2"
Rear ventilation air vent width*	22 1/16"

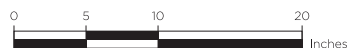
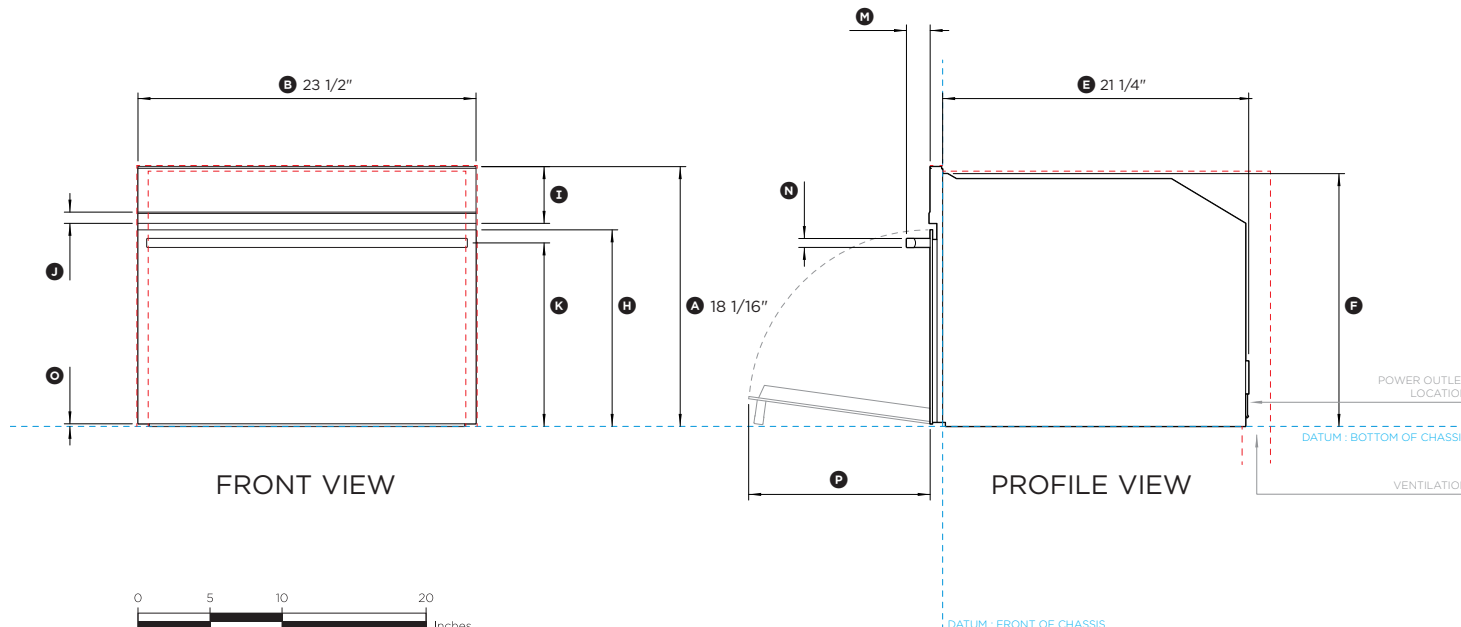
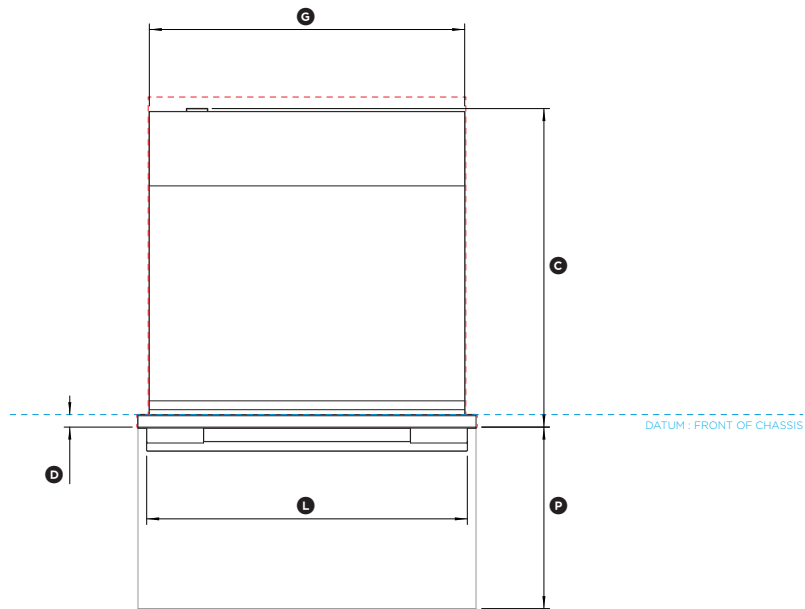
\*A rear ventilation air vent totalling 43.4in<sup>2</sup> is required. The air vent must be located at the rear of cabinet, it can be positioned at the base, sides, back or top of the cavity.

IMPORTANT NOTE: For full installation and clearance details please refer to our installation manual.

INDICATES PRODUCT DATUM -----  
INDICATES CABINETRY CLEARANCES - - - - -

DATE: **04.11.2019**

IMPORTANT NOTE: Throughout this guide, dimensions may vary by ±2mm (1/16"). Please read the installation manual for detailed information on installing the product. For full installation instructions & specifications visit [fisherpaykel.com](http://fisherpaykel.com)



DATUM : FRONT OF CHASSIS

# FISHER & PAYKEL

## DATA SHEET Convection Speed Oven

Model no:

**OM24NDB1, OM24NDBB1**

(refer page 1 for imperial measurements)

Product Dimensions	mm
Ⓐ Overall height of oven	458
Ⓑ Overall width of oven	596
Ⓒ Overall depth of oven (excludes handle and front metal trim)	562
Ⓓ Depth of oven frame, control panel and door (excludes handle and front metal trim)	22
Ⓔ Depth of chassis (includes terminal block)	540
Ⓕ Height of chassis	446
Ⓖ Width of chassis	556
Ⓜ Height from bottom datum to top of oven door	347
Ⓣ Height of control panel	100
Ⓤ Height of metal cap on control panel	20
Ⓧ Height from bottom datum to centreline of handle	324
Ⓦ Width of handle	565
Ⓨ Depth of handle (measured from front of door)	42
Ⓩ Thickness of handle	16
ⓐ Distance from bottom datum to bottom of door glass	5
ⓑ Depth of door (open) (measured from front of door)	320

Minimum Clearances	mm
Minimum inside height of cavity	450
Minimum inside width of cavity	560
Minimum inside depth of cavity	560
Overall height of cabinetry (cavity around front frame)	460
Overall width of cabinetry (cavity around front frame)	600
Rear ventilation air vent depth*	50
Rear ventilation air vent width*	560

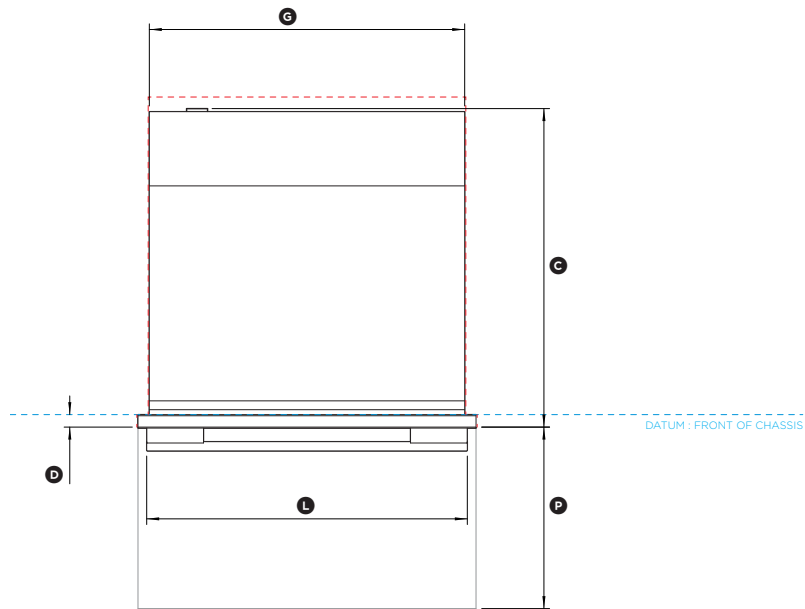
\*A rear ventilation air vent totalling 280cm<sup>2</sup> is required. The air vent must be located at the rear of cabinet, it can be positioned at the base, sides, back or top of the cavity.

IMPORTANT NOTE: For full installation and clearance details please refer to our installation manual.

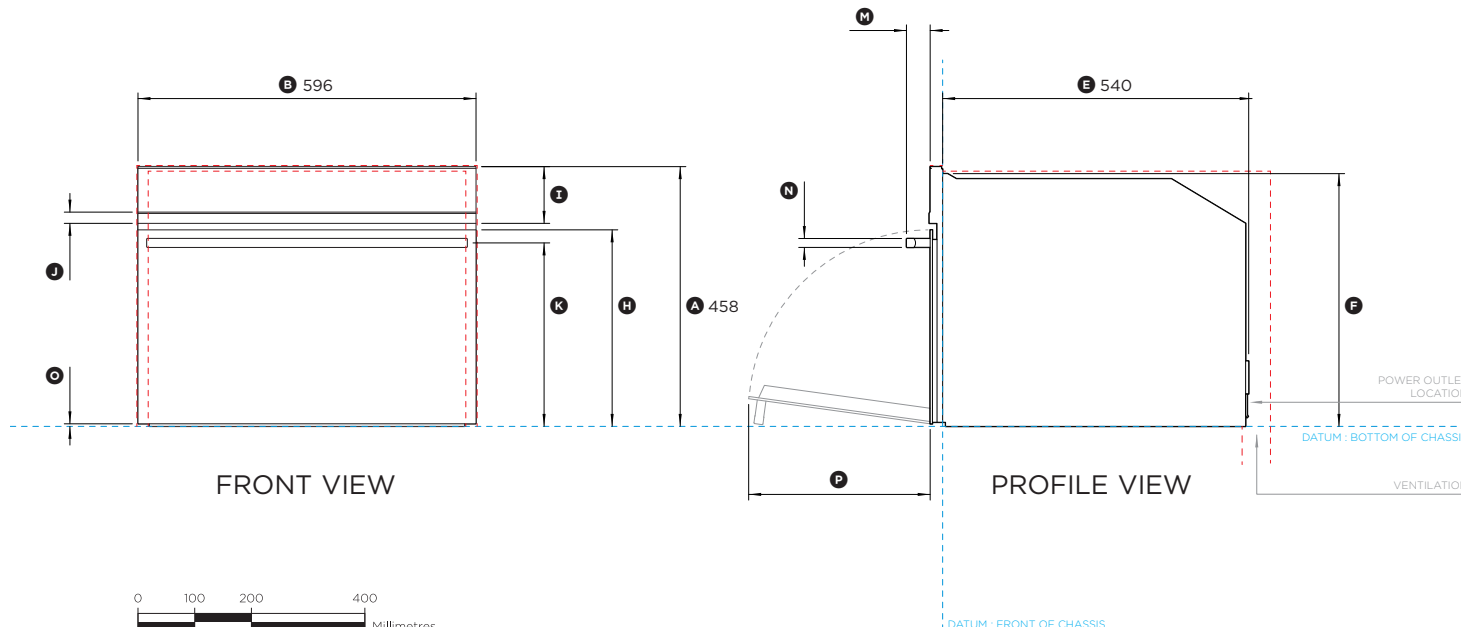
INDICATES PRODUCT DATUM -----  
INDICATES CABINERY CLEARANCES - - - - -

DATE: **04.11.2019**

IMPORTANT NOTE: Throughout this guide, dimensions may vary by ±2mm (1/16"). Please read the installation manual for detailed information on installing the product. For full installation instructions & specifications visit [fisherpaykel.com](http://fisherpaykel.com)



PLAN VIEW



FRONT VIEW

PROFILE VIEW



DATUM : FRONT OF CHASSIS