

Oven, 76cm, 17 Function, Self-cleaning

Series 9 | Contemporary

Black

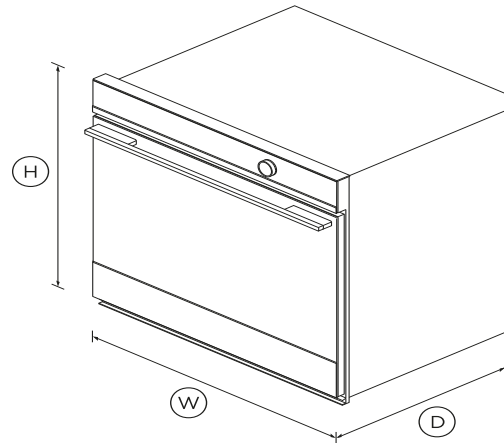


With a large capacity and beautiful contemporary styling, this built-in oven will complement your kitchen design perfectly.

- Touchscreen guided cooking capability offers helpful tips for different food types as well as full recipes
- 115L total capacity with 17 oven functions including Roast, Pastry Bake, Slow Cook and Rapid Proof
- Pyrolytic self-cleaning function breaks down food residue for an easy clean
- Non-tip, full-extension shelves for safe removal of hot dishes

DIMENSIONS

Height	690mm
Width	760mm
Depth	610mm



FEATURES & BENEFITS

Cook with confidence

Our touchscreen interface provides an intuitive guided cooking experience that helps deliver perfect results, whether you've been cooking all your life or just starting out. Cook with a favourite method, a hero ingredient, or a go-to cooking function or recipe.

Generous capacity

With an incredible 115L total capacity in each oven, you can create many perfectly cooked dishes at once using multiple

shelves.

MULTI-FUNCTION FLEXIBILITY

The cooking functions have each been tailored, tested, tweaked and perfected to ensure that no matter what you're cooking, you've got the right heat to match. Purchase our Wireless Temperature Sensor accessory and precisely monitor cooking in real time (accessory sold separately).

Exceptional performance

AeroTech circulates heat evenly for a consistent temperature throughout the cavity, helping you ensure perfect results even when cooking on multiple shelves.

Self-cleaning

Our pyrolytic self-cleaning technology breaks down food residue at a very high temperature, leaving light ash easily removed with a damp cloth. The enamel-coated side racks don't need to be removed when using this function.

Design freedom

Available in an elegant black or a stylish black with stainless steel, this oven is designed to fit seamlessly into your kitchen. Premium materials and detailing support a cohesive, considered kitchen design.

SPECIFICATIONS

Accessories

Full extension sliding shelves	3 sets
Grill rack	1 set
Roasting dish	1
Smokeless grill tray	1
Wired temperature sensor	1

Capacity

Shelf positions	8
-----------------	----------

Total capacity	115L
Usable capacity	102L

Cleaning

Acid resistant graphite enamel	•
Pyrolytic self-clean	•
Removable oven door	•
Removable shelf runners	•

Controls

Adjustable audio and display	•
Automatic cooking/minute	•
Automatic pre-set	•
Celsius/Fahrenheit	•
Dial with illuminated halo	•
Electronic clock	•
Electronic oven control	•
Food probe	•
Guided cooking by food type	•
Intuitive touchscreen display	•
Multi-language display	UK English, US English,
Sabbath mode with Mehadrin	•
Wi-Fi connectivity	•

Functions

Air fry	•
Bake	•
Classic bake	•
Dehydrate	•
Fan bake	•

Fan forced	•
Fan grill	•
Grill	•
Maxi Grill	•
Number of functions	17
Pastry Bake	•
Pizza bake	•
Pyrolytic self-clean	•
Rapid proof	•
Roast	•
Slow cook	•
Vent bake	•
Warm	•

Performance

AeroTech™ technology	•
Automatic rapid pre-heat	•
Grill power	4400W

Power requirements

Supply frequency	50Hz
------------------	-------------

Product dimensions

Depth	610mm
Height	690mm
Width	760mm

Safety

Balanced oven door	•
Catalytic venting system	•

Control panel key lock	•
CoolTouch door	•
Non-tip shelves	•

Warranty

Parts and labour	2 years
------------------	----------------

SKU	81866
-----	-------

The product dimensions and specifications in this page apply to the specific product and model. Under our policy of continuous improvement, these dimensions and specifications may change at any time. You should therefore check with Fisher & Paykel's Customer Care Centre to ensure this page correctly describes the model currently available. ? Fisher & Paykel Appliances Ltd 2020

Other product downloads available at fisherpaykel.com



Service & Warranty



User Guide Wall Oven



Installation Guide



Data Sheet Oven



Planning Guide - 76cm Built-in Ovens and Companions -
Contemporary Black



A PEACE OF MIND SALE

24 Hours 7 Days a Week Customer Support

T 1300 650 590 **W** www.fisherpaykel.com