

FISHER & PAYKEL

PRELIMINARY SPECIFICATION GUIDE

STEAM OVEN, 60CM



OVERVIEW

Experience the precise control, repeatability and certainty of steam with our flagship Combination Steam Oven. Harnessing all the advantages of AeroTech™ technology, the oven features 23 functions, including steam-only, convection-only, or a combination of both. A Wireless Temperature Sensor* precisely monitors food in real time, while the intuitive interface and dial offer simple guided cooking, helping to ensure perfect results.

*Selected markets and models

MODELS

Combination Steam Oven, 60cm, 23 Function

85L, Stainless steel, Touchscreen, Dial
OS60SDTDX2

SERIES & STYLE

Series 11
Contemporary

ACCESSORIES

- 1 Roasting dish
- 2 Grill rack
- 3 Step down wire shelf
- 4 Full extension sliding shelves
- 5 Large perforated pan

FEATURES

- 1 Contemporary style, designed to fit flush with cabinetry
- 2 Generous 85L total capacity with six shelf positions
- 3 Intuitive, large 5" touchscreen display with illuminated dial
- 4 23 oven functions including six steam-only functions
- 5 Moisture control and even heat distribution thanks to ActiveVent and AeroTech™ technology
- 6 Guided touchscreen cooking makes it simple to cook by food, function or recipe
- 7 Wireless Temperature Sensor precisely monitors cooking in real time*
- 8 Water tank capacity of 1.5L
- 9 Wi-Fi/Connected capability through the SmartHQ™ app*

*Selected markets and models

- 5 Small perforated dish
- 7 Large unperforated dish
- 8 Baking tray
- 9 Wireless Temperature Sensor*
- 10 Grill grid

*Selected markets and models

FISHER & PAYKEL

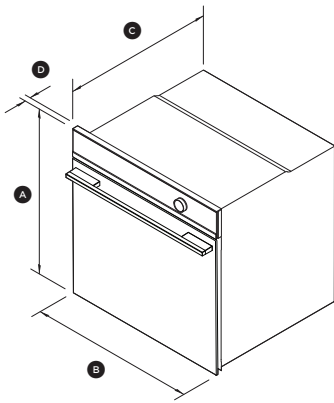
PRELIMINARY SPECIFICATION GUIDE

STEAM OVEN, 60CM

SPECIFICATIONS

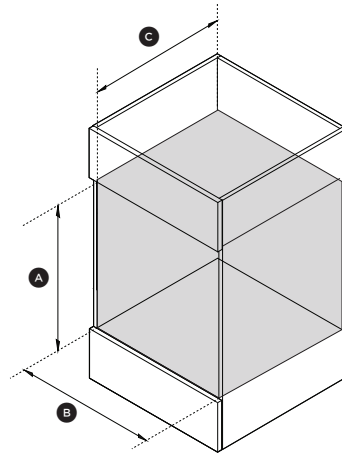
Model No.	OS60SDTDX2
Dimensions	H 598mm W 596mm D 565mm
Total capacity	85L
Weight	50kg (unpackaged) 65kg (packaged)
Electrical	
Supply	220-240VAC, 50Hz
Service	15A circuit

PRODUCT DIMENSIONS



ISO VIEW

CAVITY DIMENSIONS



ISO VIEW

	mm
Ⓐ Overall height	598
Ⓑ Overall width	596
Ⓒ Depth of chassis	545
Ⓓ Depth from front frame (excludes dial and handle)	20
Depth of oven door when fully open (measured from front of control panel)	460

	mm
Ⓐ Minimum inside height	580
Ⓑ Minimum inside width	560
Ⓒ Minimum inside depth	550