

# FISHER & PAYKEL

## SPECIFICATION GUIDE

## FREESTANDING QUAD DOOR REFRIGERATOR FREEZER, 90.5CM



### OVERVIEW

This Quad Door Refrigerator Freezer has recessed handles and flat doors for a streamlined look to fit any kitchen aesthetic. With a generous 690L capacity it features a large humidity bin and adjustable shelving in the fridge, plus full extension bins in the freezer for ample storage space. Variable Temperature Zone has four food modes for optimal storage, while ActiveSmart™ technology helps keep food fresher for longer.

### MODEL

Freestanding Quad Door Refrigerator Freezer, 90.5cm,  
690L, Ice & Water, Black Glass, Contemporary Style  
RF730QZUVB1

### SERIES & STYLE

Series 7  
Contemporary Style

### FEATURES

- ① Recessed handle doors for a streamlined look
- ② Generous 690L capacity
- ③ Internal water filter with slimline dispenser and automatic ice maker
- ④ Choice of four food modes with Variable Temperature Zone technology: Freezer, Soft Freeze, Chill or Fridge mode
- ⑤ ActiveSmart™ technology helps keep food fresher for longer
- ⑥ Large humidity bin in the fridge for ample storage
- ⑦ Spacious, full-extension bins in the freezer
- ⑧ Solid glass for interior shelving
- ⑨ Available in sleek black glass

### ACCESSORIES

- ① Replacement Water Filter 847200

# FISHER & PAYKEL

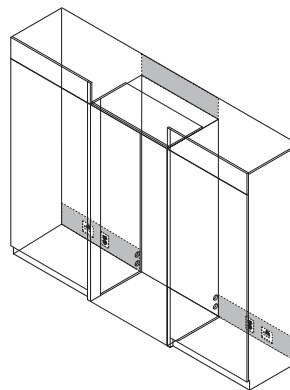
## SPECIFICATION GUIDE

## FREESTANDING QUAD DOOR REFRIGERATOR FREEZER, 90.5CM

### PRODUCT SPECIFICATIONS

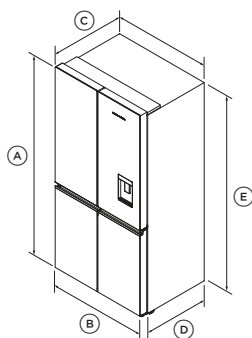
<b>Model No.</b>	RF730QZUVB1
<b>Dimensions</b>	H 1900mm W 905mm D 748mm
<b>Weight</b>	145kg
<b>Electrical</b>	
<b>Supply</b>	220-240VAC, 50Hz
<b>Service</b>	1.8A
<b>Receptacle</b>	3-prong grounding-type
<b>Plumbing</b>	
<b>Supply</b>	Water Connection Kit: 3.5m tubing with tap adaptor
<b>Pressure</b>	Min 150kPa (22psi), max 827kPa (120psi) @ 20°C

### ELECTRICAL



Note: Electrical connection should be located in an adjacent cabinet to either side of the fridge or above the fridge cavity. We recommend to use an isolating switch that is easily accessible to the user after the refrigerator is installed.

### PRODUCT DIMENSIONS

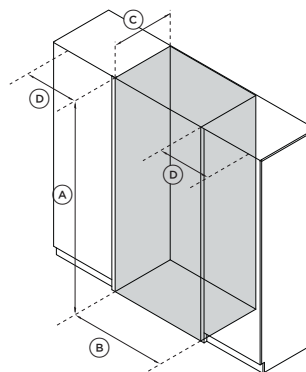


ISO VIEW

	mm
(A) Overall height	1900
(B) Overall width	905
(C) Overall depth*	748
(D) Depth of chassis**	660
(E) Height to top of chassis	1867
Depth of door opening***	1142

\*Includes doors  
\*\*Excludes doors  
\*\*\*Not illustrated

### CAVITY DIMENSIONS: STANDARD INSTALLATION



ISO VIEW

	mm
(A) Overall internal height	
• proud	1920
• flush	1945
(B) Overall width	
• proud	945
• flush	1125
(C) Overall depth	
• proud	690
• flush	778
(D) Door clearance to side wall	
• proud*	350
• flush*	260

\*Full rotation  
Includes minimum air clearance requirements