

FISHER & PAYKEL

PRELIMINARY SPECIFICATION GUIDE

OVEN, 60CM



OVERVIEW

Designed to fit seamlessly into any kitchen with Minimal styling, this 60cm oven features a generous 85L total capacity. Achieve perfect results with 16 oven functions, plus a Wireless Temperature Sensor* for monitoring cooking in real time. Beautiful to use, the large 5" touchscreen interface features simple and intuitive guided cooking, while Pyrolytic self-cleaning breaks down grime and grease, to keep the oven pristine for the next use.

*Selected markets and models

MODELS

Oven, 60cm, 16 Function

85L, Self-cleaning, Touchscreen, Dial
OB60SMPTDG1 (Grey), OB60SMPTDB1 (Black)

SERIES & STYLE

Series 9
Minimal

ACCESSORIES

- 1 Baking tray
- 2 Roasting dish
- 3 Grill grid
- 4 Grill rack

FEATURES

- 1 Minimal style, designed to fit flush with cabinetry
- 2 Generous 85L total capacity with six shelf positions
- 3 Intuitive, large 5" touchscreen display with illuminated dial
- 4 16 oven functions including Air fry, Fan Bake, and Roast
- 5 Pyrolytic self-cleaning function breaks down food residue for an easy clean
- 6 Wireless Temperature Sensor precisely monitors cooking in real time*
- 7 Guided touchscreen cooking makes it simple to cook by food, function or recipe
- 8 Moisture control and even heat distribution thanks to ActiveVent and AeroTech™ technology
- 9 Automatic rapid pre-heat function for added convenience
- 10 Soft open and close door
- 11 Wi-Fi/Connected capability through the SmartHQ™ app*

*Selected markets and models

- 5 Step down wire shelf
- 6 Full extension wire shelves
- 7 Wireless Temperature Sensor*

*Selected markets and models

FISHER & PAYKEL

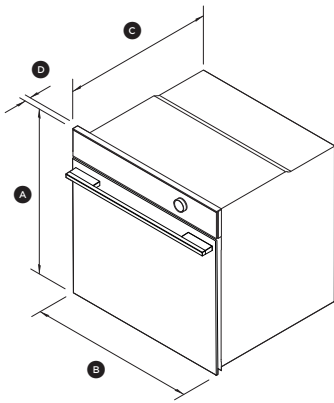
PRELIMINARY SPECIFICATION GUIDE

OVEN, 60CM

SPECIFICATIONS

Model No.	OB60SMPTDG1, OB60SMPTDB1
Dimensions	H 598mm W 596mm D 565mm
Total capacity	85L
Weight	32kg (unpackaged) 44kg (packaged)
Electrical	
Supply	220-240VAC, 50Hz
Service	15A circuit

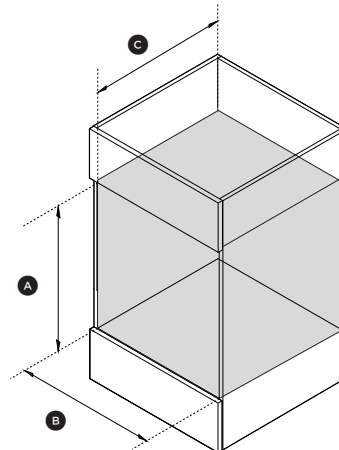
PRODUCT DIMENSIONS



ISO VIEW

	mm
Ⓐ Overall height	598
Ⓑ Overall width	596
Ⓒ Depth of chassis	545
Ⓓ Depth from front frame (excludes dial and handle)	20
Depth of oven door when fully open (measured from front of control panel)	460

CAVITY DIMENSIONS



ISO VIEW

	mm
Ⓐ Minimum inside height	580
Ⓑ Minimum inside width	560
Ⓒ Minimum inside depth	550