

Integrated Refrigerator Freezer, 90.6cm, Ice & Water

Series 7 | Integrated

Panel Ready | Right Hinge

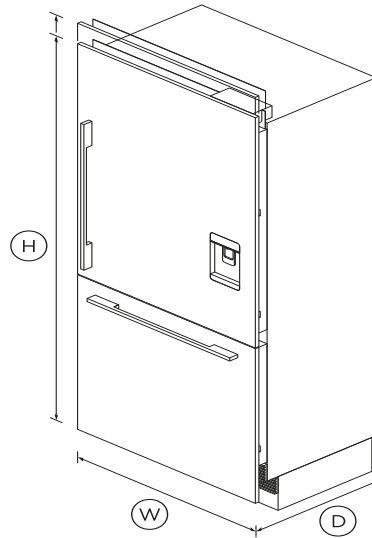


Choose a roomy refrigerator in stylish stainless steel, including slimline water dispenser. Fits flush into surrounding cabinetry.

- ActiveSmart™ technology helps keep food fresher for longer by constantly maintaining the ideal temperature.
- Stainless steel door panel purchased separately - with water dispenser option available
- Water dispenser available with stainless steel door panel accessory
- Spacious bottom freezer with full extension drawer, and internal ice maker with boost function

DIMENSIONS

Height	2028mm
Width	906mm
Depth	606mm



FEATURES & BENEFITS

ACTIVESMART™ FOODCARE

ActiveSmart™ Foodcare learns how you live. It is technology which understands how you use your refrigerator and adjusts temperature, airflow and humidity inside to help keep food fresher for longer.

ICE MAKER

Fresh ice is always available for you in a dedicated freezer bin. Simply turn it off to free up freezer space or during busy times,

you can boost ice production by up to 30%.

WATER ON TAP

The slimline dispenser makes it easy to fill almost any sized jug or vessel with cool filtered water and doesn't take up any storage space in your fridge.

SIMPLE STORAGE

This refrigerator is designed to make it simple for you to store, access and remove food. Storage bins give you full access inside when they're pulled open and can be easily removed to clean. Our flexible shelving also gives you more storage options.

EASY INSTALLATION

Our integrated products are easy to install, whether you are renovating your kitchen or designing a new one. Adjustable front and rear feet allow for uneven floors alongside adjustable door panels that can be customised to match your kitchen.

CLEVER ENERGY

Your refrigerator adapts to daily use by cooling and defrosting only when needed. This ActiveSmart™ technology means better energy efficiency without compromising on food care.

SPECIFICATIONS

Accessories

Contemporary round handle	AHS-ASBI-B
Contemporary square handle	RS91W
Joiner kit	RS91W
Matching Replacement Water	Models 24xxx, 25xxx-A, 25xxx-
Square fine aluminium handle	AHD5RD9120W
Square fine black handle kit	AHD5RD9120WB
Stainless Steel Door Panel Set	RD9121WRU

Capacity

Total net volume	477L
------------------	------

Volume freezer	145L
Volume refrigerator	332L

LED lighting	•
Slide Out Pastry Tray	•

SKU **26537**

Consumption

Energy consumption	303kWh/year
Energy rating	E

Performance

ActiveSmart™ Foodcare	•
Adaptive defrost	•
Frost free	•
Frost free freezer	•
Humidity control system	•
Inverter controlled compressor	•
Noise emissions	42dBA
Noise emissions class	D
R600a refrigerant	•
Sabbath mode	•

The product dimensions and specifications in this page apply to the specific product and model. Under our policy of continuous improvement, these dimensions and specifications may change at any time. You should therefore check with Fisher & Paykel's Customer Care Centre to ensure this page correctly describes the model currently available. ? Fisher & Paykel Appliances Ltd 2020

Features

Adjustable door shelves	6
Adjustable glass shelves	3
Covered door shelves	2
Deli storage bins	1
Door alarm	•
Fruit and vegetable bins	2
Full extension runners	•
LED lighting	•
SmartTouch control panel	•
Soft close doors	•
Spill proof removable bins	•
Stackable bottle holders	4
Ultra slim water dispenser	•
Water Filter	part no. 842802

Power requirements

Supply frequency	50Hz
Supply voltage	220V

Product dimensions

Depth	606mm
Depth (less door)	606mm
Height	2028mm
Width	906mm

Freezer Features

Automatic ice maker	•
Bottle chill	•
Door alarm	•
Fast freeze	•
Ice Boost	•
Ice bin and scoop	•

Warranty

Parts and labour	5 years
Sealed system parts only	5 years

Other product downloads available at fisherpaykel.com



User Guide



Service & Warranty



User Guide Integrated Refrigerator Freezer



Installation Guide



Install Guide - Water Filter Replacement



Dual Installation Guide



Data Sheet Integrated Refrigerator Freezer



Planning Guide Integrated Refrigerator Freezer



A PEACE OF MIND SALE

24 Hours 7 Days a Week Customer Support

T 08000 886 605 W www.fisherpaykel.com