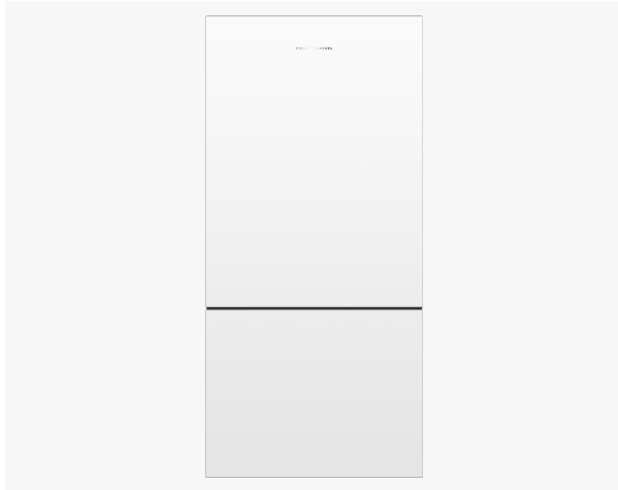


# Freestanding Refrigerator Freezer, 32", 17.5 cu ft

Series 5 | Contemporary

White | Right Hinge

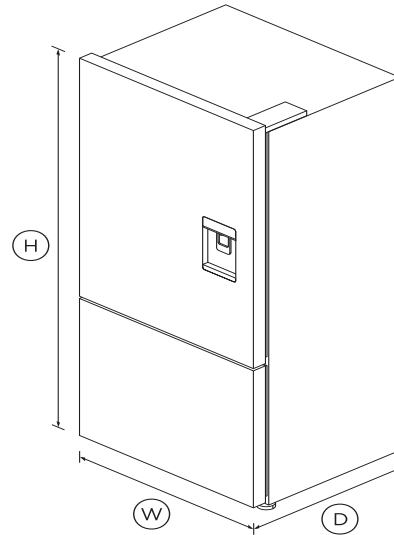


With a classic white finish and ultra flat handles for a more streamlined look, this right hinge refrigerator has plenty of space.

- Bottom freezer
- Ultra flat door conceals handles for streamlined look
- ActiveSmart™ helps keep food fresher for longer

## DIMENSIONS

Height	67 3/4"
Width	31 1/8"
Depth	27 3/8"



## FEATURES & BENEFITS

### ActiveSmart™ Foodcare

Every time you open your refrigerator, the temperature around your food changes. ActiveSmart™ foodcare adjusts airflow to create a stable temperature, helping your food stay fresher for longer.

### Clever energy

Your refrigerator adapts to daily use by cooling and defrosting only when needed. This means your refrigerator uses the energy it needs without compromising on food care.

## DESIGN QUALITY

Our refrigerators are designed and built using quality materials. We use pre-painted steel on our refrigerators and solid glass for shelving.

### Easy cleaning

Spill-safe secure glass shelves easily capture any drips or leaks and prevent them from falling on items below.

### SIMPLE STORAGE

This refrigerator is designed to make it simple for you to store, access and remove food. Storage bins give you full access inside when they're pulled open and can be easily removed to clean. Our flexible shelving also gives you more storage options.

## SPECIFICATIONS

### Capacity

Total gross capacity	17.5cu ft
Volume freezer	5.2cu ft
Volume refrigerator	12.3cu ft

### Consumption

Energy usage	454kWh/year
In-use energy carbon	56.0kgCO2e/year

### Features

Adjustable door shelves	8
Adjustable glass shelves	4
Covered door shelves	2
Door alarm	•
Front levelling feet	•
Fruit and vegetable bins	2
Full extension runners	•

Full width door shelves	2
LED lighting	•
Rear rollers	•
SmartTouch control panel	•
Spill proof removable bins	•
Stackable bottle holders	2
Wi-Fi connectivity	•

### Warranty

Parts and labour	2 years
Sealed system parts and labor	additional 3 years

SKU	26290
-----	-------

The product dimensions and specifications in this page apply to the specific product and model. Under our policy of continuous improvement, these dimensions and specifications may change at any time. You should therefore check with Fisher & Paykel's Customer Care Centre to ensure this page correctly describes the model currently available. © Fisher & Paykel Appliances Ltd 2020

### Freezer Features

Bottle chill	•
Door alarm	•
Fast freeze	•
Freezer bins	2
Large plastic bins	•
Slide Out Pastry Tray	•

### Performance

ActiveSmart™ Foodcare	•
Adaptive defrost	•
Frost free	•
Inverter controlled compressor	•
Sabbath mode	•

### Product dimensions

Depth	27 3/8"
Height	67 3/4"
Minimum air clearance - at rear	1 3/16"
Minimum air clearance - each	1 3/16"
Minimum air clearance - on top	2"
Width	31 1/8"

### Other product downloads available at fisherpaykel.com

- [↓](#) User Guide
- [↓](#) Guide d'utilisation FR
- [↓](#) Service & Warranty
- [↓](#) Energy Label
- [↓](#) Installation Guide
- [↓](#) Guide d'installation FR
- [↓](#) Guide d'installation - Instructions de Remplacement du Filtre à Eau FR
- [↓](#) Installation Guide - Joiner Kit EN
- [↓](#) Guide d'installation - kit de menuisier FR
- [↓](#) Installation Guide - Quick Reference EN
- [↓](#) Data Sheet Freestanding Refrigerator Freezer



### A PEACE OF MIND SALE

24 Hours 7 Days a Week Customer Support

T 1.888.936.7872 [Wwww.fisherpaykel.com](http://www.fisherpaykel.com)