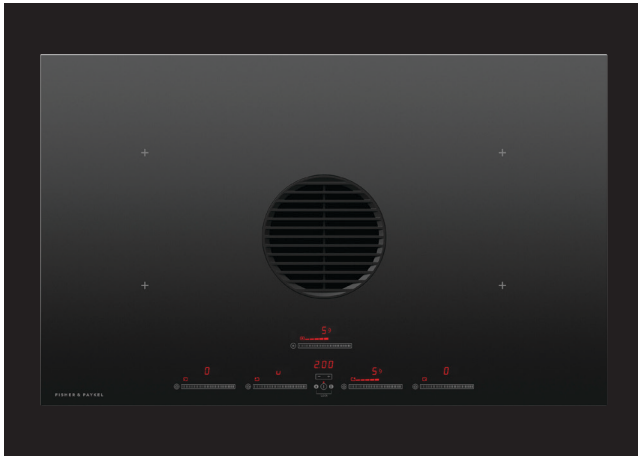


FISHER & PAYKEL

SPECIFICATION GUIDE

INDUCTION COOKTOP, 83CM WITH INTEGRATED VENTILATION



OVERVIEW

Our new 83cm induction cooktop offers an intelligent solution to cooking and kitchen ventilation in one singular appliance. With a sleek black glass finish, it can be installed in a variety of kitchen layouts – perfect for island benches or homes with high or slanted ceilings. With nine fan speeds plus boost, it offers powerful extraction and four induction cooking zones, including SmartZone.

MODELS

Induction Cooktop, 83cm, 4 Zones with Integrated Ventilation
CID834DTB4

SERIES & STYLE

Series 9
Minimal

SUPPLIED DUCTING

CID834DTB4 models
2x 90° vertical elbows, 4x 15° bends, 1x 500mm straight ducting (222 x 89)

FEATURES

- ① Seamlessly integrated cooktop extraction, perfect for islands or homes with high or slanted ceilings
- ② Designed to fit raised or flush with the countertop with a sleek black glass finish
- ③ Nine fan speeds plus boost, for effective extraction of cooking vapours
- ④ Four cooking zones, including simple bridging of two zones to create a SmartZone
- ⑤ Immediate heat response and precision temperature control with induction technology
- ⑥ Easy-to-clean single glass surface, with grease filter tray for capturing spills
- ⑦ A flush ventilation grille allows pots to slide across an area of the cooktop surface
- ⑧ Simple-to-install ducted system
- ⑨ Cooktop remains cool to touch until a pot or pan is placed on the surface
- ⑩ Intuitive Touch&Slide controls react immediately when temperature is adjusted

ACCESSORIES

- ① Optional Recirculation kit
- ② Replacement recirculation filter
- ③ Optional Square grille and butterfly valve for wall exhaust
- ④ Included Ducting adaptor
- ⑤ Optional Ducting accessories

FISHER & PAYKEL

SPECIFICATION GUIDE

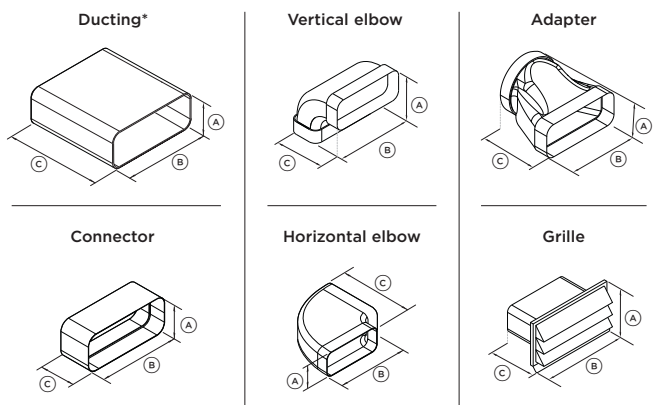
INDUCTION COOKTOP, 83CM WITH INTEGRATED VENTILATION

PRODUCT SPECIFICATIONS

Model No.	CID834DTB4
Dimensions	H 217mm W 830mm D 515mm
Weight	38kg
Electrical	
Supply	220V - 240V 50Hz/60Hz
Maximum rated power	7.4 kW
Connection	Terminal block
Accessory kits*	
D1-C-222-89	Ducting and connector
E90-H-222-89	90° horizontal elbow
E90-V-222-89	90° vertical elbow
DA-219-98-150	Adapter
DO-G-SS	Stainless steel grille

*Product can be vented to an external wall at the rear using supplied components. Accessory kits can be purchased separately to expand venting directions and options.

ACCESSORY DIMENSIONS

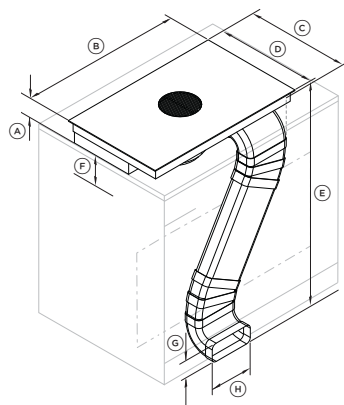


	Ducting	Connector	Vertical elbow	Horizontal elbow	Adapter	Grille
	mm	mm	mm	mm	mm	mm
Ⓐ Height	89	93	174	93	157	156
Ⓑ Width	222	226	226	287	226	280
Ⓒ Depth	1000	82	174	287	190	160

Overall part dimensions detailed

*Reduced length illustrated

PRODUCT DIMENSIONS



REAR ISO VIEW

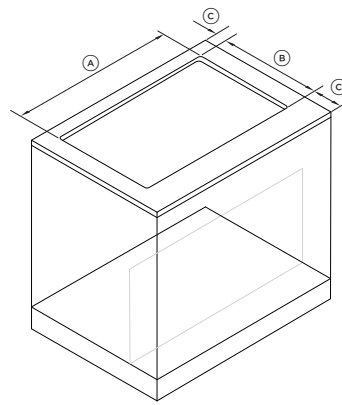
	mm
Ⓐ Overall height of cooktop	217
Ⓑ Overall width of cooktop	830
Ⓒ Overall depth of cooktop*	525
Ⓓ Depth of cooktop surface	515
Ⓔ Height of ducting**	170-1067
Ⓕ Minimum clearance from base of product***	200
Ⓖ Height of venting outlet	89
Ⓗ Width of venting outlet	222

*Including filter box at rear.

**From underside of glass to base of ducting. Using supplied ducting.

***For removal of bottom shelf for cleaning.

CUTOUT DIMENSIONS: STANDARD INSTALLATION



REAR ISO VIEW

	mm
Ⓐ Overall width of cutout	807
Ⓑ Overall depth of cutout	492
Ⓒ Minimum depth at front and rear of cutout	50
Not illustrated: Terminal block location from right edge of chassis*	180
Not illustrated: Terminal block location from rear edge of chassis*	115

*When cooktop is installed in cutout

Cutout position is centered to the cooktop