

# 18.2cu ft Series 7 Refrigerator Freezer, Ice

Contemporary

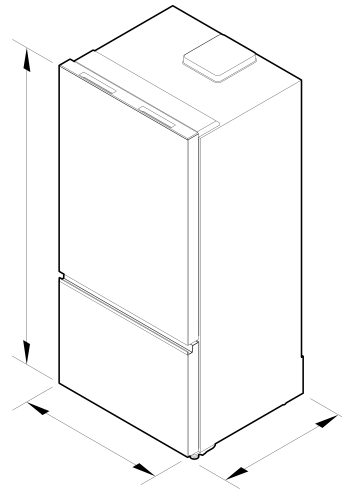


Designed for everyday living, this refrigerator freezer combines contemporary style and generous storage with the added convenience of ice on demand.

- Ultra-flat door design conceals handles, for a sleek and streamlined look
- Extra fridge space and dual humidity bins provide ample storage for fresh produce and deli items
- ActiveSmart™ technology maintains the ideal temperature to help keep food fresher for longer
- Internal ice maker delivers fresh ice on demand

## DIMENSIONS

Height	67 7/8 "
Width	31 1/8 "
Depth	27 9/16 "



## FEATURES & BENEFITS

### Complementary design

Recessed handles and flat doors create a sleek, streamlined look that blends seamlessly with any kitchen aesthetic. Finished in stainless steel to complement a wide range of kitchen styles.

### Ample fresh storage

Designed for those who prioritize fresh food, this refrigerator features a 70:30 fridge-freezer split, offering extra fridge space and an additional humidity-controlled drawer. Ideal for storing fresh produce or separating deli items and meats, it ensures everything has its place.

### Dual humidity drawers

Two full-width humidity-controlled bins create ideal microclimates to keep fruits and vegetables fresher for longer, ensuring your produce stays crisp and delicious.

### ActiveSmart™ Foodcare

ActiveSmart™ Foodcare technology responds to everyday use by adjusting airflow, temperature, and humidity to help keep food fresher for longer.

### Clever energy

Your refrigerator adapts to daily use by cooling and defrosting only when necessary. This ensures energy is used efficiently without compromising food care.

### Ice maker

Fresh ice is always on hand in a dedicated freezer bin. Turn it off to free up space when needed, or activate the boost function for extra ice during busy times.

### Easy cleaning

Spill-safe secure glass shelves easily capture any drips or leaks and prevent them from falling on items below.

## SPECIFICATIONS

### Accessories (included)

- Hinge change (from right hinge to left hinge)

### Accessories (sold separately)

Water filter replacement **847200 - FWC3**

**Capacity**

Volume **18.2 cu ft**

**Consumption**

Energy rating **Energy star Most efficient**

Energy usage **456 kWh/year**

**Controls**

Electronic interface •

**Features**

Adjustable door shelves **6**

Adjustable glass shelves **2**

Door alarm •

Front levelling feet •

Fruit and vegetable bins **2**

Keylock •

LED lighting •

Rapid cool function •

**Freezer Features**

Automatic ice maker •

Bottle chill •

Drawer alarm •

Fast freeze •  
Ice bin and scoop •  
Ice Boost •

**Performance**

ActiveSmart™ technology •  
Adaptive defrost •  
Eco friendly R600a refrigerant •  
Frost free •  
Humidity control system •  
Humidity controlled crisper bins **2**  
Internal replacable water filter •  
Sabbath mode •

**Power Requirements**

Rated current **10 A**  
Supply frequency **60 Hz**  
Supply voltage **115 V**

**Product Dimensions**

Depth **27 9/16 "**  
Height **67 7/8 "**  
Width **31 1/8 "**

SKU **27008**

The product dimensions and specifications in this page apply to the specific product and model. Under our policy of continuous improvement, these dimensions and specifications may change at any time. You should therefore check with Fisher & Paykel's Customer Care Centre to ensure this page correctly describes the model currently available. © Fisher & Paykel Appliances Ltd 2020

**Other product downloads available at fisherpaykel.com**

- [↓](#) DXF
- [↓](#) DWG
- [↓](#) Energy Label (English, Canadian French)
- [↓](#) Installation Guide (English)
- [↓](#) Installation Guide (Canadian French)
- [↓](#) Planning Guide (English)
- [↓](#) Planning Guide (Canadian French)
- [↓](#) Planning Guide (Spanish)
- [↓](#) Revit
- [↓](#) Rhino
- [↓](#) Right To Repair Declaration (English, Canadian French)
- [↓](#) SketchUp
- [↓](#) User Guide (English)
- [↓](#) User Guide (Canadian French)

**Where applicable:**

All appliances use energy, and energy usage typically generates carbon emissions. **Fisher & Paykel Appliances' In-use Energy Carbon Emissions Estimate** indicates carbon emissions from a product's in-use energy. This is calculated either annually or per cycle, using the product's market-specific energy label energy consumption data multiplied by the carbon emissions factor for energy in your country or region.

Our In-use Energy Carbon Emissions Estimate is designed to assist customers in making informed purchasing decisions when comparing different Fisher & Paykel products. For example, a heat pump dryer typically has a lower In-use Energy Carbon Emissions Estimate than a vented dryer.



**A PEACE OF MIND SALE**  
**24 Hours 7 Days a Week Customer Support**  
T 1.888.936.7872 W [www.fisherpaykel.com](http://www.fisherpaykel.com)