

Oven, 60cm, 11 Function, Self-cleaning

Series 9 | Contemporary

Stainless Steel

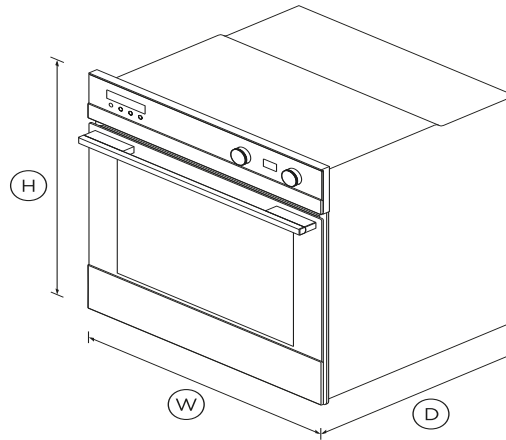


A highlight of the Fisher & Paykel collection, this Series 9 oven ensures that every dish you create is cooked to perfection.

- Generous capacity of 85L
- Pyrolytic self-cleaning breaks down food residue for an easy clean
- Moisture level control with ActiveVent™ technology
- Food probe included
- Triple glazed CoolTouch door

DIMENSIONS

Height	598mm
Width	596mm
Depth	565mm



FEATURES & BENEFITS

MULTI-FUNCTION FLEXIBILITY

11 functions including Roast, Pastry Bake and Fan Grill mean no matter what you're cooking, you've got the right heat to match.

GENEROUS CAPACITY

With a generous sized internal cavity, you can create several dishes at once using multiple shelves.

ACTIVEVENT™ TECHNOLOGY

With ActiveVent™ technology for optimised moisture levels and

AeroTech™ for even heat distribution, you'll get perfect results even when using multiple shelves.

CLEANING IS SIMPLE

Pyrolytic self-clean breaks down food residue at a very high temperature, leaving a light ash that's easily removed with a damp cloth.

SEAMLESS FIT

Designed to fit seamlessly in your kitchen, this built-in oven fits flush with cabinetry to minimise gaps and add to a cohesive aesthetic.

SAFE AND SOUND

The CoolTouch door features triple glazing and a cooling system that ensures it's safe to touch from the outside – protecting both your hands and the surrounding cabinetry.

SPECIFICATIONS

Accessories

Food probe	1
Full extension sliding shelves	2 sets
Full extension telescopic	•
Full extension telescopic	2 sets
Grill rack	1 set
Roasting dish	1
Smokeless grill tray	1
Step down wire shelf	1

Accessories (sold separately)

Handle kit Contemporary	81645 (optional)
Optional round handle	Part 81645

Capacity

Shelf positions	6
Total capacity	85L
Total gross	85L
Usable capacity	72L

Cleaning

Acid resistant graphite enamel	•
Pyrolytic self-clean	•
Removable oven door	•
Removable oven door inner	•
Removable shelf runners	•

Controls

Audio feedback	•
Automatic cooking/minute	•
Automatic pre-set	•
Celsius/Fahrenheit	•
Electronic clock	•
Electronic oven control	•
Precise electronic temperature	•
Sabbath mode	•
Soft open and close door	•
Turned stainless capacitive	•
Turned stainless dials with	•

Functions

Bake	•
Classic bake	•
Fan bake	•
Fan forced	•

Fan grill	•
Grill	•
Number of functions	11
Pastry Bake	•
Pyrolytic self-clean	•
Roast	•
Vent bake	•
Warm	•

Performance

ActiveVent™ system	•
AeroTech™ technology	•
Automatic rapid pre-heat	•
Grill power	3000W
Whisper quiet cooking	•

Power requirements

Amperage	12.8A
Supply frequency	50Hz
Supply voltage	220 - 240V

Product dimensions

Depth	565mm
Height	598mm
Width	596mm

Safety

Advanced cooling system	•
Balanced oven door	•
Catalytic venting system	•

Control panel key lock	•
CoolTouch door	•
Full extension sliding shelves	•
Non-tip shelves	•

SKU	81572
-----	--------------

The product dimensions and specifications in this page apply to the specific product and model. Under our policy of continuous improvement, these dimensions and specifications may change at any time. You should therefore check with Fisher & Paykel's Customer Care Centre to ensure this page correctly describes the model currently available. ? Fisher & Paykel Appliances Ltd 2020

Other product downloads available at fisherpaykel.com



Service & Warranty



Installation Guide Built-In Oven



Data Sheet Oven



A PEACE OF MIND SALE

24 Hours 7 Days a Week Customer Support

T +65 6741 0777 W www.fisherpaykel.com