

FISHER & PAYKEL

COMPANION PRODUCTS

Warming Drawer WB24

Coffee Maker EB24

Steam Oven OS24N

models

INSTALLATION GUIDE

US CA

591496E 02.20

CONTENTS

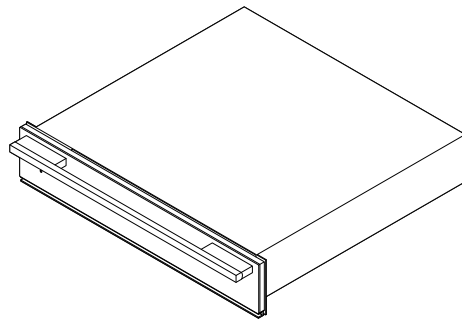
Warming drawer	1	Coffee maker	13	Steam oven	21
1 Safety and warnings	2	1 Safety and warnings	14	1 Safety and warnings	22
2 Parts supplied	3	2 Parts supplied	15	2 Prior to installation	23
3 Prior to installation	3	3 Prior to installation	15	3 After installation	23
4 Product dimensions	4	4 After installation	15	4 Product dimensions	24
5A Cabinetry dimensions – underbench (ie installed with F&P single oven)	5	5 Product dimensions	16	5A Cabinetry dimensions (18 1/8” (460mm) high cavity)	25
5B Cabinetry dimensions – wall mounted (ie installed with a F&P compact oven)	6	6A Cabinetry dimensions (18 1/8” (460mm) high cavity)	17	5B Cabinetry dimensions (18 7/8” (480mm) cavity trim kit)	26
5C Cabinetry dimensions – wall mounted (ie installed with a F&P coffee maker)	7	6B Cabinetry dimensions (18 7/8” (480mm) cavity trim kit)	18	6 Electrical hook-up	27
5 Cabinetry dimensions – wall mounted (standalone)	8	7 Installation instructions	19	7 Secure the oven to the cabinetry	27
6 Discard packaging responsibly	9	8 Final checklist	20	8 Final checklist	28
7 Mark and pre-drill the holes for securing the warming drawer	9				
8 Connect the warming drawer to the mains supply	9				
9 Secure the warming drawer to the cabinetry	10				
10 Secure the anti-tip bracket (optional depending on cabinetry configuration)	10				
11 Final checklist	11				

IMPORTANT! **SAVE THESE INSTRUCTIONS**

The models shown in this user guide may not be available in all markets and are subject to change at any time. For current details about model and specification availability in your country, please go to our website fisherpaykel.com or contact your local Fisher & Paykel dealer.

WARMING DRAWER

WB24 models



① SAFETY AND WARNINGS

⚠ WARNING!



Electrical Shock Hazard

Before carrying out any work on the electrical section of the appliance, it must be disconnected from the mains electricity supply.

Connection to a good earth wiring system is absolutely essential and mandatory.

Alterations to the domestic wiring system must only be made by a qualified electrician.

Failure to follow this advice may result in electrical shock or death.

⚠ WARNING!



Fire Hazard

Do not use adapters, reducers, or branching devices to connect this appliance to the mains power supply.

Failure to follow this advice may result in overheating, burning, or fire.

⚠ WARNING!



Cut Hazard

Take care – some edges are sharp.

Failure to use caution could result in injury or cuts.

IMPORTANT SAFETY INSTRUCTIONS!

To reduce the risk of fire, electrical shock, injury to person, or damage when using the warming drawer, please read these instructions carefully before installing this product.

- Please make this information available to the person installing the product – doing so may reduce your installation costs.
- Installation work, maintenance and repairs may only be carried out by suitably qualified and competent persons in accordance with national and local safety regulations.
- Always disconnect the power supply prior to carrying out any installation, maintenance or repair work.
- Before installation make sure that the voltage and frequency listed on the data plate corresponds with the household electrical supply.

- The electrical outlet should be easily accessible after installation.
- When a companion product is installed in combination with the warming drawer to the same circuit, operating both products may cause an overload. If in doubt consult a qualified electrician.
- When installed in combination with a companion product the companion product may be placed directly onto the warming drawer. It is not necessary to place a shelf between the products. A built-in shelf at the base of the cabinetry able to support the weight of both products is required.
- If installing the warming drawer directly underneath an oven, ensure you do not damage the oven's lower trim. The lower trim ensures correct air circulation to the oven and allows the door to open and close without obstruction. Fisher & Paykel does not accept any responsibility for any damage resulting from incorrect installation.
- The maximum weight the warming drawer is able to support is 132lb (60kg).
- The warming drawer is not designed for use in mobile installations such as recreational vehicles, boats or aircraft.
- When installing companion products the weight of the companion product should be distributed across the edges of the warming drawer. Products above which rest on 'feet' may only be installed if the feet of the product lie within 2 3/4" (70mm) of the sides of the warming drawer, as this area is reinforced. Failure to do this may result in damage to the warming drawer and companion product.
- Before installing the warming drawer you must inspect it for any signs of damage. Under no circumstances should you install or use the warming drawer if it has been damaged.
- If the power supply cord is damaged, it must be replaced by the manufacturer, its service agent or a similarly qualified tradesperson in order to avoid a hazard.
- Connect the warming drawer to a properly rated, protected and sized power supply circuit to avoid electrical overload.
- Do not use an extension cord or a portable electrical outlet device (eg multi-socket outlet box) to connect the Warming Drawer to the power supply. Make sure the power supply cord is located so that it will not be stepped on, tripped over or otherwise subject to damage or stress.
- Ensure the connection to power supply is accessible after installation.
- Do not allow children and animals to stop or linger near the appliance when it is pulled out of the cabinet.
- Do not leave the machine pulled out of the cabinet when it is being used.
- Do not leave the machine pulled out of the cabinet when it is not needed.
- Install the machine according to the instructions in the handbook to guarantee there are no spills when it is pulled out from the cabinet.

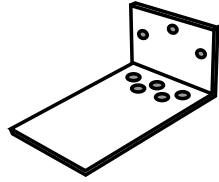
IMPORTANT! SAVE THESE INSTRUCTIONS

The models shown in this installation guide may not be available in all markets and are subject to change at any time. For current details about model and specification availability in your country, please go to our website fisherpaykel.com or contact your local Fisher & Paykel dealer.

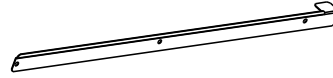
② PARTS SUPPLIED



Screws (4)



Anti-tip bracket (1)



Oven support brackets (2)

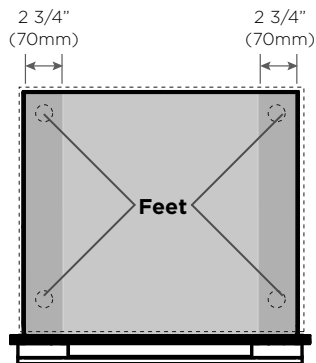
③ PRIOR TO INSTALLATION

- The cavity is square and level, and of the required dimensions.
- The installation will comply with all clearance requirements and applicable standards and regulations.
- The power switch will be easily accessible to the customer when the warming drawer is installed.
- The warming drawer (and any product on top of it) will rest on a surface that can support its weight.
- The height from the floor suits the customer.
- You consult local building authorities and by-laws if in doubt regarding installation.

If installing with a companion product

IMPORTANT!

- If installing with a companion product please refer to the installation instructions of that product to ensure the installation requirements of BOTH products are met.
- When installing products on top of the warming drawer, the weight of the product should be distributed across the edges of the warming drawer.
- Products above which rest on 'feet' may only be installed if the feet of the product lie within 2 3/4" (70mm) of the sides of the warming drawer, as this area is reinforced. Failure to do this may result in damage to the warming drawer and companion product.

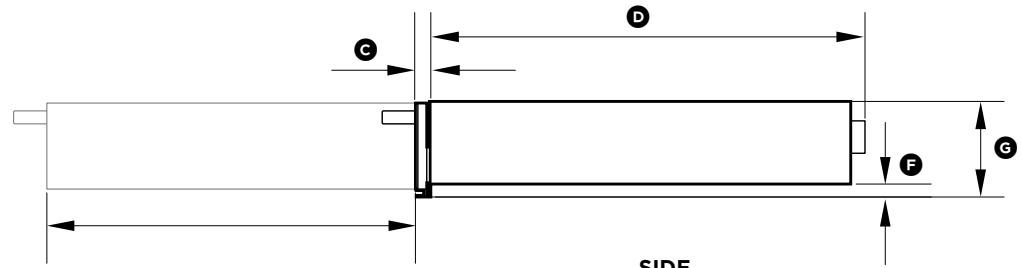


**Warming Drawer can withstand
a maximum weight of 132lb (60kg)**

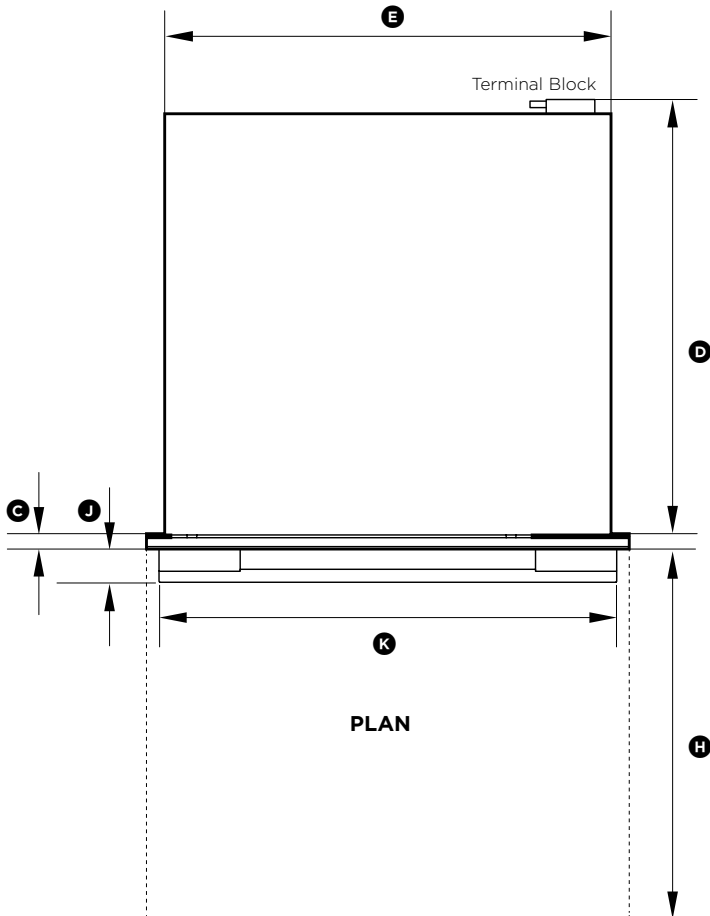
④ PRODUCT DIMENSIONS



FRONT



SIDE

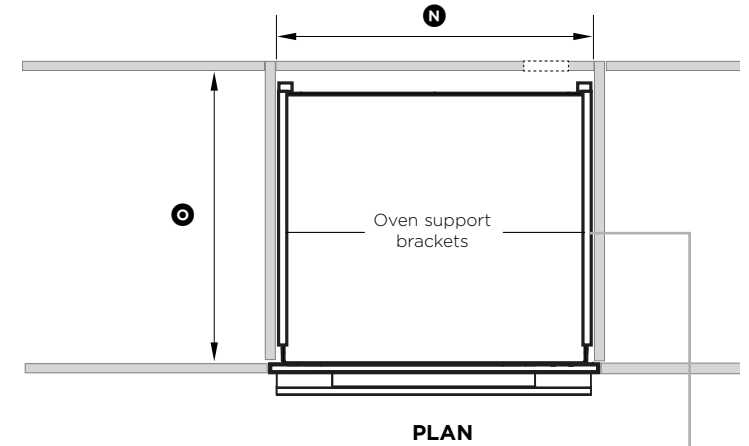
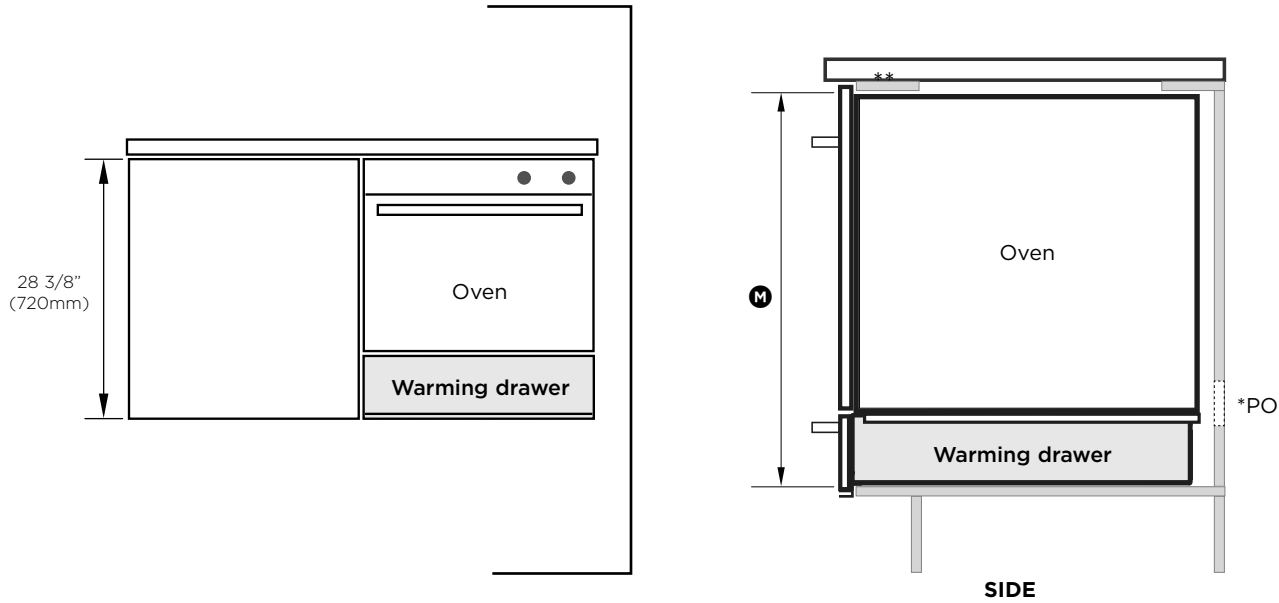


PLAN

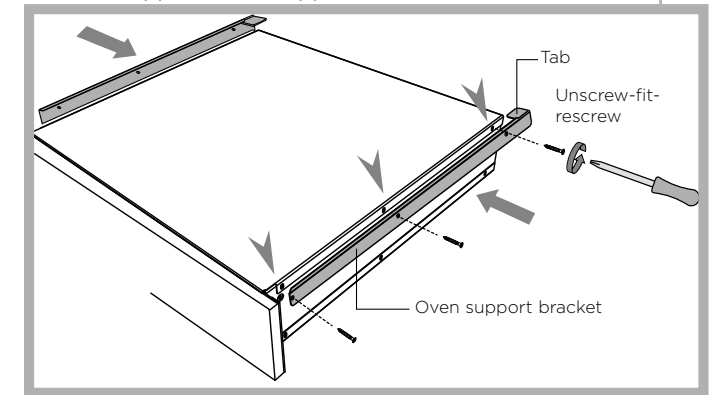
PRODUCT DIMENSIONS	WB24SDEB	WB24SDEX
	inches (mm)	inches (mm)
Ⓐ Overall height of product	4 5/8" (118)	4 5/8" (118)
Ⓑ Overall width of product	23 1/2" (596)	23 1/2" (596)
Ⓒ Depth of drawer front panel (excluding handle)*	13/16" (20)	7/8" (22)
Ⓓ Depth of chassis (including terminal block)	21 1/8" (536)	21 1/8" (536)
Ⓔ Width of chassis at rear	21 3/4" (551)	21 3/4" (551)
Ⓕ Height from bottom drawer panel to bottom of chassis at rear	5/8" (16)	5/8" (16)
Ⓖ Height from bottom of drawer panel to top of chassis	4 5/8" (118)	4 5/8" (118)
Ⓗ Depth of drawer (open) (measured from front of drawer)	17 7/8" (455)	17 7/8" (455)
Ⓘ Height of drawer front panel	4 5/8" (116)	4 5/8" (116)
Ⓙ Depth of handle measured from front of drawer	1 5/8" (41)	1 5/8" (41)
Ⓚ Width of handle	22 1/4" (565)	22 1/4" (565)

THE FOLLOWING PAGES DETAIL COMMON CABINETY SCENARIOS

5 A CABINETY DIMENSIONS - UNDERBENCH (ie INSTALLED WITH F&P SINGLE OVEN)



Fit the supplied oven support brackets



IMPORTANT!

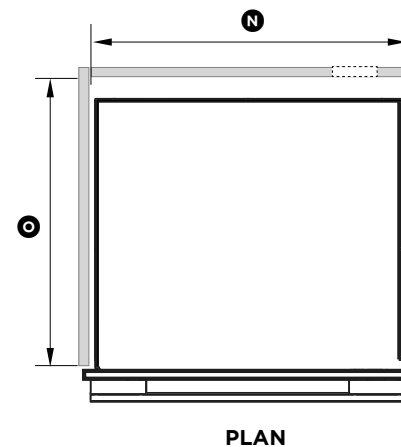
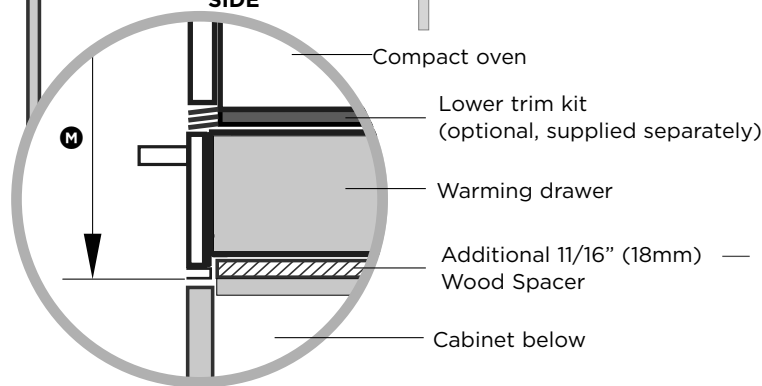
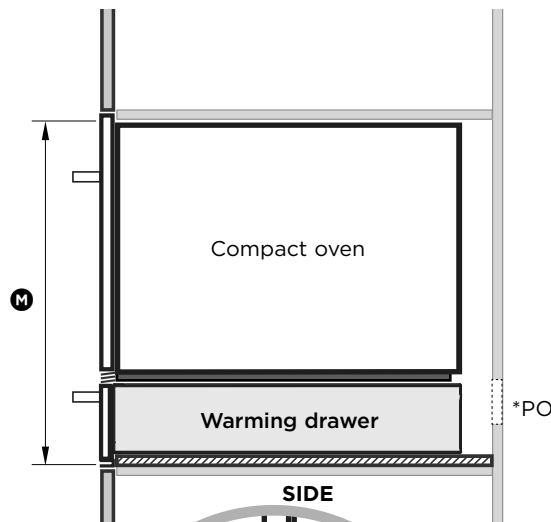
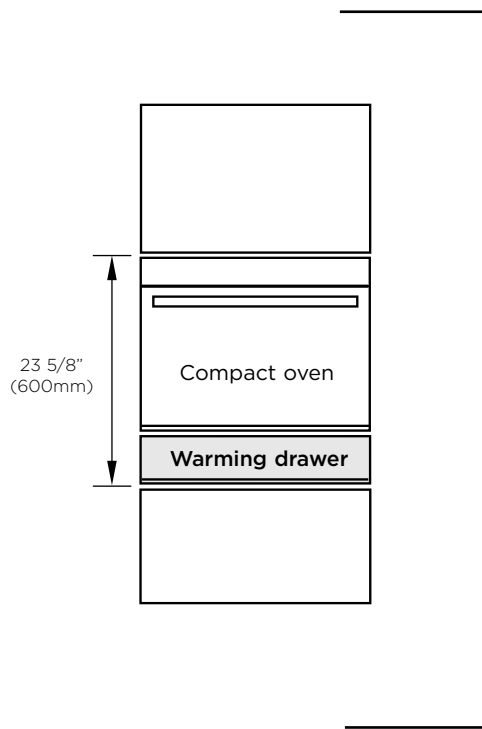
If installing under an oven, you must first fit the two supplied Oven support brackets to the sides of the Warming Drawer. The brackets help support the rear of the oven. Unscrew the 3 top screws on each side, fit the brackets with the tabs facing inwards as shown and screw back in.

Note: The screws may not be identical. Replace each screw into its original hole position.

CABINETY DIMENSIONS		inches (mm)
M	Minimum inside height of cavity	27" (687)
N	Inside width of cavity	22" (560)
O	Minimum inside depth of cavity	22 1/4" (565)

Note: When installed in combination with a companion product the companion product may be placed directly onto the warming drawer. It is not necessary to place a shelf between the products. A built-in shelf at the base of the cabinetry able to support the weight of both products is required.

* PO - POWER OUTLET. Ensure there is an accessible earthed power outlet within 35 7/16" (900mm) of the centre rear of the product.



IMPORTANT!
In a wall mounted installation, there needs to be an 11/16" (18mm) Spacer fixed underneath the warming drawer first to raise it to the required height.

CABINERY DIMENSIONS	inches (mm)
Ⓜ Minimum inside height of cavity with optional Lower trim kit fitted without optional Lower trim kit fitted	23 1/4" (590) 22 1/2" (570)
Ⓝ Inside width of cavity	22" (560)
Ⓞ Minimum inside depth of cavity	22 1/4" (565)

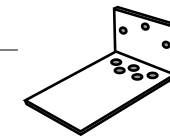
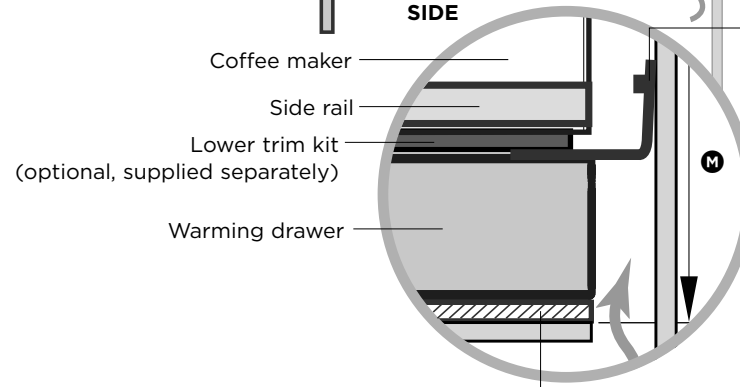
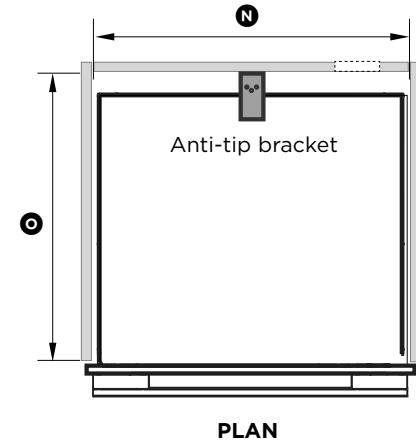
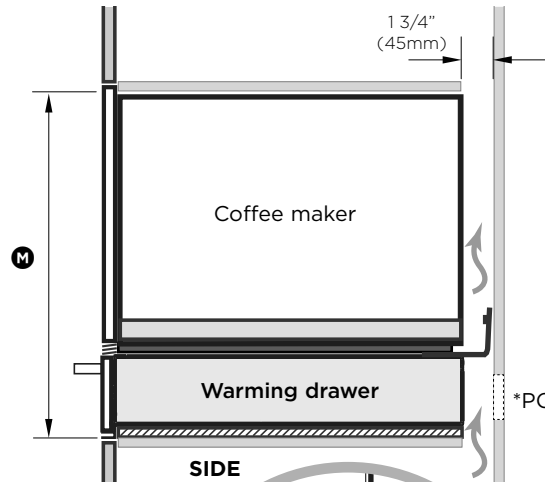
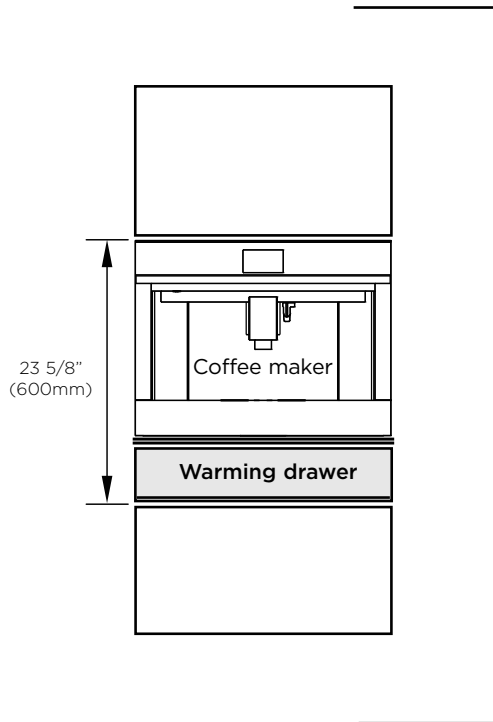
Note: When installed in combination with a companion product the companion product may be placed directly onto the warming drawer. It is not necessary to place a shelf between the products. A built-in shelf at the base of the cabinetry able to support the weight of both products is required.

* PO - POWER OUTLET. Ensure there is an accessible earthed power outlet within 35 7/16" (900mm) of the centre rear of the product.

5 C CABINERY DIMENSIONS - WALL MOUNTED (ie INSTALLED WITH A F&P COFFEE MAKER)

IMPORTANT!

If installing under the F&P Coffee Maker, ensure there is the 2" (50mm) gap at the back of the cabinet and the 7 7/8" (200mm) toekick cutout required for airflow. Refer to the Coffee Maker Install instructions.



Supplied anti-tip bracket (screwed to the back wall)

IMPORTANT!

When installing under an F&P Coffee maker you must ensure the supplied anti-tip bracket is installed, unless there is a fixed shelf above the drawer acting as an anti-tip obstacle.

Additional 11/16" (18mm) Wood spacer

IMPORTANT!

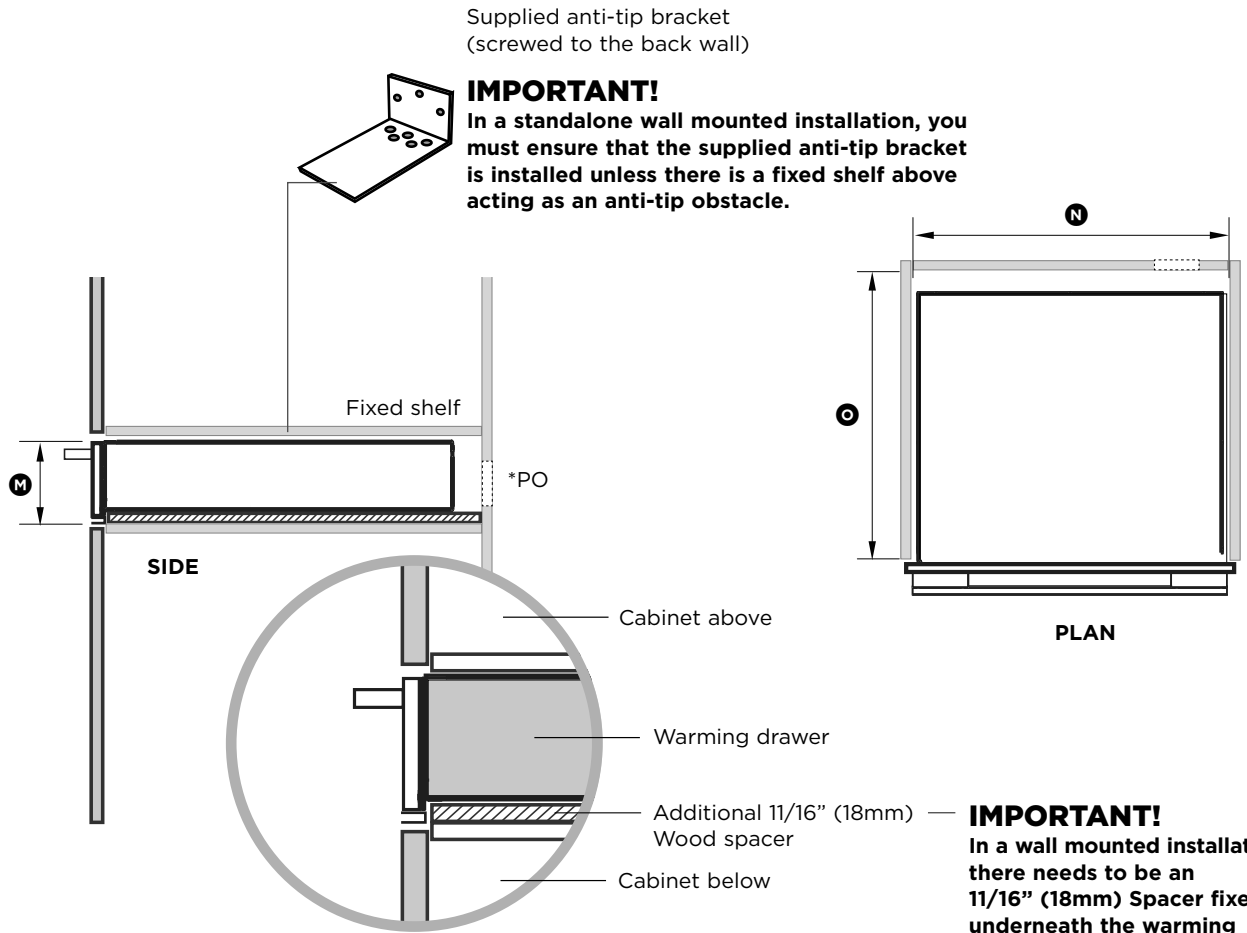
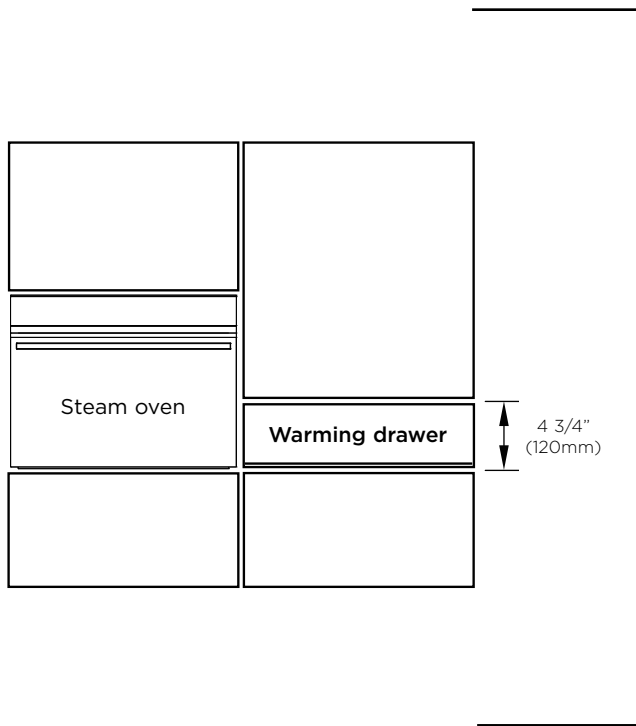
In a wall mounted installation, there needs to be an 11/16" (18mm) Spacer fixed underneath the warming drawer first to raise it to the required height.

CABINERY DIMENSIONS

	inches (mm)
(M) Minimum inside height of cavity with optional Lower trim kit fitted	23 1/4" (590)
without optional Lower trim kit fitted	22 1/2" (570)
(N) Inside width of cavity	22" (560)
(O) Minimum inside depth of cavity	22 1/4" (565)

Note: When installed in combination with a companion product the companion product may be placed directly onto the warming drawer. It is not necessary to place a shelf between the products. A built-in shelf at the base of the cabinetry able to support the weight of both products is required.

* PO - POWER OUTLET. Ensure there is an accessible earthed power outlet within 35 7/16" (900mm) of the centre rear of the product.



Supplied anti-tip bracket
(screwed to the back wall)

IMPORTANT!
In a standalone wall mounted installation, you must ensure that the supplied anti-tip bracket is installed unless there is a fixed shelf above acting as an anti-tip obstacle.

IMPORTANT!
In a wall mounted installation, there needs to be an 11/16" (18mm) Spacer fixed underneath the warming drawer first to raise it to the required height.

CABINERY DIMENSIONS		inches (mm)
(M)	Inside height of cavity	4 3/4" (120)
(N)	Inside width of cavity	22" (560)
(O)	Minimum inside depth of cavity	21 1/2" (545)

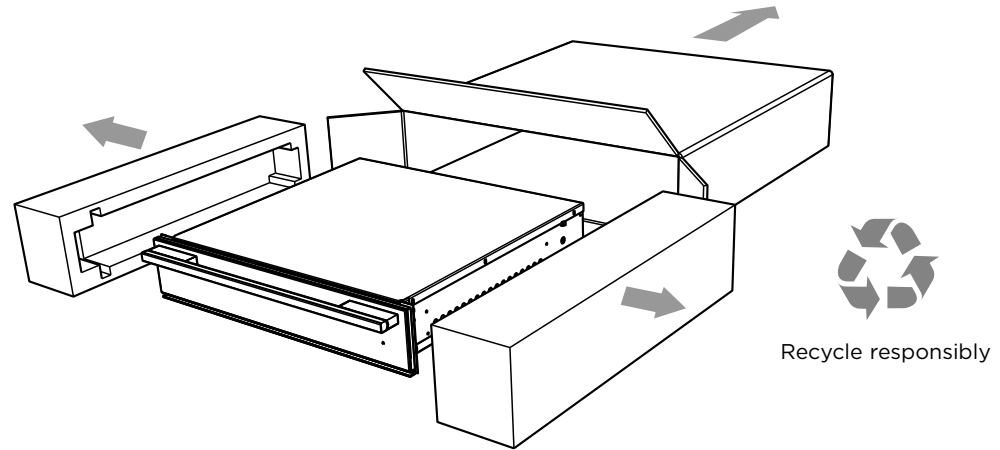
* PO - POWER OUTLET. Ensure there is an accessible earthed power outlet within 35 7/16" (900mm) of the centre rear of the product.

⑥ DISCARD PACKAGING RESPONSIBLY

Unpack the warming drawer and inspect for any signs of damage. Do not install the warming drawer if it has been damaged.

IMPORTANT!

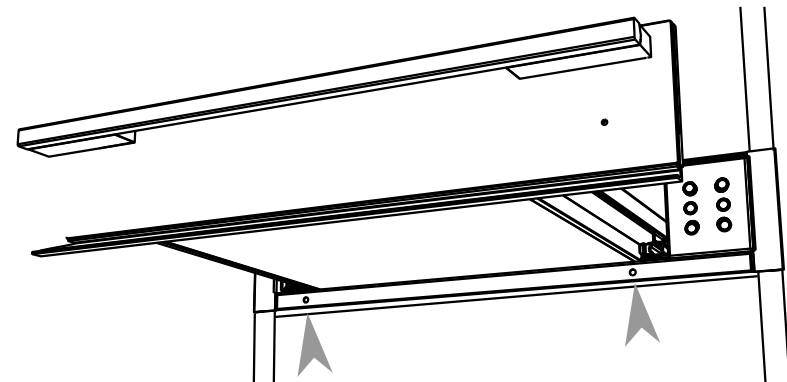
Packing materials (eg plastic bags, polystyrene foam, staples, packing straps etc) and tools should not be left around during and after installation, especially if they are within easy reach of children, as they may cause serious injuries.



⑦ MARK AND PRE-DRILL THE HOLES FOR SECURING THE WARMING DRAWER

IMPORTANT!

Do not lift the warming drawer by the drawer handle.



⑧ CONNECT THE WARMING DRAWER TO THE MAINS SUPPLY

IMPORTANT!

- All electrical work may only be carried out by suitably qualified and competent persons in accordance with national and local safety regulations.
- This warming drawer must be grounded.

Before placing the warming drawer into the cavity, route the power cord into the back of the cavity and plug it in to the switched socket. The switched socket should be in an easily accessible area within 35 7/16" (900mm) of the centre rear of the product.

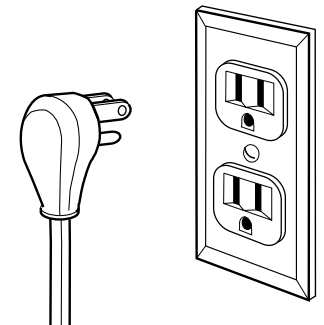
Power requirements

Model code
WB24SDEB / WB24SDEX

Current
4A

Voltage
120V

Wattage
832-960W



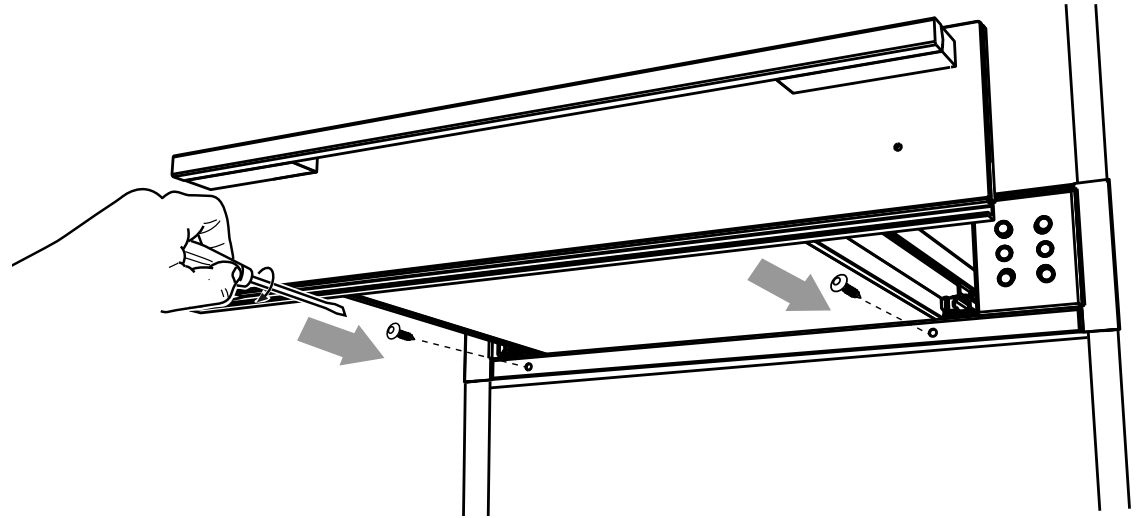
9 SECURE THE WARMING DRAWER TO THE CABINETY

- 1 Ensure the warming drawer is level and positioned in place in the cavity.

IMPORTANT!

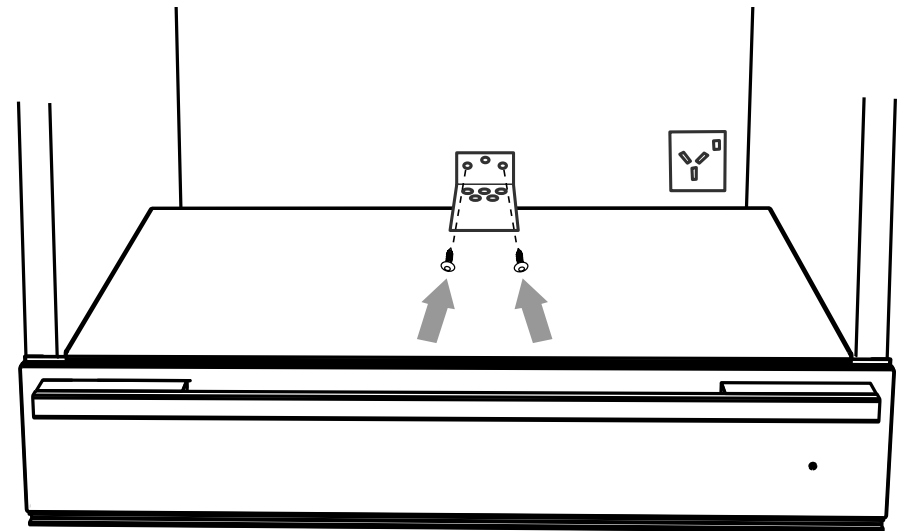
Do not lift the warming drawer by the drawer handle.

- 2 Fully open the drawer.
- 3 Fasten the warming drawer in place with the two screws supplied, through the front trim, beneath the drawer. Do not overtighten the screws.



10 SECURE THE ANTI-TIP BRACKET (OPTIONAL DEPENDING ON CABINETY CONFIGURATION)

If the anti-tip bracket is required (see example scenarios) first secure the product at the front, then place the bracket centrally at the back of the cavity, sitting it on the top of the chassis. Secure it to the rear cabinet wall using the screws provided.



✓ **TO BE COMPLETED BY THE INSTALLER**

- Make sure the warming drawer is level and securely fitted to the cabinetry.
- Make sure any internal packaging has been removed from the drawer.
- Make sure that the isolating switch is accessible by the customer.
- Make sure the anti-tip bracket has been fitted correctly if it is required.
- If installing an oven directly on top of the warming drawer, make sure the supplied oven support brackets have been fitted to the warming drawer.

TEST OPERATION:

- Open the drawer and press the ① button to turn the warming drawer on. The on/off halo and temperature setting 2 (II) halo should glow red.

Shut the drawer.

After 5-10 minutes open the drawer. The internal surfaces of the drawer should feel slightly warmed.

Press the ① button to turn the warming drawer off and shut the drawer.

Complete and keep for safe reference:

Model _____

Serial No. _____

Purchase Date _____

Purchaser _____

Dealer Address _____

Installer's Name _____

Installer's Signature _____

Installation Company _____

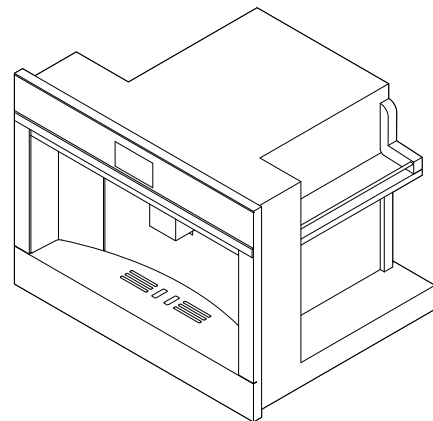
Installation Date _____

FISHERPAYKEL.COM

Copyright © Fisher & Paykel Appliances 2019. All rights reserved.
The product specifications in this document apply to the specific products and models described at the date of issue. Under our policy of continuous product improvement, these specifications may change at any time. You should therefore check with your Dealer to ensure this booklet correctly describes the product currently available.

COFFEE MAKER

EB24 models



① SAFETY AND WARNINGS

IMPORTANT SAFETY INSTRUCTIONS!

Installation



Checking for transport damage

After removing the packaging, make sure the product is complete and undamaged and that all accessories are present. Do not use the appliance if it is visibly damaged. Contact Customer Care.

IMPORTANT!

- Before connecting the appliance to the electrical supply make sure that the voltage and frequency listed on the data plate correspond with the household electrical supply. If in doubt, consult a qualified technician.
- The appliance must be properly installed before operation to ensure that no electrical components are accessible. Ensure that power is not supplied to the appliance while installation work, repairs or maintenance is performed.
- Be certain your appliance is properly installed and grounded by a qualified technician. To guarantee the electrical safety of this appliance, continuity must exist between the appliance and effective grounding system. It is imperative that this basic safety requirement be met. If there is any doubt, have the electrical system of the house checked by a qualified electrician. The manufacturer cannot be held responsible for damages caused by the lack, or inadequacy, of an effective grounding system.
- Do not use an extension cord to connect the appliance to electricity. Extension cord doesn't guarantee the required safety of the appliance (danger of overheating).
- Before service or maintenance disconnect the power supply by either switching off the main switch and unplugging the unit.
- Install or locate this appliance only in accordance with the provided installation instructions.
- Installation work and repairs must be only performed by a trained technician in accordance with national and local safety regulations. Repairs and other work by unauthorized persons could be dangerous and may void the warranty.
- Only use original spare parts. Only then can the manufacturer guarantee the safety of this machine.
- Never open the outer casing of the appliance. Tampering with electrical connections or components and mechanical parts is dangerous and may cause machine damage.
- If the machine is installed in combination with other appliances, a protective base should be installed between the appliance and the unit.
- Do not install or use outdoors even if installed in the display cabinet.

- To protect against fire, electric shock and injury to persons do not submerge the cord or plugs in water or other liquids.
- To reduce the risk of injury, do not drape cord over the counter top or table top where it can be pulled on by children or tripped over unintentionally.
- Do not let the cord hang over the edge of a table or counter, or touch hot surfaces.
- Do not operate any appliance with a damaged cord or plug, or after the appliance malfunctions or has been damaged in any manner.
- Return appliance to an authorized service facility for examination, repair or adjustment.
- To disconnect turn the machine off, switch off the main switch then remove the plug from the wall outlet.
- Do not allow children and animals to stop or linger near the appliance when it is pulled out of the cabinet.
- Do not leave the machine pulled out of the cabinet when it is being used.
- Do not leave the machine pulled out of the cabinet when it is not needed.
- Install the machine according to the instructions in the handbook to guarantee there are no spills when it is pulled out from the cabinet.

IMPORTANT!

SAVE THESE INSTRUCTIONS

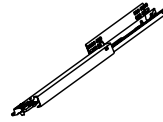
The models shown in this installation guide may not be available in all markets and are subject to change at any time. For current details about model and specification availability in your country, please go to our website fisherpaykel.com or contact your local Fisher & Paykel dealer.

② PARTS SUPPLIED

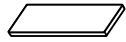


Screws
(28)

Rails (2)



Clip (1)



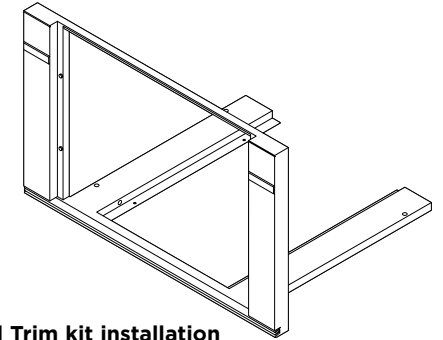
Spacers
(4) for side
(4) for bottom

③ PRIOR TO INSTALLATION

- The countertop and coffee maker cavity are square and level, and are the required dimensions.
- The installation will comply with all clearance requirements and applicable standards and regulations.
- The isolating switch will be easily accessible to the customer with the coffee maker installed.
- The electrician provides sufficient free length of power supply cable to reach from the bottom rear of the cavity to at least 59 1/16" (1.5m) in front of the bottom edge of the opening.
- The cable may enter the cavity from the side, top or bottom, but top entry must be at the rear of the cavity.
- The coffee maker connection socket (if fitted) is outside the cavity if the oven is flush to the rear wall.
- The coffee maker will rest on a surface that can support its weight.
- The height from the floor suits the customer.
- You consult local building authorities and by-laws if in doubt regarding installation.

IMPORTANT!

Some environmental factors and cooking habits can cause condensation in and around the coffee maker during use. To protect surrounding cabinetry from possible damage caused by frequent or excessive condensation, we recommend moisture-proofing the cavity.



Optional Trim kit installation

If you are using a 30" (762mm) trim kit, refer to the separate Trim Kit Installation Guide.

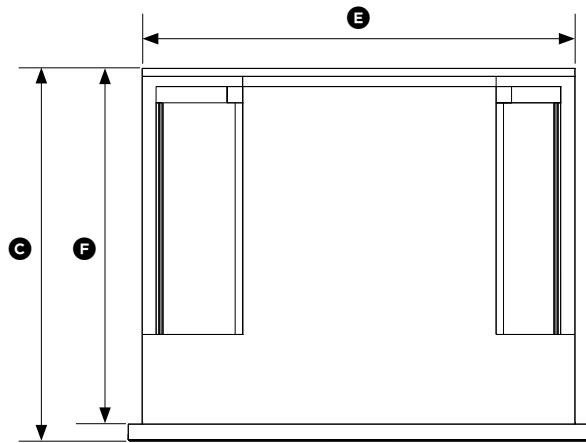
④ AFTER INSTALLATION

IMPORTANT!

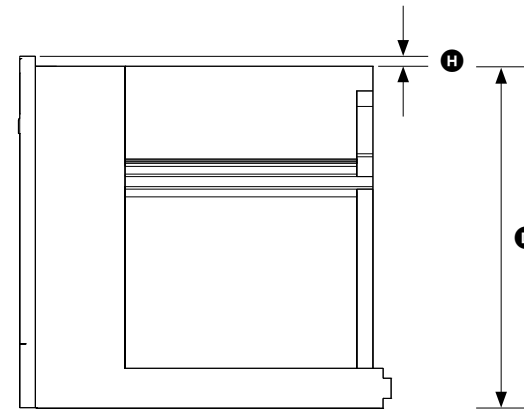
Take extra care not to damage the lower trim of the coffee maker during installation. The trim is important for correct air circulation and allows the door to open and close without obstruction. The manufacturer does not accept any responsibility for damage resulting from incorrect installation.

- The coffee maker can be used fully without obstruction.
- The power supply cable does not touch any hot metal parts.
- The isolating switch is easily accessible to the customer with the coffee maker installed.
- You complete the 'Final checklist' at the end of the installation.
- If, after following the instructions given, correct performance cannot be achieved, please contact your nearest Fisher & Paykel Authorized Service Center, Customer Care, or contact us through our local website listed at the end of this document.

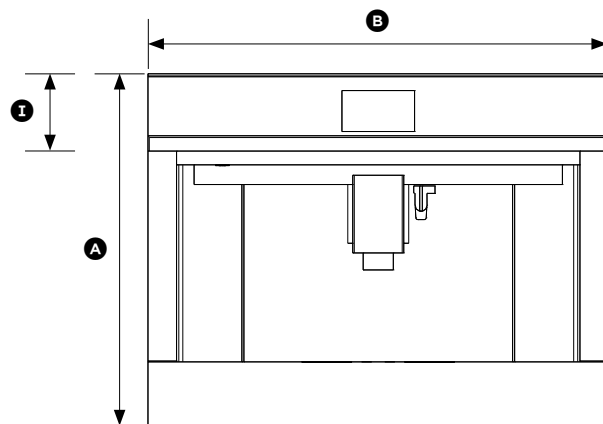
5 PRODUCT DIMENSIONS



TOP



SIDE



FRONT

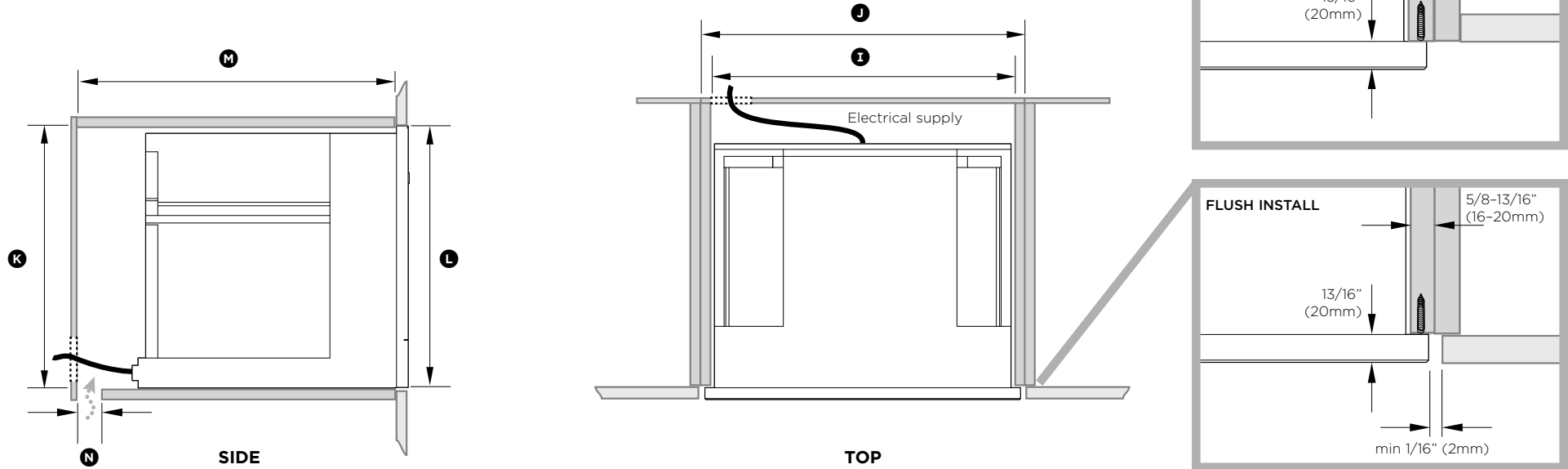
PRODUCT DIMENSIONS	EB24 MODELS
	inches (mm)
(A) Overall height of product	18" (458)
(B) Overall width of product	23 1/2" (596)
(C) Overall depth of product (excluding dials)	18 7/8" (480)
(D) Height of chassis	17 1/2" (445)
(E) Width of chassis	22 1/16" (560)
(F) Depth of chassis	18 1/8" (460)
(G) Depth of coffee maker frame and control panel	13/16" (20)
(H) Stepdown control panel to chassis	1/2" (13)
(I) Height of control panel	4" (100)

6 A CABINETY DIMENSIONS (18 1/8" (460mm) HIGH CAVITY)

Verify the minimum measurements required for correct installation of the appliance. The coffee maker must be installed in a column and the column must be firmly fixed to the wall with commercially available brackets.

IMPORTANT!

- All installation or maintenance operations must be performed with the appliance disconnected from the mains electricity supply.
- Kitchen furniture in direct contact with the appliance must be heat resistant 149°F min (65°C min).
- To guarantee correct ventilation, leave a gap at the bottom of the cabinet (see measurements below).



CABINETY DIMENSIONS	EB24 MODELS	
	inches (mm)	
ⓐ Minimum inside width of cavity	22 1/16" (560)	
ⓑ Overall width of cabinetry	23 5/8" (600)	
Ⓚ Minimum inside height of cavity	17 3/4" (450)	
Ⓛ Overall height of cabinetry	18 1/8" (460)	
Ⓜ Minimum inside depth of cavity	21 7/16" (545)	
Ⓝ Ventilation Air Gap	2" (50)	

6 B CABINETS DIMENSIONS (18 7/8" (480mm) CAVITY TRIM KIT)

Verify the minimum measurements required for correct installation of the appliance. The coffee maker must be installed in a column and the column must be firmly fixed to the wall with commercially available brackets.

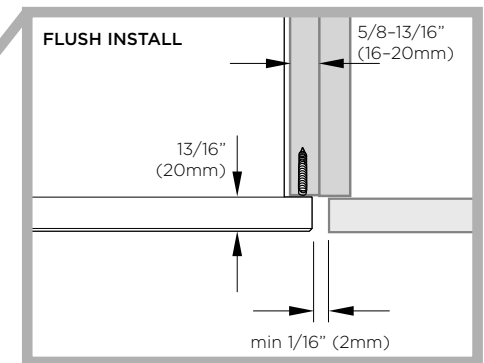
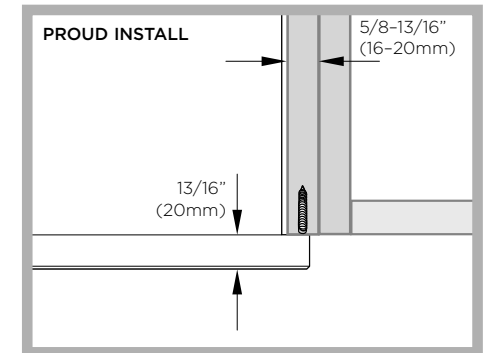
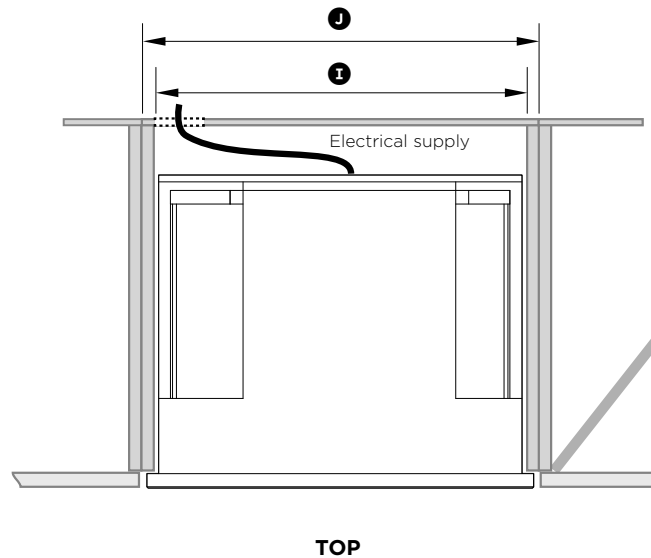
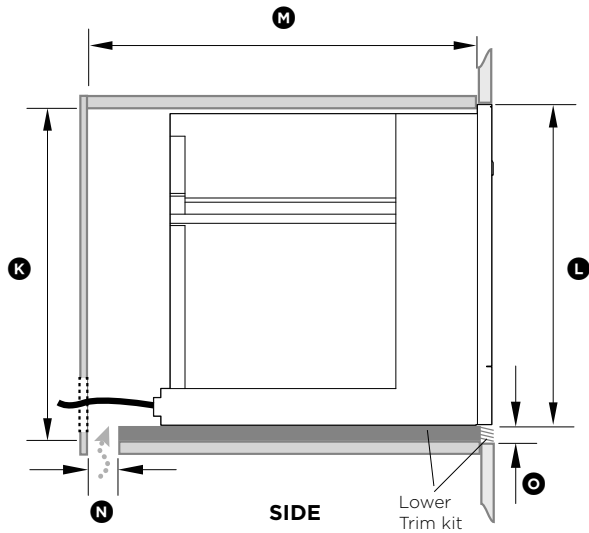
Lower Trim Kit

The Lower Trim kit shown is available to order separately from fisherpaykel.com.

To install the trim kit, refer to the instructions which accompany it.

IMPORTANT!

- All installation or maintenance operations must be performed with the appliance disconnected from the mains electricity supply.
- Kitchen furniture in direct contact with the appliance must be heat resistant 149°F min (65°C min).
- To guarantee correct ventilation, leave a gap at the bottom of the cabinet (see measurements below).

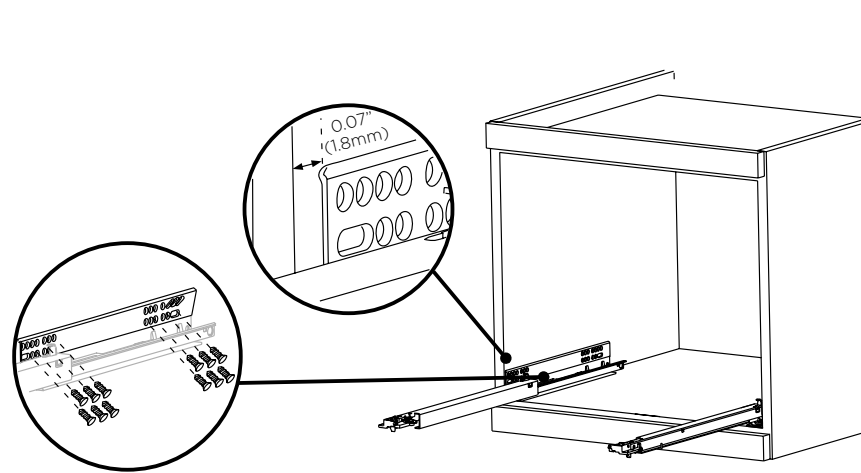


CABINETS DIMENSIONS

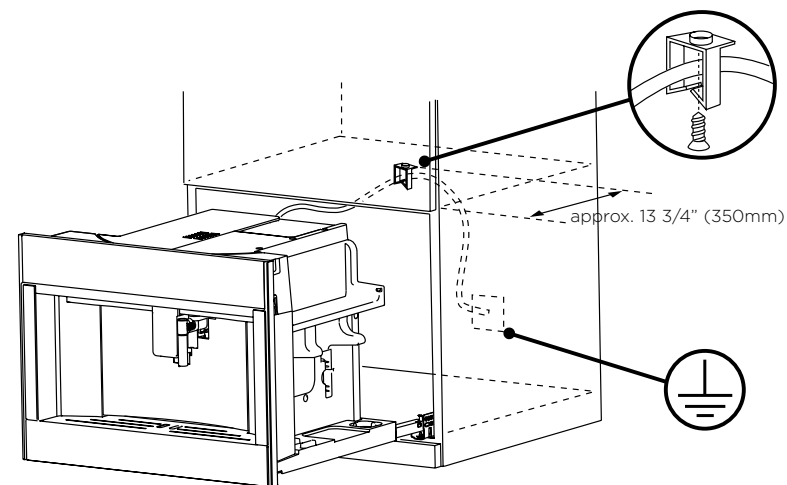
EB24 MODELS

	inches (mm)
ⓐ Minimum inside width of cavity	22 1/16" (560)
ⓑ Overall width of cabinet	23 5/8" (600)
ⓒ Minimum inside height of cavity	18 1/2" (470)
ⓓ Overall height of cabinet	18 7/8" (480)
ⓔ Minimum inside depth of cavity	21 7/16" (545)
ⓕ Ventilation air vent	2" (50)
ⓖ Height of trim kit	13/16" (20)

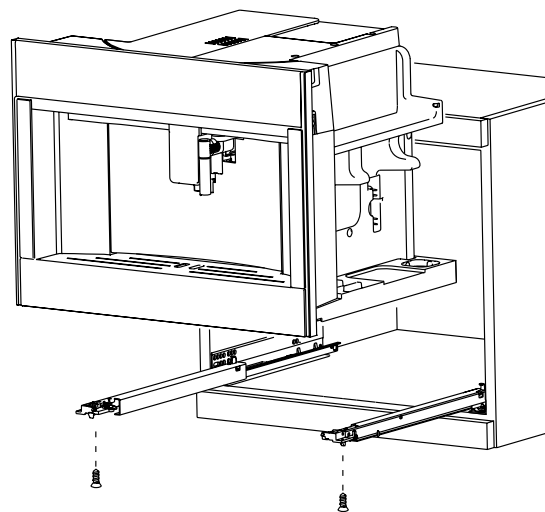
7 INSTALLATION INSTRUCTIONS



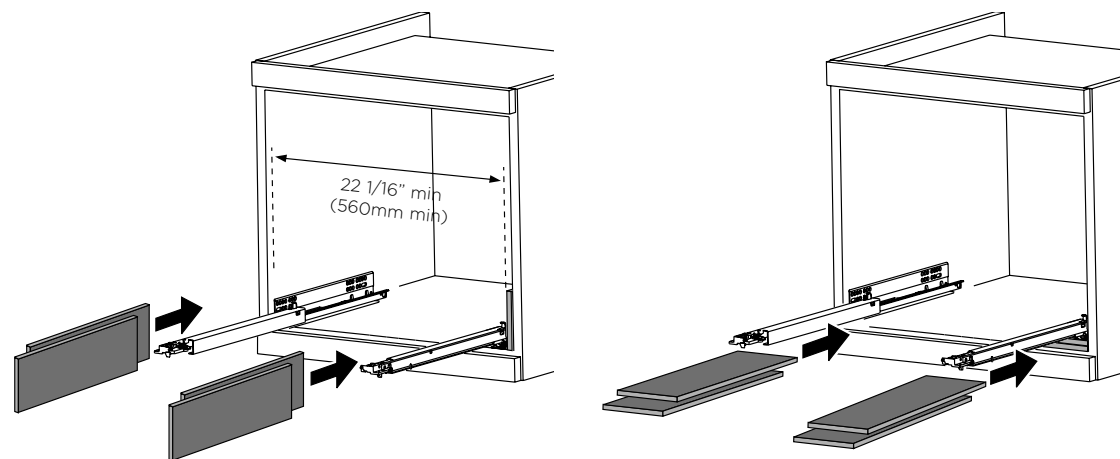
- ① Position the rails on the sides of the cabinet. Fix with the screws provided, then extract them completely.
- If the coffee maker is installed over a warmer drawer, use the top surface of this as a reference to position the rails.
 - In this case, there will be no surface to rest the rails on.



- ② Fix the power cable with the clip. The power cable must be long enough to allow the appliance to be extracted from the cabinet to fill the coffee bean container.
- The appliance must be earthed in compliance with legislation.
 - Electrical connections must be performed by a qualified electrician following the instructions.



- ③ Position the appliance on the rails, making sure the pins are correctly inserted in the housings, then fix it with the screws supplied. If the height of the appliance requires adjusting, use the spacer disks provided.



- ④ If necessary, correct alignment of the appliance by positioning the spacers supplied under or at the sides of the support.

8 CONNECT THE WARMING DRAWER TO THE MAINS SUPPLY

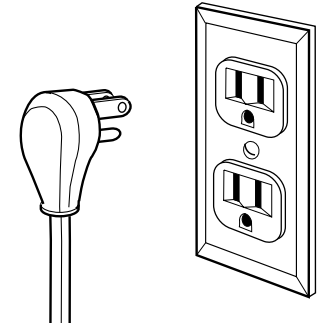
IMPORTANT!

- All electrical work may only be carried out by suitably qualified and competent persons in accordance with national and local safety regulations.
- This warming drawer must be grounded.

Before placing the coffee maker into the cavity, route the power cord into the back of the cavity and plug it in to the switched socket. The switched socket should be in an easily accessible area within 35 7/16" (900mm) of the centre rear of the product.

Power requirements

Model Code	Power	Voltage	Wattage	Hz
EB24	11.25 A	120 V	1350 W	60 Hz



✓ **TO BE COMPLETED BY THE INSTALLER**

- Make sure the coffee maker is level and securely fitted to the cabinetry.
- Check the lower trim is undamaged.
- Check there is adequate clearance. This is to ensure correct air circulation.
- Make sure any cable ties and internal packaging has been removed from the coffee maker cavity.
- Make sure all coffee maker vents and openings are clear and free of any obstruction or damage.

IMPORTANT!

Failure to make sure all vents are clear may result in poor product performance.

- Make sure the isolating switch is accessible by the customer.

TEST OPERATION:

- Turn the power to the coffee maker on. The display should light up.
- Have you demonstrated the basic operation to the customer?
- Fill the water tank to the indicated level.

Complete and keep for safe reference:

Model _____

Serial No. _____

Purchase Date _____

Purchaser _____

Dealer Address _____

Installer's Name _____

Installer's Signature _____

Installation Company _____

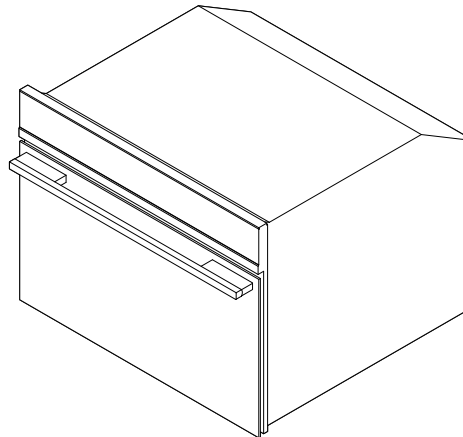
Installation Date _____

FISHERPAYKEL.COM

Copyright © Fisher & Paykel Appliances 2020. All rights reserved.
The product specifications in this document apply to the specific products and models described at the date of issue. Under our policy of continuous product improvement, these specifications may change at any time. You should therefore check with your Dealer to ensure this booklet correctly describes the product currently available.

STEAM OVEN

OS24N models



① SAFETY AND WARNINGS

Installation

⚠ WARNING!



Electrical Shock Hazard

Before carrying out any work on the electrical section of the appliance, it must be disconnected from the mains electricity supply. Connection to a good ground wiring system is absolutely essential and mandatory. Alterations to the domestic wiring system must only be made by a qualified electrician. Failure to follow this advice may result in electrical shock or death.

⚠ WARNING!



Fire Hazard

Do not use adapters, reducers, or branching devices to connect this appliance to the mains power supply. Failure to follow this advice may result in overheating, burning, or fire.

⚠ WARNING!



Cut Hazard

Take care - some edges are sharp. Failure to use caution could result in injury or cuts.

IMPORTANT SAFETY INSTRUCTIONS!

To avoid hazard, follow these instructions carefully before installing or using this appliance.

- Save these instructions for the local inspectors use.
- Please make this information available to the person installing the appliance - doing so could reduce your installation costs.
- This oven is to be installed and connected to the electricity supply only by an authorized person.

- If the installation requires alterations to the domestic electrical system, call a qualified electrician. The electrician should also check that the socket cable section is suitable for the electricity drawn by the oven.
- The oven must be grounded.
- Installation must comply with your local building and electricity regulations.
- This appliance must be installed and connected to the mains power supply only by a suitably qualified person according to these installation instructions and in compliance with any applicable local building and electricity regulations. Failure to install the appliance correctly could invalidate any warranty or liability claims.
- If the power supply cable is damaged, it must be replaced by the manufacturer, its service agent or similarly qualified person in order to avoid a hazard.
- A circuit breaker is recommended.
- Do not use adaptors, reducers or branching devices to connect the oven to the mains electricity supply, as they can cause overheating and burning.
- Make sure the cavity is completely sealed with no gaps. This is to ensure the oven cooling system functions correctly.
- Do not allow children and animals to stop or linger near the appliance when it is pulled out of the cabinet.
- Do not leave the machine pulled out of the cabinet when it is being used.
- Do not leave the machine pulled out of the cabinet when it is not needed.
- Install the machine according to the instructions in the handbook to guarantee there are no spills when it is pulled out from the cabinet.

Electrical requirements

- Connect oven with copper wire only.
- Do not cut the conduit.
- A U.L. listed conduit connector must be provided at the junction box.
- Do not ground to a gas pipe.
- Do not have a fuse in the grounding or neutral circuit.
- Fuse both sides of the line.
- A time delay fuse or circuit breaker is recommended. If using a time delay fuse, then fuse both sides of the line.
- Flexible armored cable from the appliance should be connected directly to the junction box.
- Connect directly to the fused disconnect (or circuit breaker box) through flexible, armored or non-metallic sheathed, copper cable (with grounding wire).
- If codes permit and a separate grounding wire is used, it is recommended that a qualified electrician determine that the grounding path and wire gauge are in accordance with local codes.

IMPORTANT! SAVE THESE INSTRUCTIONS

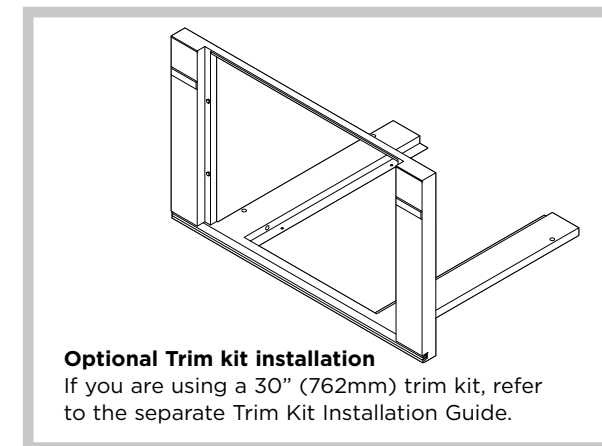
The models shown in this installation guide may not be available in all markets and are subject to change at any time. For current details about model and specification availability in your country, please go to our website fisherpaykel.com or contact your local Fisher & Paykel dealer.

② PRIOR TO INSTALLATION

- The countertop and oven cavity are square and level, and are the required dimensions.
- The installation will comply with all clearance requirements and applicable standards and regulations.
- The isolating switch will be easily accessible to the customer with the oven installed.
- The electrician provides sufficient free length of power supply cable to reach from the bottom rear of the cavity to at least 59 1/16" (1.5m) in front of the bottom edge of the opening.
- The cable may enter the cavity from the side, top or bottom, but top entry must be at the rear of the cavity.
- The oven connection socket (if fitted) is outside the cavity if the oven is flush to the rear wall.
- The oven will rest on a surface that can support its weight.
- The height from the floor suits the customer.
- You consult local building authorities and by-laws if in doubt regarding installation.

IMPORTANT!

Some environmental factors and cooking habits can cause condensation in and around the oven during use. To protect surrounding cabinetry from possible damage caused by frequent or excessive condensation, we recommend moisture-proofing the oven cavity.



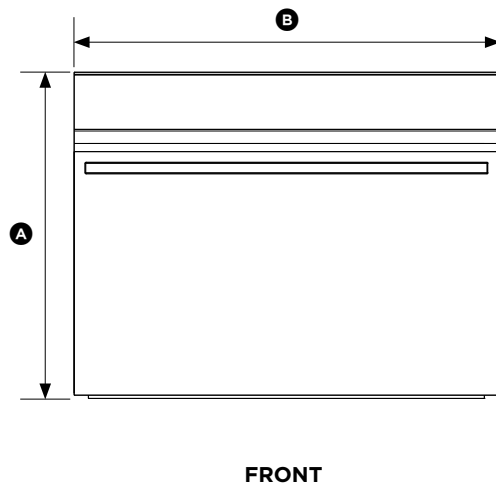
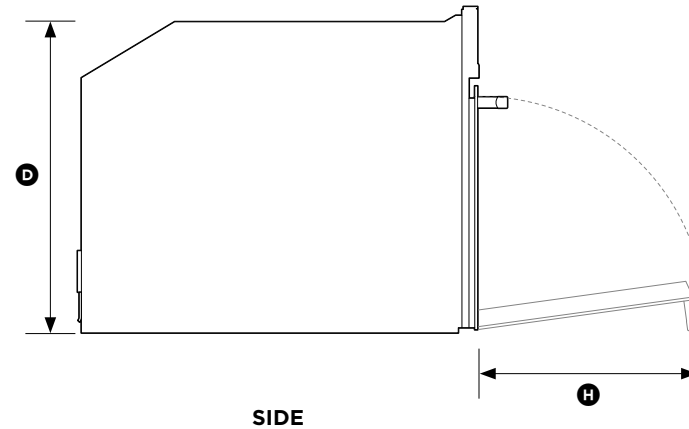
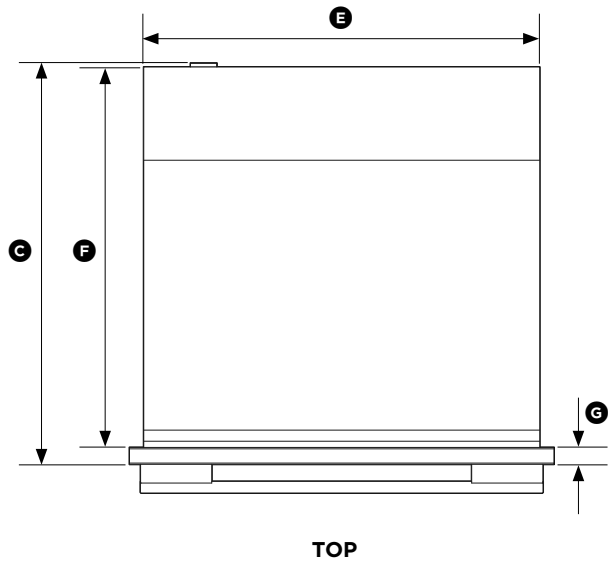
③ AFTER INSTALLATION

IMPORTANT!

Take extra care not to damage the lower trim of the oven during installation. The trim is important for correct air circulation and allows the door to open and close without obstruction. The manufacturer does not accept any responsibility for damage resulting from incorrect installation.

- The oven door(s) can open fully without obstruction.
- The power supply cable does not touch any hot metal parts.
- The isolating switch is easily accessible to the customer with the oven installed.
- You complete the 'Final checklist' at the end of the installation.
- If, after following the instructions given, correct performance cannot be achieved, please contact your nearest Fisher & Paykel Authorized Service Center, Customer Care, or contact us through our local website listed at the end of this document.

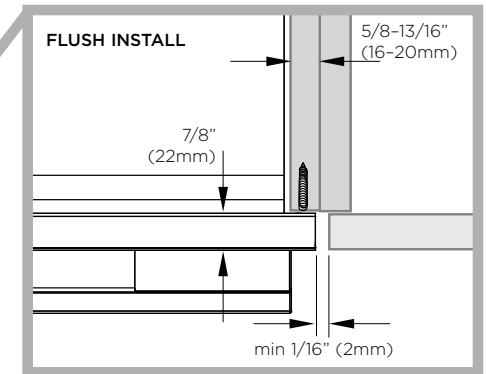
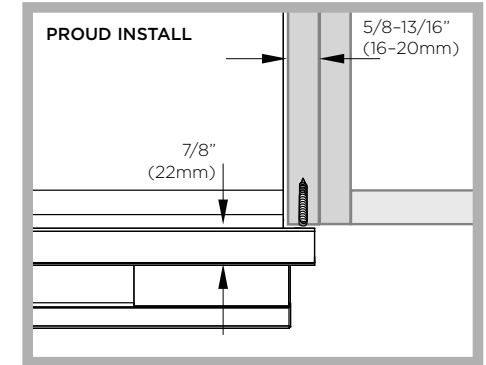
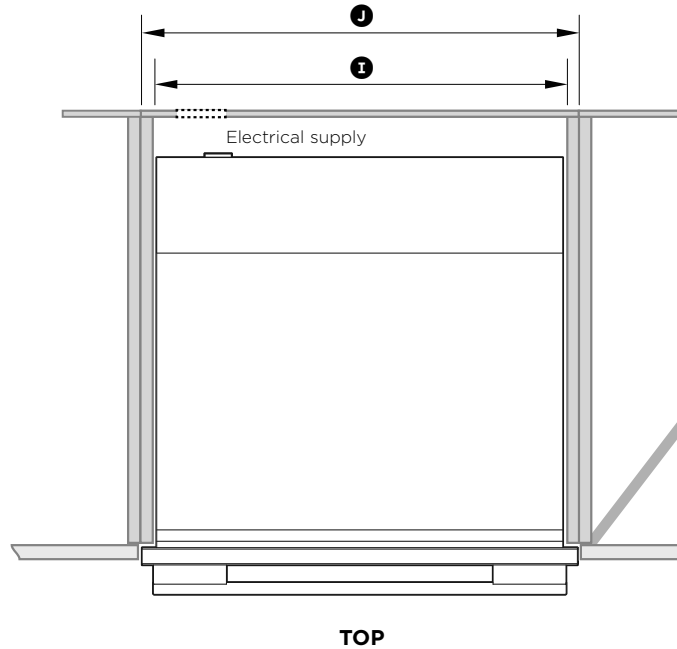
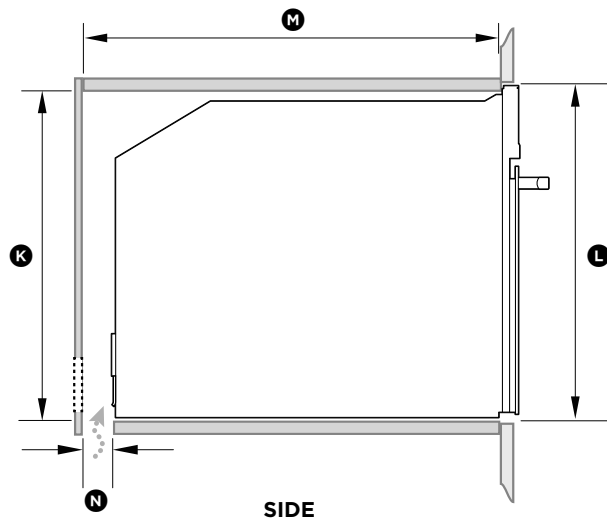
④ PRODUCT DIMENSIONS



PRODUCT DIMENSIONS	OS24N MODELS
	inches (mm)
Ⓐ Overall height of product	18" (458)
Ⓑ Overall width of product	23 7/16" (596)
Ⓒ Overall depth of product (excluding handle and dials)	22 1/8" (562)
Ⓓ Height of chassis	17 1/2" (445)
Ⓔ Width of chassis	21 7/8" (556)
Ⓕ Depth of chassis	21 1/4" (540)
Ⓖ Depth of oven frame and control panel (=distance between front of chassis and front of oven door, excl. knobs)	7/8" (22)
Ⓗ Depth of oven door when fully open (measured from front of control panel)	12 5/8" (320)

5 A CABINETS DIMENSIONS (18 1/8" (460mm) HIGH CAVITY)

- The oven can be installed under a cooktop, in a column, or combined with the companion warmer drawer.
- The cabinet material must be able to withstand heat.
- The oven must be centered within the walls of the cabinet and fixed with the screws and bushings that are provided.



CABINETS DIMENSIONS	OS24N MODELS	
	inches (mm)	
Ⓘ Minimum inside width of cavity	22 1/16" (560)	
Ⓙ Overall width of cabinetry	23 5/8" (600)	
Ⓚ Minimum inside height of cavity	17 3/4" (450)	
Ⓛ Overall height of cabinetry	18 1/8" (460)	
Ⓜ Minimum inside depth of cavity	22 1/16" (560)	
Ⓝ Ventilation air vent	2" (50)	

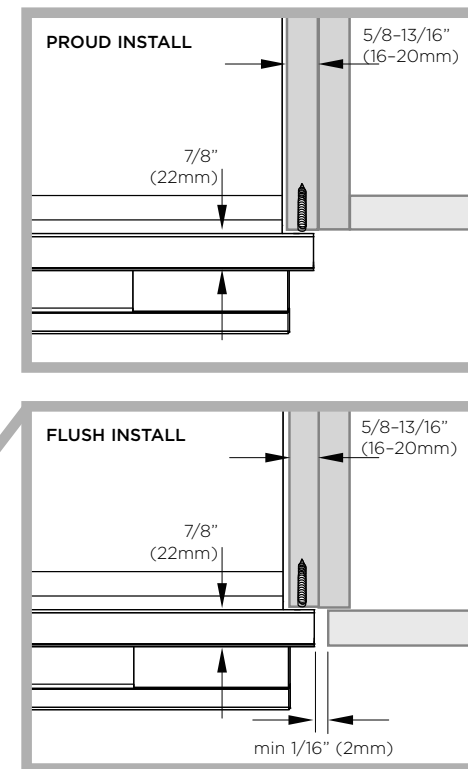
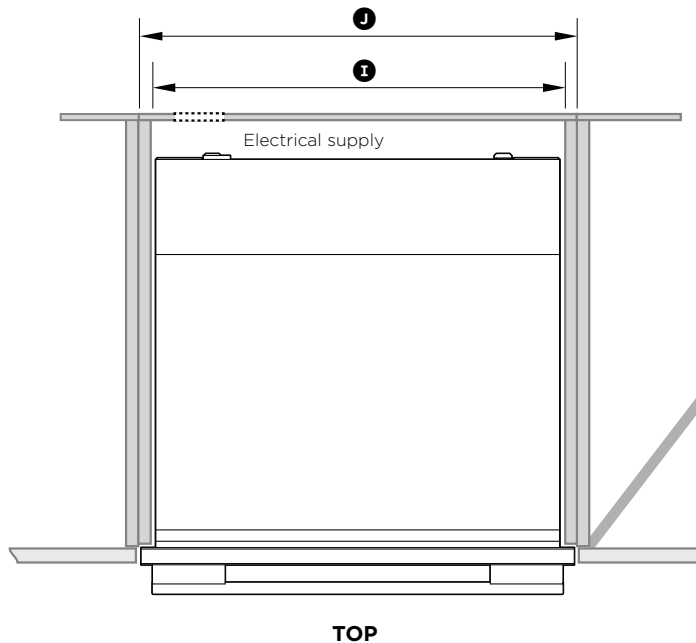
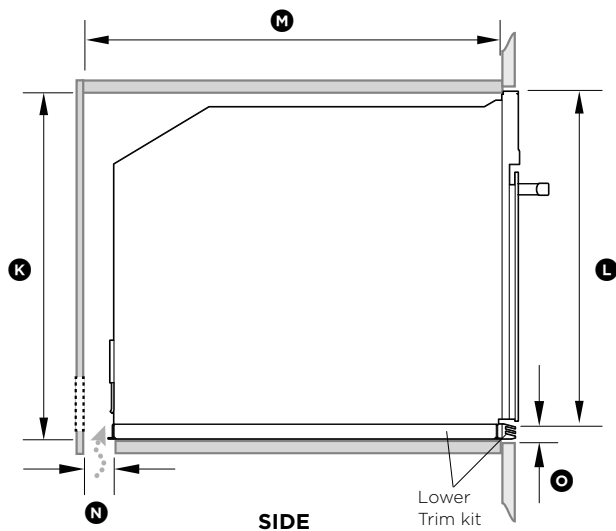
Note: If installing a cooktop above the oven, ensure adequate clearance is provided for the cooktop as per the cooktop manufacturer's instructions.

5 B CABINETY DIMENSIONS (18 7/8" (480mm) CAVITY TRIM KIT)

- The oven must be installed under a cook top, in a column, or combined with the companion warmer drawer.
- The cabinet material must be able to withstand heat.
- The oven must be centred within the walls of the cabinet and fixed with the screws and bushings that are provided.

Lower Trim Kit

The Lower Trim kit shown is available to order separately from fisherpaykel.com. To install the trim kit, refer to the instructions which accompany it.



CABINETY DIMENSIONS

- Ⓢ Minimum inside width of cavity
- Ⓣ Overall width of cabinetry
- Ⓚ Minimum inside height of cavity
- Ⓛ Overall height of cabinetry
- Ⓜ Minimum inside depth of cavity
- Ⓝ Ventilation air vent
- Ⓞ Height of trim kit

OS24N MODELS

inches (mm)

Ⓢ	Minimum inside width of cavity	22 1/16" (560)
Ⓣ	Overall width of cabinetry	23 5/8" (600)
Ⓚ	Minimum inside height of cavity	18 1/2" (470)
Ⓛ	Overall height of cabinetry	18 7/8" (480)
Ⓜ	Minimum inside depth of cavity	22 1/16" (560)
Ⓝ	Ventilation air vent	2" (50)
Ⓞ	Height of trim kit	13/16" (20)

Note: If installing a cooktop above the oven, ensure adequate clearance is provided for the cooktop as per the cooktop manufacturer's instructions.

6 ELECTRICAL HOOK-UP

Before connecting to the electricity, make sure that the:

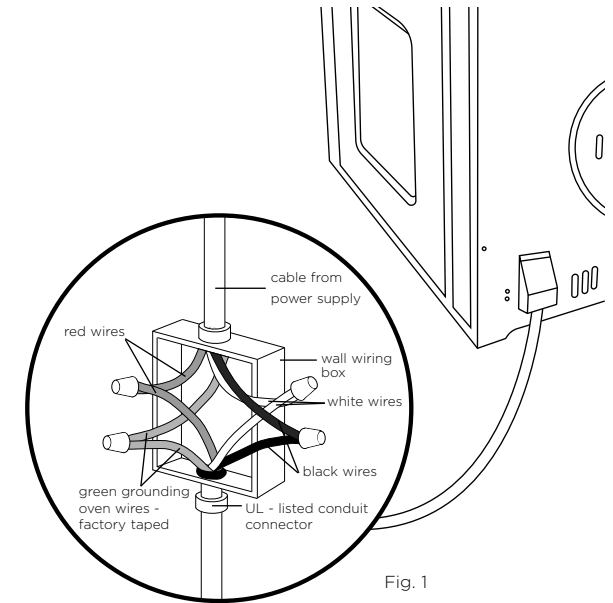
- specifications of the electrical system match with what is detailed on this section. (Fig. 1)
- system has an effective ground connection compliant with current standards and laws.

The ground connection is required by law. The cable must not, at any point, reach a temperature greater than 122°F (50°C) above room temperature.

This oven must be connected to the electricity through a power supply cable and plug that is compatible with the outlet of the electrical system that powers this oven. If a fixed appliance does not have a power cord and plug, or another device that ensures disconnection from the mains, with an opening distance of the contacts that allows complete disconnection, such disconnection devices must be provided in the power supply mains conforming to the installation rules. The omnipolar socket or switch must be easy to reach when the appliance is installed.

NOTE: The manufacturer declines all liability if the usual accident prevention standards and the above instructions are not followed.

MAX POWER	HZ	VOLTAGE (V)	AMPS (A)
3000	60 Hz	240V	12.5
2250	60 Hz	208V	10.8



7 SECURE THE OVEN TO THE CABINETY

- 1 Position the oven in the prepared cavity.

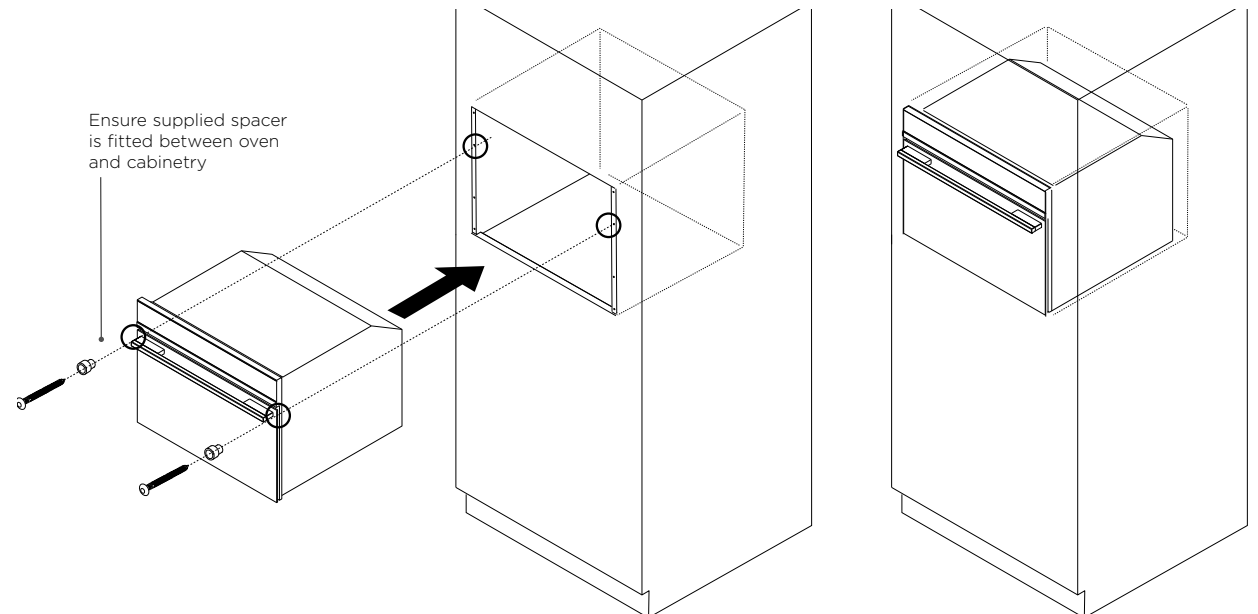
IMPORTANT!

Do not lift the oven by the door handle.

- 2 Use the supplied screws and spacers to secure the oven to the cabinetry.

IMPORTANT!

- Do not over-tighten the screws.
- Take care not to damage the lower trim of the oven.
- Do not seal the oven into the cabinetry with silicone or glue. This makes future servicing difficult. Fisher & Paykel will not cover the costs of removing the oven, or of damage caused by this removal.



8 FINAL CHECKLIST

✓ TO BE COMPLETED BY THE INSTALLER

- Make sure the oven is level and securely fitted to the cabinetry.
- Check the lower trim is undamaged.
- Open the oven door slowly until it is fully open and check there is adequate clearance between the bottom of the door and the lower trim. This is to ensure correct air circulation. Should the lower trim become damaged, straighten the trim and ensure the oven door opens fully without obstruction.
- Make sure any cable ties and internal packaging has been removed from the oven cavity.
- Make sure all oven vents and openings are clear and free of any obstruction or damage.

IMPORTANT!

Failure to make sure all oven vents are clear may result in poor product performance.

- Make sure the isolating switch is accessible by the customer.

TEST OPERATION:

- Have you demonstrated the basic operation to the customer?
Refer to User Guide.

Complete and keep for safe reference:

Model _____

Serial No. _____

Purchase Date _____

Purchaser _____

Dealer Address _____

Installer's Name _____

Installer's Signature _____

Installation Company _____

Installation Date _____

FISHERPAYKEL.COM

Copyright © Fisher & Paykel Appliances 2020. All rights reserved.
The product specifications in this document apply to the specific products and models described at the date of issue. Under our policy of continuous product improvement, these specifications may change at any time. You should therefore check with your Dealer to ensure this booklet correctly describes the product currently available.