

Integrated CoolDrawer™ Multi-temperature Drawer

Series 9 | Integrated

Panel Ready

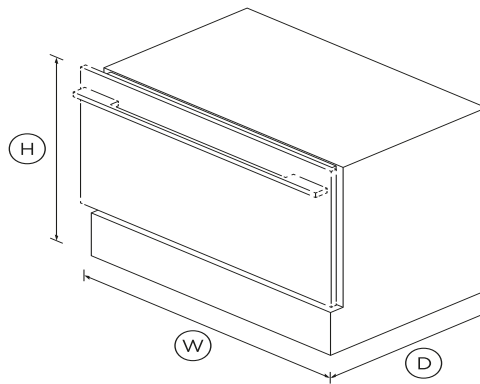


Use your CoolDrawer™ as a refrigerator, pantry or freezer with the push of a button. Customize with cabinetry or a stainless steel panel.

- Variable Temperature Zone lets you change between five different food modes - refrigerator, freezer, pantry, chill and wine
- Choose between a Professional or Contemporary stainless steel front panel and handle, or customize with your own kitchen cabinetry

DIMENSIONS

Height	25 3/16"
Width	33 11/16"
Depth	21 15/16"



FEATURES & BENEFITS

FRIDGE

The ideal storage for most foods such as fruit and vegetables, dairy products, processed meats and drinks. The compact upper storage tray is a perfect place for sensitive foods such as peaches, cherries, cheeses and deli items, while the tall bin is ideal for large bottles and containers.

PANTRY

Designed for foods that require a cool, dark place for storage, such as tropical fruits, tomatoes, bananas, bread and cereals.

Pantry Mode provides a solution for all those foods that you didn't previously know what to do with and have always resorted to storing on the bench or in the cupboard.

WINE MODE

Using Wine Mode, connoisseurs can take advantage of special settings that preserve and present wine at its optimum temperature. Wine Mode is ideal for long term storage of all wine at 54°F. It also offers short term storage at 45°F for white wine and 59°F for red wine.

CHILL MODE

Chill Mode sets the compartment to a temperature ideal for highly perishable meats, poultry and seafood. For these types of food it is ideal to hold them at a temperature as close to freezing as possible to retain their vital freshness. Chill Mode sets the compartment at 31°F, just above the freezing temperature for meat.

FREEZER MODE

Ideal for general frozen food storage with the added flexibility of three freezer functions - bottle chill, fast freeze and deep freeze. Freezer Mode is set at 0°F for longer term storage for frozen items.

SPECIFICATIONS

Accessories

Contemporary round handle	AHS-RB90S
Professional round flush handle	AHP3RD36S
Professional square handle kit	AHV2-RF36DD36
Square fine aluminium handle	AHD5RD36S
Square fine black handle kit	AHD5RD36SB
Stainless steel door panel set,	RD3625S

Consumption

Energy rating	Energy star Most efficient
---------------	-----------------------------------

Features

- Door alarm
- Rapid cool function
- SmartTouch control panel

Power requirements

Supply voltage **110V**

Product dimensions

Depth **21 15/16"**
Height **25 3/16"**
Width **33 11/16"**

Safety and compliance

- ADA compliant

Warranty

Parts and labor **2 years**
Sealed system parts and labor **additional 3 years**

SKU **25281**

Other product downloads available at fisherpaykel.com

- [↓](#) User Guide
- [↓](#) Guide d'utilisation
- [↓](#) Energy Label
- [↓](#) Service & Warranty
- [↓](#) Installation Guide
- [↓](#) Data Sheet Integrated CoolDrawer

**A PEACE OF MIND SALE****24 Hours 7 Days a Week Customer Support****T 1.888.936.7872 Wwww.fisherpaykel.com**

The product dimensions and specifications in this page apply to the specific product and model. Under our policy of continuous improvement, these dimensions and specifications may change at any time. You should therefore check with Fisher & Paykel's Customer Care Centre to ensure this page correctly describes the model currently available. ? Fisher & Paykel Appliances Ltd 2020