

DCS Grill, 48", Rotisserie, Side Burners

Series 7 | All

Stainless Steel | LPG



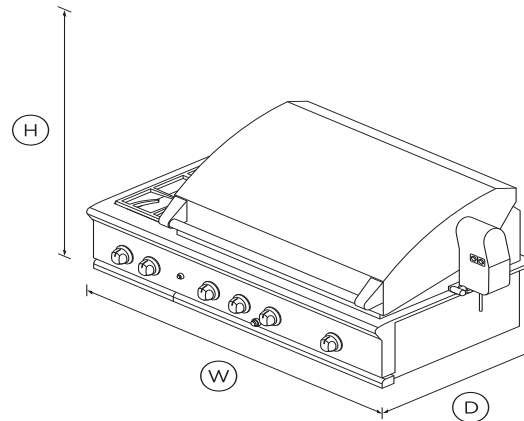
Plentiful room to prepare food, to grill or rotisserie while side burners allow you to cook your sides at the same time as your main.

- Three grill burners, infrared rotisserie burner and two side burners
- Build in to your outdoor kitchen bench, or purchase our DCS cart separately to create a freestanding grill.
- The infrared rotisserie burner is ideal for slow-cooking and roasting meats evenly with controlled searing.

- Constructed from 304-grade stainless steel, designed for outdoor durability and performance

DIMENSIONS

Height	616mm
Width	1217mm
Depth	673mm



FEATURES & BENEFITS

Grease Management System™

The patented Grease Management System™ reduces flare-ups by channelling grease and oils away from the burner flames during grilling.

Full surface searing

Double-sided cast stainless steel grilling grates deliver perfect

sear lines while at the same time, conveniently channelling away oil to an easily removable capture tray.

Design quality

Designed to last a lifetime and featuring heavy grade 304 stainless steel throughout, these grills are cleverly engineered and detailed with welded & polished seams, heavy duty fittings, handles and controls.

Heavy-Duty Rotisserie

An infrared rotisserie burner provides controlled searing heat, and its heavy duty motor with stainless steel hexagonal rod and adjustable forks can accommodate a 25kg load.

Total Visibility

The Smart Beam™ grill light illuminates the entire cooking surface for better visibility at night. A 40 watt halogen light is integrated into the patented weather proof rotisserie motor, making it easily accessible and ergonomic.

Stainless steel burners

The precision ported u-shaped stainless steel burners are rated at a significant 27 MJ/h each - designed for premium quality and performance.

SPECIFICATIONS

Burners

Rotisserie system •

Cooking Surface Area

Primary cooking area	0.41sq. m.
Side burner area	0.16sq. m.
Total cooking area	0.72sq. m.
Warming rack area	0.16sq. m.

Features

304 Grade stainless steel gas	•
304 grade Stainless Steel	•
Designer metal control knobs	•
Double sided Stainless Steel	•
Full surface searing	•
Removable Stainless Steel	•
Rotisserie system	•
Secondary cooking	1-level warming rack
Stainless steel drip tray	•

Height	616mm
Width	1217mm

Warranty

Parts and labour	Limited 2 years
------------------	------------------------

SKU	85245
-----	-------

The product dimensions and specifications in this page apply to the specific product and model. Under our policy of continuous improvement, these dimensions and specifications may change at any time. You should therefore check with Fisher & Paykel's Customer Care Centre to ensure this page correctly describes the model currently available. Fisher & Paykel Appliances Ltd 2020

Where applicable:

All appliances use energy, and energy usage typically generates carbon emissions. **Fisher & Paykel Appliances' In-use Energy Carbon Emissions Estimate** indicates carbon emissions from a product's in-use energy. This is calculated either annually or per cycle, using the product's market-specific energy label energy consumption data multiplied by the carbon emissions factor for energy in your country or region.

Our In-use Energy Carbon Emissions Estimate is designed to assist customers in making informed purchasing decisions when comparing different Fisher & Paykel products. For example, a heat pump dryer typically has a lower In-use Energy Carbon Emissions Estimate than a vented dryer.

Finish

Weather resistant	•
-------------------	---

Installation

Available in built-in or on cart	•
Optional cart mount	CAD-48

Performance

Ceramic radiant technology	•
Grease management system™	•
Speed of rotisserie	6rpm
Weight rotisserie can handle	25kg

Power requirements

Grill power supply	9V Battery for Ignition
Rotisserie power supply	240V
Rotisserie supply frequency	50Hz

Product dimensions

Depth	673mm
-------	--------------

Other product downloads available at fisherpaykel.com

- [!\[\]\(269ecda55a64d643f7a554661696c989_img.jpg\) Installation & User Guide Professional Grill](#)
- [!\[\]\(457b16d52067f602a9b1f53ec424662a_img.jpg\) Service & Warranty](#)



A PEACE OF MIND SALE

24 Hours 7 Days a Week Customer Support

T 1300 650 590 Wwww.fisherpaykel.com