

Double DishDrawer™ Dishwasher, Sanitise

Series 7 | Contemporary

White

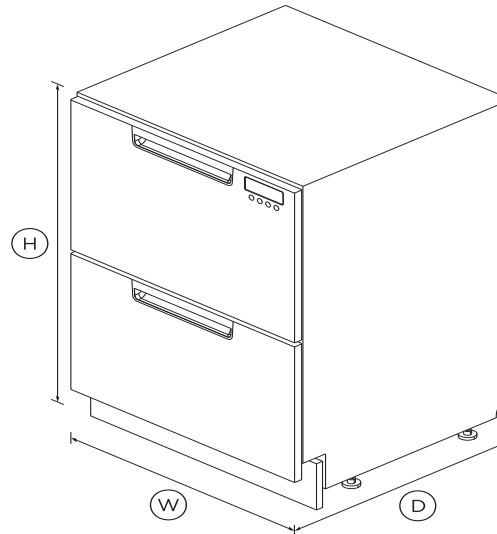


With a classic, clean white finish. Each drawer washes independently and fits a half load, so you can run one while you load the other.

- Six wash programs, as well as additional Quick wash, Sanitise and Extra Dry options
- Flexible racking can be folded down to fit bigger dishes

DIMENSIONS

| | |
|--------|-------------|
| Height | 820 - 880mm |
| Width | 599mm |
| Depth | 573mm |



FEATURES & BENEFITS

Ease of use

DishDrawer™ Dishwashers are as easy to open and close as kitchen drawers and can be conveniently positioned at bench height for ease of loading and minimal bending. Flexible racking allows you to make adjustments to fit in a variety of dishes.

Independent wash

With the ability to use both drawers independently and select different wash programs the DishDrawer™ Dishwasher can wash everything from fine glass and crystal to heavily soiled pots and

pans.

True half load

Each drawer holds a true half load for guilt-free small washes and fast turnaround of your dishes. Both drawers operate independently so different wash cycles can operate simultaneously to accommodate a variety of loads.

Designed to match

DishDrawer™ Dishwashers are designed to match the Fisher & Paykel family of kitchen appliances, with matching handles, premium styling and quality materials for a stylish finish in your kitchen.

Quick, Sanitise and Extra Dry options

The Quick wash modifier delivers a faster wash while maintaining performance. The Sanitise option provides extra protection killing 99.9% of bacteria in the final rinse. The Extra Dry setting is perfect for plastic dishes.

Quiet performer

Running at a very low decibel rating, these DishDrawer™ Dishwashers do their job without making a fuss. The combination of intelligent technology and simple mechanics means greater reliability and excellent wash performance.

SPECIFICATIONS

Accessories

- Cutlery basket
- Kickstrip
- Knife clip and multipurpose

Capacity and loading

- | | |
|-----------------------------|-------|
| Accommodates round plates | 280mm |
| Adjustable height, foldable | • |
| Fold down tines | • |

| | |
|---------------------------|----|
| Pitch adjustable tines | • |
| Place settings | 14 |
| Place settings per drawer | 7 |

| | |
|------------------|------------|
| Amperage | 10A |
| Supply frequency | 50Hz |
| Supply voltage | 220 - 240V |

SKU 82311

Consumption

| | |
|------------------------------|----------------------------|
| Energy rating | 3.5 star |
| Energy usage | 136kWh/year per drawer |
| In-use energy carbon | 88.6kgCO2e/year per drawer |
| Water consumption (per wash) | 6.9L per drawer |
| Water efficiency | 4.5 star (WELS) |

Product dimensions

| | |
|--------|-------------|
| Depth | 573mm |
| Height | 820 - 880mm |
| Width | 599mm |

The product dimensions and specifications in this page apply to the specific product and model. Under our policy of continuous improvement, these dimensions and specifications may change at any time. You should therefore check with Fisher & Paykel's Customer Care Centre to ensure this page correctly describes the model currently available. ? Fisher & Paykel Appliances Ltd 2020

Warranty

| | |
|------------------|---------|
| Parts and labour | 2 years |
|------------------|---------|

Controls

| | |
|-----------------------------|---|
| Electronic fault/Diagnostic | • |
| End of cycle beeps | • |
| Energy saving delay start | • |
| Keylock | • |
| Rinse aid indicator light | • |

Wash Program Modifiers

| | |
|----------------|---|
| Extra Dry | • |
| Quick | • |
| Sanitise | • |
| Wash modifiers | 3 |

Features

| | |
|------------------------|------|
| Fan assisted drying | • |
| Flood protection | • |
| Flow through detergent | • |
| Motor type | BLDC |
| Quiet operation | • |
| SmartDrive™ technology | • |

Wash Programs

| | |
|---------------|---|
| Delicate | • |
| Eco | • |
| Fast | • |
| Heavy | • |
| Medium | • |
| Rinse | • |
| Wash programs | 6 |

Performance

| | |
|-----------------------------|-------|
| Noise on standard cycle top | 42dBA |
|-----------------------------|-------|

Water connection

| | |
|----------------|---------------------------|
| Water pressure | 30kPa - 1000 kPa |
| Water supply | 3/4" BSP (20mm) Connector |

Power requirements

Other product downloads available at fisherpaykel.com

- [↓](#) Service & Warranty
- [↓](#) User Guide DishDrawer™ Dishwasher
- [↓](#) Wash Program Data ASNZS DishDrawer™ Dishwasher
- [↓](#) Energy and Water Label
- [↓](#) Installation Guide Double DishDrawer™ Dishwasher
- [↓](#) Installation Guide Double DishDrawer™ Dishwasher
- [↓](#) Installation Guide Double DishDrawer™ Dishwasher
- [↓](#) Specification Guide
- [↓](#) Data Sheet Double DishDrawer™ Dishwasher



A PEACE OF MIND SALE

24 Hours 7 Days a Week Customer Support

T 1300 650 590 **W** www.fisherpaykel.com