

36" Series 7 Integrated French Door Refrigerator Freezer, Ice

Integrated

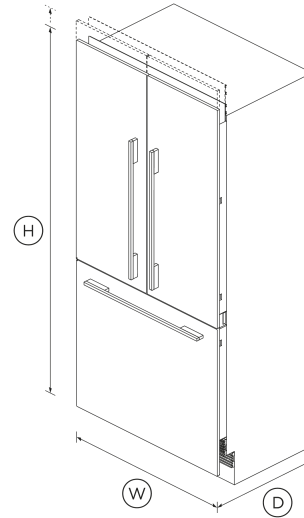


This large capacity refrigerator with bottom freezer seamlessly integrates into your kitchen, fitting flush into your cabinetry.

- ActiveSmart™ technology helps keep food fresher for longer by constantly maintaining the ideal temperature
- Customize with your own kitchen cabinetry or purchase our stainless steel door panel accessory
- Spacious bottom freezer with full extension drawer gives easy access to frozen goods
- Can be fitted for a height of 80 or 84 inches

DIMENSIONS

Height	79 13/16 "
Width	35 1/16 "
Depth	23 3/4 "



FEATURES & BENEFITS

ActiveSmart™ Foodcare

ActiveSmart™ Foodcare learns how you live. It's technology which understands how you use your refrigerator and adjusts temperature, airflow and humidity inside to help keep food fresher for longer.

Easy Installation

Our integrated products are easy to install, whether you are renovating your kitchen or designing a new one. Our refrigerators are designed for minimal gaps with adjustable front and rear feet to allow for uneven floors alongside adjustable door panels that can be customized to match your kitchen.

Design Quality

Our refrigerators are designed and built using quality materials. We use real stainless steel on our refrigerators and solid glass for shelving.

Ice maker

Fresh ice is always available for you in a dedicated freezer bin. Simply turn it off to free up freezer space or during busy times, you can boost ice production by up to 30%.

Easy Cleaning

No more permanent dirty marks with our EZKleen feature for stainless steel refrigerators. Anti-fingerprint coating means you simply wipe clean any marks. Spill-safe secure glass shelves easily capture any drips or leaks.

Simple storage

This refrigerator is designed to make it simple for you to store, access and remove food. Storage bins give you full access inside when they're pulled open and can be easily removed to clean. Our flexible shelving also gives you more storage options.

Humidity control

Your fruit and veges need different environments. The humidity control slides in each storage bin create a microclimate that helps keep food fresher for longer.

SPECIFICATIONS

Accessories (sold separately)

Door panel set stainless steel	RD3680A (80"") or RD3684A (84"")
Handle kit Classic	AHCLRD36A
Handle kit Contemporary round, aluminium	AHS-ASBI-A
Handle kit Contemporary square fine, aluminium	AHD5RD36A
Handle kit Contemporary square fine, black	AHD5RD36AB
Handle kit Professional round flush	AHP3RD36A
Water filter replacement	847200 - FWC3

Adjustable glass cantilevered shelves	•
Covered door shelves	2
Deli storage bins	1
Door alarm	•
Fruit and vegetable bins	2
LED lighting	•
Smart appliance	•
SmartTouch control panel	•
Stackable bottle holders	4

Rated current	10 A
Supply frequency	60 Hz
Supply voltage	115 V

Product dimensions

Depth	23 3/4 "
Height	79 13/16 "
Width	35 1/16 "

Capacity

Total gross capacity	16.8 cu ft
Volume	16.8 cu ft
Volume freezer	5.1 cu ft
Volume refrigerator	11.7 cu ft

Freezer Features

Automatic ice maker	•
Bottle chill	•
Door alarm	•
Fast freeze	•
Freezer bins	1
Ice Boost	•
LED Lighting	•
Slide Out Pastry Tray	•

SKU	26827
-----	-------

The product dimensions and specifications in this page apply to the specific product and model. Under our policy of continuous improvement, these dimensions and specifications may change at any time. You should therefore check with Fisher & Paykel's Customer Care Centre to ensure this page correctly describes the model currently available. © Fisher & Paykel Appliances Ltd 2020

Connected Features

Alerts and notifications	•
Education and onboarding	•
Remote operation	•
Software updates	•

Performance

ActiveSmart™ Foodcare	•
Adaptive defrost	•
Automatic defrost	•
Frost free freezer	•
Humidity control system	•
Sabbath mode	•

Other product downloads available at fisherpaykel.com

- [↓](#) DXF
- [↓](#) Archicad
- [↓](#) Data Sheet (English)
- [↓](#) DWG
- [↓](#) Energy Label
- [↓](#) Installation Guide (English)
- [↓](#) Installation Guide (Canadian French)
- [↓](#) Planning Guide (English)
- [↓](#) California Warning Proposition 65 (English, Spanish, Canadian French, Chinese)
- [↓](#) Revit

Consumption

Energy rating	Energy Star
Energy usage	561kWh/year

Features

Adjustable door shelves	6
-------------------------	----------

Power requirements

- ↓ Revit
- ↓ Rhino - 80" Door and Contemporary Round Handle
- ↓ Rhino - 80" Door and Contemporary Square Fine Black Handle
- ↓ Rhino - 80" Door and Contemporary Square Fine Handle
- ↓ Rhino - 80" Door and Contemporary Square Handle
- ↓ Rhino - 80" Door and Professional Round Flush Handle
- ↓ Rhino - 80" Door and Professional Round Handle
- ↓ Rhino - 80" Door and Professional Square Handle
- ↓ Rhino - 84" Door and Contemporary Round Handle
- ↓ Rhino - 84" Door and Contemporary Square Fine Black Handle
- ↓ Rhino - 84" Door and Contemporary Square Fine Handle
- ↓ Rhino - 84" Door and Contemporary Square Handle
- ↓ Rhino - 84" Door and Custom Panel
- ↓ Rhino - 84" Door and Professional Round Flush Handle
- ↓ Rhino - 84" Door and Professional Round Handle
- ↓ Rhino - 84" Door and Professional Square Handle
- ↓ Rhino - Custom Panel
- ↓ Right To Repair Declaration (English, Canadian French)
- ↓ SketchUp - 80" Door and Professional Round Flush Handle
- ↓ SketchUp - 84" Door and Professional Round Flush Handle
- ↓ SketchUp - 80" Door and Contemporary Round Handle
- ↓ SketchUp - 80" Door and Contemporary Square Fine Black Handle
- ↓ SketchUp - 80" Door and Contemporary Square Fine Handle
- ↓ SketchUp - 80" Door and Contemporary Square Handle
- ↓ SketchUp - 80" Door and Professional Round Handle
- ↓ SketchUp - 80" Door and Professional Square Handle
- ↓ SketchUp - 84" Door and Contemporary Round Handle
- ↓ SketchUp - 84" Door and Contemporary Square Fine Black Handle
- ↓ SketchUp - 84" Door and Contemporary Square Fine Handle
- ↓ SketchUp - 84" Door and Contemporary Square Handle
- ↓ SketchUp - 84" Door and Custom Panel
- ↓ SketchUp - 84" Door and Professional Round Handle
- ↓ SketchUp - 84" Door and Professional Square Handle

- ↓ SketchUp - Custom Panel
- ↓ SketchUp
- ↓ User Guide (English)
- ↓ User Guide (Canadian French)

Where applicable:

All appliances use energy, and energy usage typically generates carbon emissions. **Fisher & Paykel Appliances' In-use Energy Carbon Emissions Estimate** indicates carbon emissions from a product's in-use energy. This is calculated either annually or per cycle, using the product's market-specific energy label energy consumption data multiplied by the carbon emissions factor for energy in your country or region.

Our In-use Energy Carbon Emissions Estimate is designed to assist customers in making informed purchasing decisions when comparing different Fisher & Paykel products. For example, a heat pump dryer typically has a lower In-use Energy Carbon Emissions Estimate than a vented dryer.



A PEACE OF MIND SALE
24 Hours 7 Days a Week Customer Support
 T 1.888.936.7872 [Wwww.fisherpaykel.com](http://www.fisherpaykel.com)