

FISHER & PAYKEL

FREESTANDING COOKER

OR36SDI6 & OR36SCI6

Induction models

INSTALLATION GUIDE

US CA

591509D 10.19

CONTENTS

Safety and warnings	3
Parts supplied for installation	5
Tools needed for installation (not supplied with the appliance)	5
Model identification	6
Prior to installation	6
Product dimensions	7
Clearance dimensions	8
Fitting the optional backguard	9
Location of electrical supply	9
Ventilation requirements	10
Fitting the adjustable feet	11
Moving the range	12
Installing the anti-tip bracket	13
Electrical connection	15
Final checklist	17

⚠ WARNING!



Electric Shock Hazard

Failure to follow this advice may result in electric shock or death.

- Before carrying out any work on the electrical section of the appliance, it must be disconnected from the mains electricity supply.
- Connection to a good earth wiring system is absolutely essential and mandatory.
- Alterations to the domestic wiring system must only be made by a qualified electrician.

⚠ WARNING!

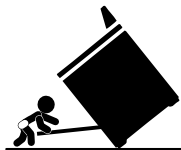


Cut Hazard

Failure to use caution could result in injury.

- Take care: some edges are sharp.

⚠ WARNING!



Tip-Over Hazard

Failure to follow these instructions can result in death or serious burns to children and adults.

A child or adult can tip the range and be killed.

- Install anti-tip device to range and/or structure per installation instructions.
- Engage the range to the anti-tip device installed to the structure.
- Re-engage anti-tip device if range is moved.

SAFETY AND WARNINGS

WARNING!

To avoid hazard, follow these instructions carefully before installing or using this appliance.

- Save these instructions for the local inspectors use.
- Please make this information available to the person installing the appliance—doing so could reduce your installation costs.
- This range is to be installed and connected to the electricity supply only by an authorized person.
- If the installation requires alterations to the domestic electrical system, call a qualified electrician. The electrician should also check that the socket cable section is suitable for the electricity drawn by the range.
- Service should only be done by authorized technicians. Technicians must disconnect the power supply before servicing this appliance.
- The range must be grounded.
- Installation must comply with your local building and electricity regulations.
- This appliance must be installed and connected to the mains power supply only by a suitably qualified person according to these installation instructions and in compliance with any applicable local building and electricity regulations.
- The manufacturer accepts no responsibility for the incorrect installation of appliances. Incorrect installation may result in personal injury, damage to property and may invalidate any warranty or liability claims
- Do not modify this appliance.
- Do not use or store flammable materials on or near this appliance
- If the power supply cable is damaged, it must be replaced by the manufacturer, its service agent or similarly qualified person in order to avoid a hazard.
- A circuit breaker is recommended.
- Do not use adaptors, reducers or branching devices to connect the oven to the mains electricity supply, as they can cause overheating and burning.
- Improper installation, adjustment alteration, service or maintenance can cause property damage, injury or death. Read the installation, operating and maintenance instructions thoroughly before using, installing or servicing this appliance.
- The appliance must not be installed behind a decorative door in order to avoid overheating.
- A risk of the appliance tipping over exists if the appliance is not installed in accordance with installation instructions.
- DO NOT obstruct the flow of ventilation air to the appliance. Be sure a fresh air supply is available.
- Check local building codes for the proper method of range installation. Local codes vary.
- Installation, electrical connections, and grounding must comply with all applicable codes.
- In the absence of local codes, the range should be installed in accordance with the latest edition of National Electrical Code ANSI/NFPA 70.
- In Canada: Electrical installation must be in accordance with the current CSA C22.1 Canadian Electrical Codes Part 1 and/or local codes.

- Some models are supplied with a protective film on steel and aluminum parts. This film must be removed before installing/using the appliance.
- Packing elements (eg plastic bags, polystyrene foam, staples, packing straps etc) and tools should not be left around during and after installation, especially if they are within easy reach of children, as these may cause serious injuries.
- Make sure you recycle the packaging material.
- Before disposing of any appliance, make sure that it can no longer be used and that all hazardous parts are removed or made harmless, so that children playing with the old appliance cannot harm themselves.

GENERAL INSTALLATION INFORMATION

Cleaning and servicing

- Service should only be performed by an authorized/qualified technician.
- Disconnect the electrical supply to the appliance before servicing.
- When removing appliance for cleaning and/or service:
 - Disconnect AC power supply.
 - Carefully remove the range by pulling outward.
 - The misuse of oven door (eg stepping, sitting, or leaning on them) can result in potential hazards and/or injuries.
 - When installing or removing the range for service, a rolling lift jack should be used. Do not push against any of the edges of the range in an attempt to slide it into or out of the installation. Pushing or pulling a range (rather than using a lift jack) also increases the possibility of bending the leg spindles or the internal coupling connectors.

IMPORTANT!

- Range is heavy; use care in handling.
- Do not lift the range by the oven door handle or hob rail, or by lifting the cooktop trim as this may damage the appliance.

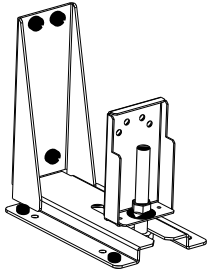
Replacement parts

Only authorized replacement parts may be used in performing service on the range. Replacement parts are available from factory authorized parts distributors. Contact the nearest parts distributor in your area.

IMPORTANT! SAVE THESE INSTRUCTIONS

The models shown in this installation guide may not be available in all markets and are subject to change at any time. For current details about model and specification availability in your country, please go to our website www.fisherpaykel.com or contact your local Fisher & Paykel dealer.

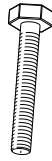
PARTS SUPPLIED FOR INSTALLATION



Anti-tip bracket (1)



Small screws and washers (2)



Bolt (1)



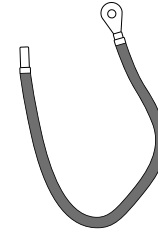
Threaded nuts (2)



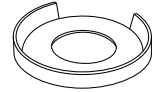
Wood screws (8)



Screws and plastic sleeve anchors (8)



Ground lead* (3 wire permanent connection)



Cupped washer* (4 wire permanent connection)

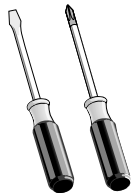
*Can be used in US only, for Canada it is mandatory to connect the range by using cordset with plug supplied.

TOOLS NEEDED FOR INSTALLATION (NOT SUPPLIED WITH THE APPLIANCE)

IMPORTANT!

THIS APPLIANCE MUST BE INSTALLED BY A QUALIFIED INSTALLER.

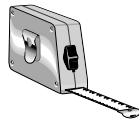
- Improper installation, adjustment, alteration, services, or maintenance can cause injury or property damage. Consult a qualified installer or the service agent.
- The use of suitable protective clothing/gloves is recommended when handling or installing this appliance.



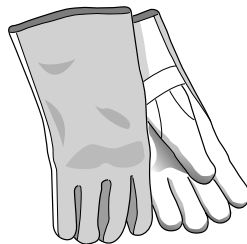
Screwdriver



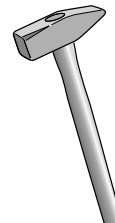
Pencil



Tape measure



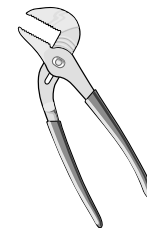
Suitable protective gloves



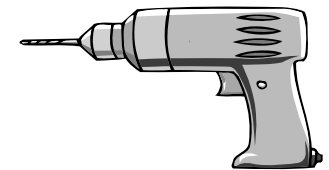
Hammer



Adjustable wrench



Adjustable pliers



Drill

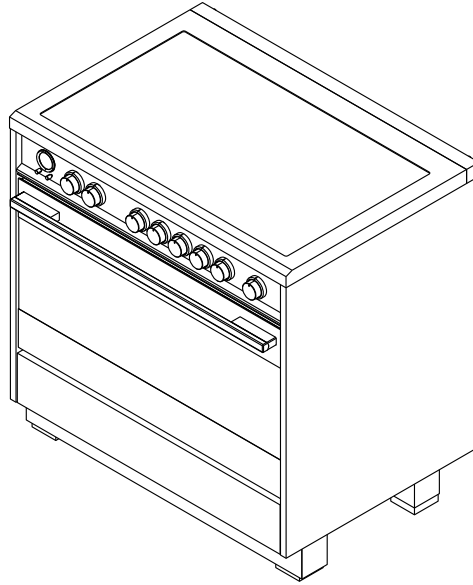
MODEL IDENTIFICATION

Model features may vary

36" Induction models

OR36SDI6

OR36SCI6



PRIOR TO INSTALLATION

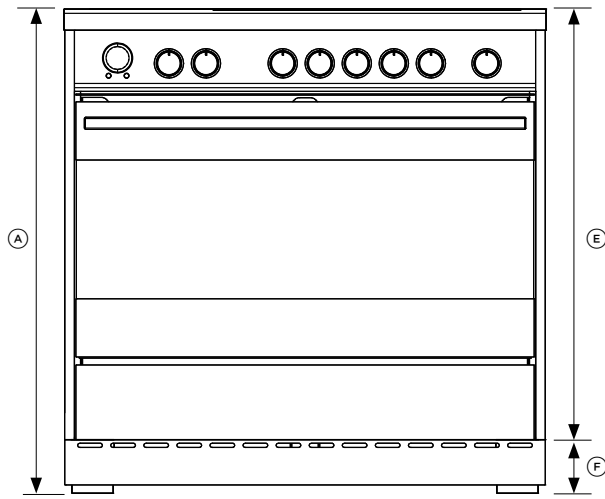
Unpacking and handling

- Inspect the range to verify that there is no shipping damage. If any damage is detected, call the shipper and initiate a damage claim. Fisher & Paykel is not responsible for shipping damage.
- DO NOT discard any packing material until the range has been inspected.
- Remove the outer carton and any packing material from the range. Some models are supplied with a protective film on steel and aluminum parts. This film must be removed before installing or using the appliance.

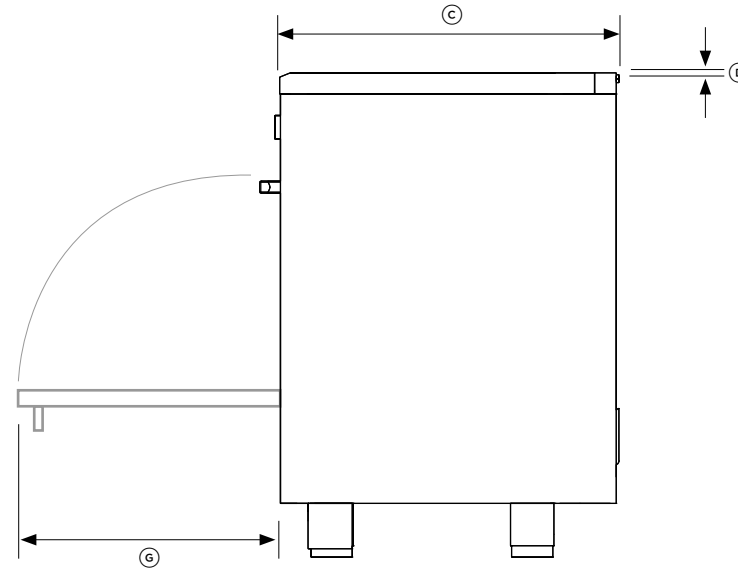
PRODUCT DIMENSIONS

Model features may vary.

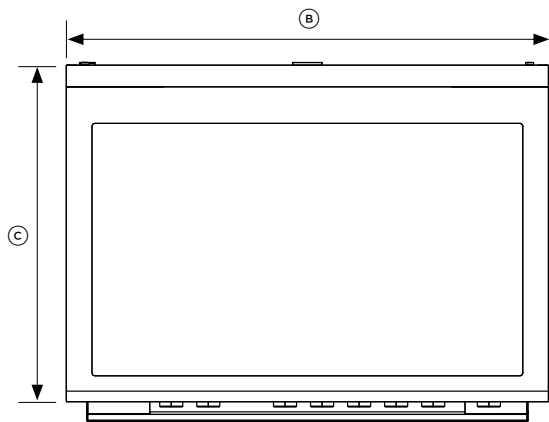
Optional kickstrip shown is available (purchased separately).



FRONT



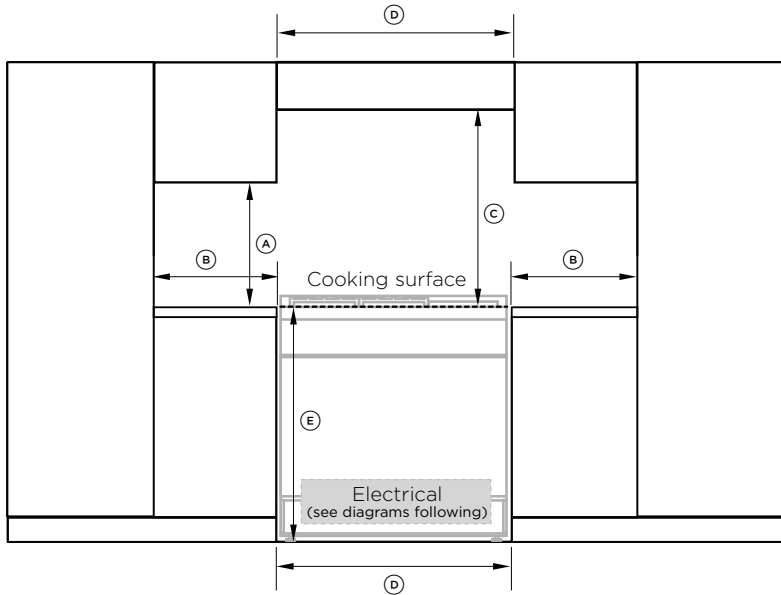
PROFILE



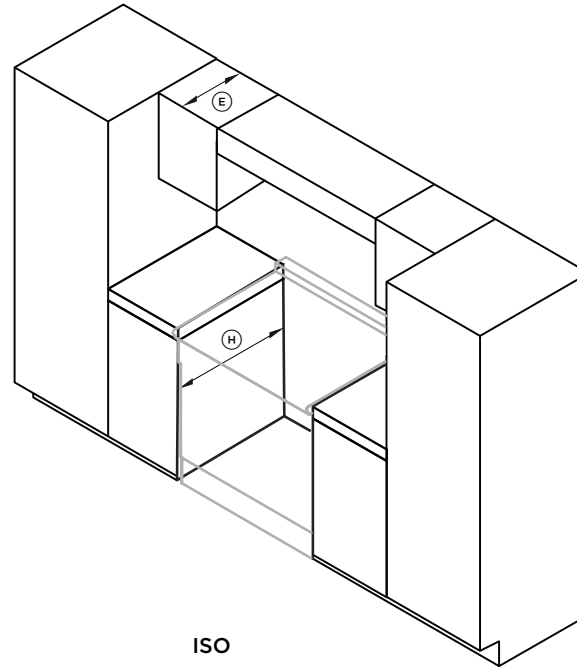
PLAN

PRODUCT DIMENSIONS	OR36SDI / OR36SCI	
	INCHES	MM
(A) Overall height of range (from floor to top of cooktop, excl. optional backguard)	min 35 3/8 max 37 1/4	min 898 max 946
(B) Overall width of range	35 7/8	911
(C) Overall depth of range (from front of range to rear of island trim/backguard, excl. handles and dials)	25 1/4	641
(D) Height from top of cooktop to top of <ul style="list-style-type: none"> • Island trim (fitted) • Backguard (optional) 	Level with cooktop 3	Level with cooktop 76
(E) Height of chassis (excluding adjustable feet)	32	813
(F) Adjustable feet height	min 3 3/8 max 5 1/4	min 85 max 133
(G) Depth of open door to front of range	17 3/4	451

CLEARANCE DIMENSIONS



FRONT



ISO

Note #1

To eliminate the risk of burns or fire by reaching over heated surface units, cabinet storage space located above the surface units should be avoided. If cabinet storage is to be provided, the risk can be reduced by installing a rangehood that projects horizontally a minimum of 5" (127mm) beyond the bottom of the cabinets.

Note #2

Ⓧ = 30" (762mm) minimum clearance between the top of the cooking surface and the bottom of an unprotected wood or metal cabinet; or
 Ⓧ = 24" (610mm) minimum when bottom of wood or metal cabinet is protected by not less than 1/4"-thick flame retardant millboard covered with not less than No. 28 MSG sheet steel, 0.015"-thick stainless steel, 0.024"-thick aluminum, or 0.020"-thick copper.

Note

- This range may be installed directly adjacent to existing 36" (914mm) high base cabinets.
- If the range is to be placed adjacent to cabinets, the clearances shown are required. The same clearances apply to island installations.
- The range can be placed in various positions with respect to the cabinet front, with the control panel either flush or projecting, depending on the cabinetry depth.
- The electrical supply should be within the zones shown in the following diagrams.
- Any openings in the wall behind the range and in the floor under the range must be sealed.
- Always keep the appliance area clear and free from combustible materials, gasoline and other flammable vapors and liquids.
- Do not obstruct the flow of ventilation air to the unit.

CLEARANCE DIMENSIONS

	OR36SDI / OR36SCI	
	INCHES	MM
Ⓐ Minimum width of ventilation hood installed above range	36	914
Ⓑ Minimum vertical distance between countertop and cabinet extending above counter	18	457
Ⓒ Minimum clearance from left and right edge of range to nearest vertical combustible surface	2	50
Ⓓ Minimum clearance from cooking surface to:		
• Overhead cabinet centered above the cooktop (combustible/unprotected) (see notes #1, #2)	30	762
• Overhead cabinet centered above the cooktop (non-combustible/protected) (see notes #1, #2)	24	610
• Ventilation hood** centered above the cooking surface	24	610
Ⓔ Maximum depth of overhead cabinetry	13	330
Ⓕ Width of cabinetry opening	36	914
Ⓖ Maximum height of cabinetry immediately adjacent to the range (from floor to countertop)*	37 1/4	946
Ⓗ Maximum depth from wall to cabinetry face	25 1/4	641

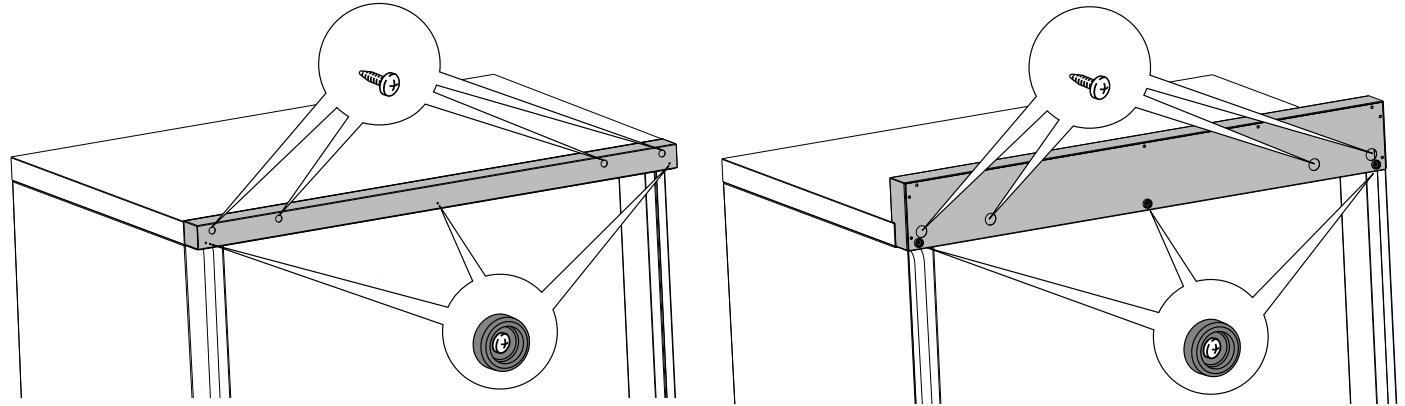
*Depending on the height of the feet adjustment. The cooking surface must sit flush or above countertop level.

**Refer to local/national codes for ventilation requirements.

FITTING THE OPTIONAL BACKGUARD

Island trim and backguard

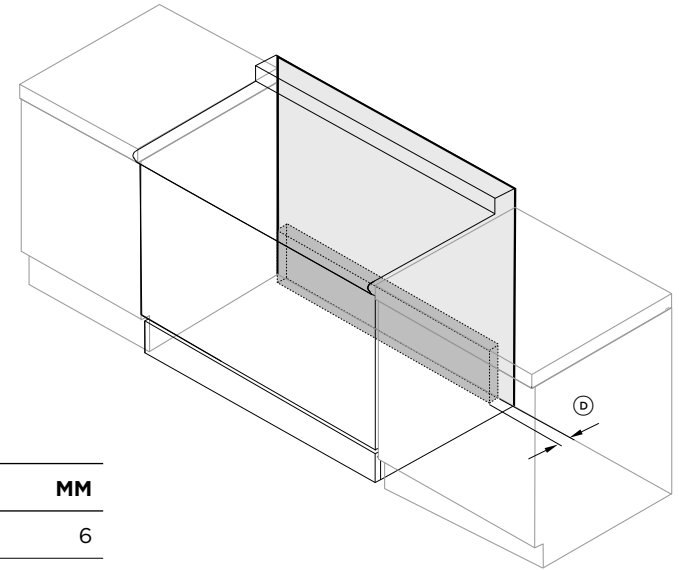
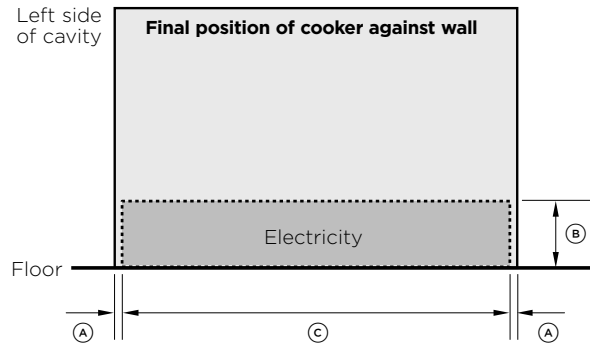
- It is mandatory to install and use the range with either the island trim or the optional backguard correctly in place.
- The island trim is already fitted to the range while the backguard can be purchased as a separate kit.
- If replacing the island trim with the backguard, assemble it by using the same screws/spacers used for fixing the island trim.



LOCATION OF ELECTRICAL SUPPLY

Grounded outlet

The electric cord with 4-prong ground plug (NEMA 14-50P) shall have a minimum length of 48" (1220mm) beyond the back of the range.



SUPPLY AREA DIMENSIONS

	INCHES	MM
Ⓐ Distance from either edge of Range to supply area	1/4	6
Ⓑ Height of electrical supply area (from floor)	8 1/8-10 1/8	207-257
Ⓒ Width of electrical supply areas	35 3/8	899
Ⓓ Depth of supply area (ie maximum protrusion of electrical connection from wall)	4 1/2	115

VENTILATION REQUIREMENTS

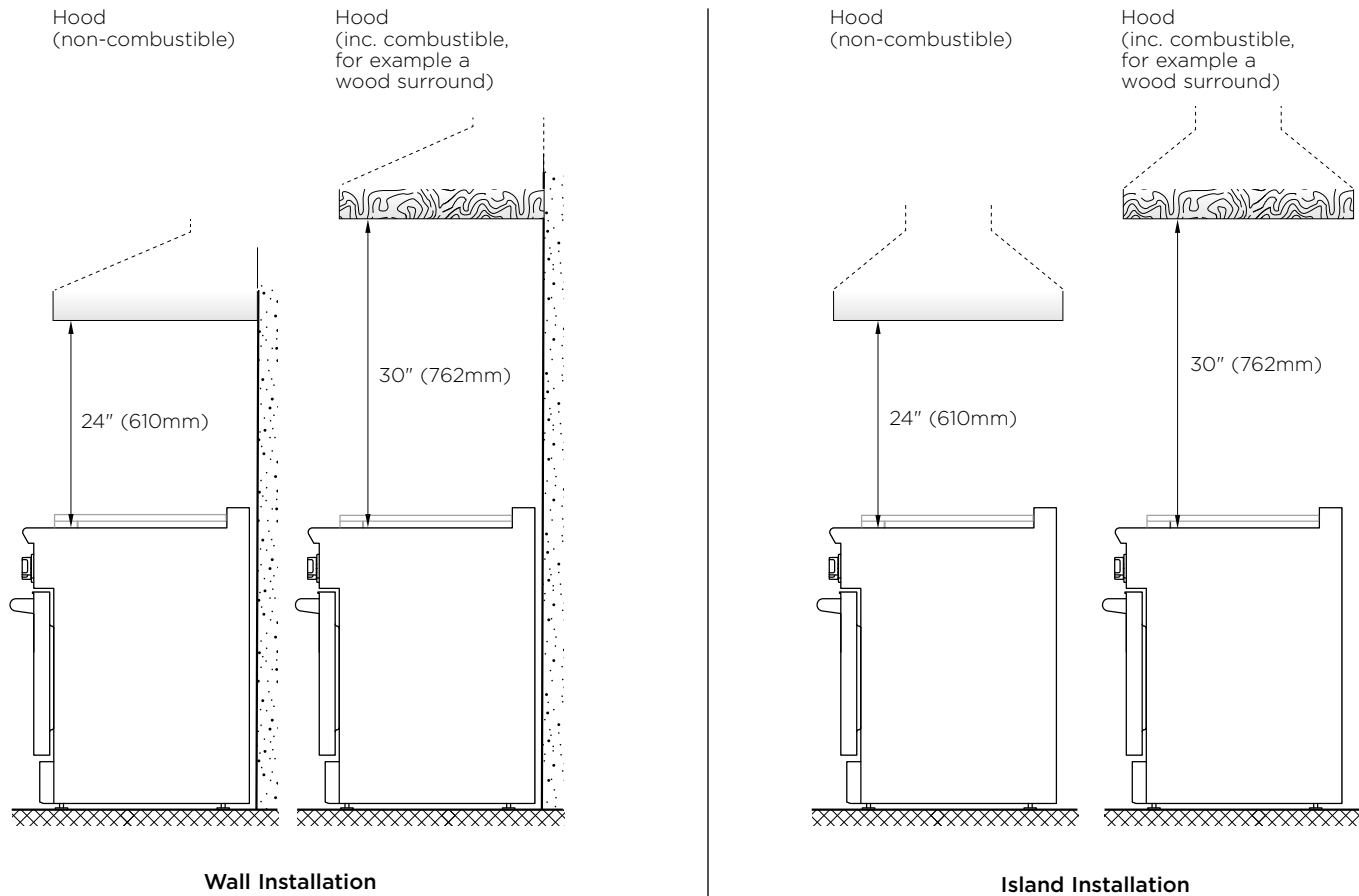
A suitable ventilation hood may be installed above the range.

Fisher & Paykel has a choice of ventilation hoods designed to match the rest of our kitchen appliance family.

See fisherpaykel.com or your local dealer for more details.

IMPORTANT

- Consult local building codes and/or local agencies, before starting, to ensure that hood and duct installation will meet local requirements.
- Hood blower speeds should be variable to reduce noise and loss of heated or air conditioned household air when maximum ventilation is not required. Normally, the maximum blower speed is only required when grilling or using the self-cleaning cycle.
- If a custom hood canopy contains any combustible materials (eg a wood covering) it must be a minimum of 30" (762mm) above the cooking surface.
- Due to a high volume of ventilation air, a source of make-up air (outside replacement air) that complies with local codes and regulations is required.



FITTING THE ADJUSTABLE FEET

Fitting the adjustable feet

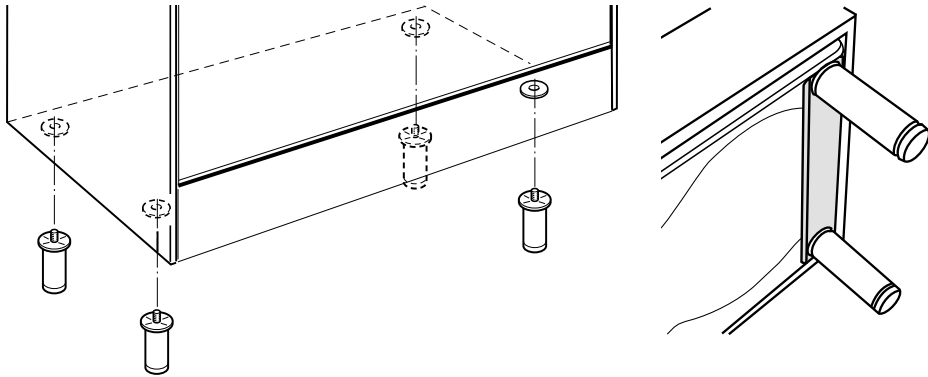
The adjustable feet must be fitted to the base of the range before use.

Rest the rear of the range on a piece of the polystyrene packaging exposing the base for the fitting of the feet.

IMPORTANT

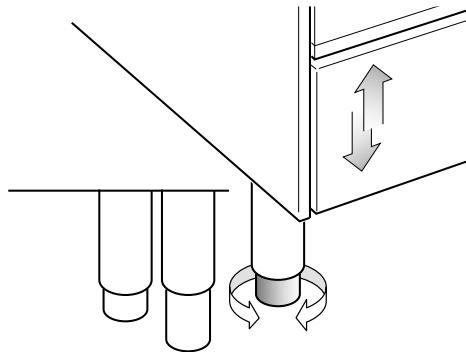
Take care not to damage the range during this operation.

Fit the four legs by screwing them tight into the support base as shown.



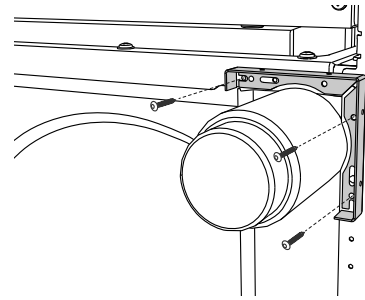
Levelling the range

- The range may be levelled by screwing the lower ends of the feet IN or OUT.
- Small adjustments may be made to the range in the upright position, however it may be necessary to tip the range again to make larger adjustments.

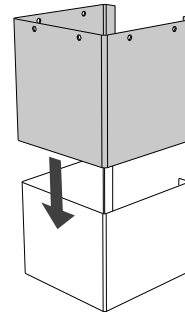


Fitting the adjustable (front) feet covers (optional)

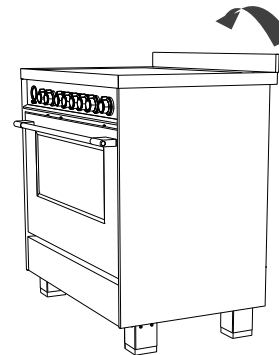
If using the adjustable feet covers fit these while the range is tipped over.



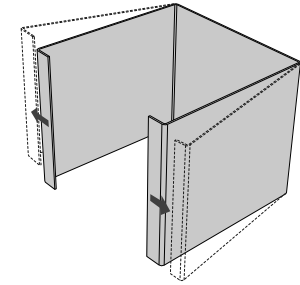
- ① Tip range onto its back and fix brackets to mounting holes.



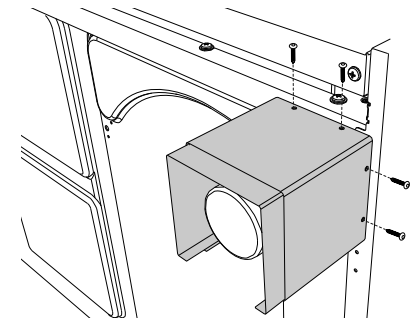
- ③ Slot the outer panels over the tensioned inner panels.



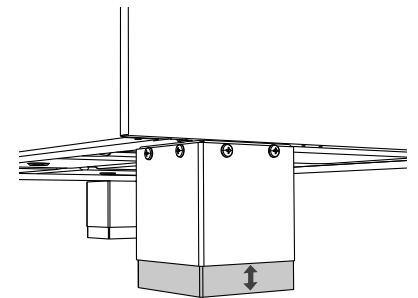
- ⑤ Stand range back upright.



- ② Gently bend the sides of the inner panels outwards to tension.



- ④ Secure covers to brackets using the provided screws.

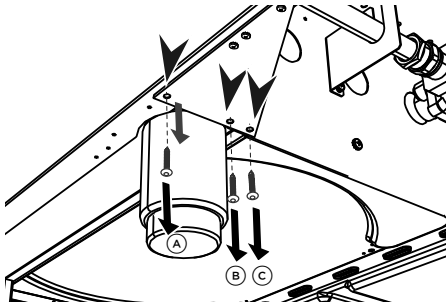


- ⑥ Adjust the inner panels of the foot covers to suit height of range feet.

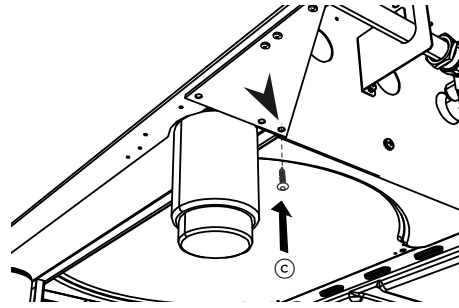
FITTING THE ADJUSTABLE FEET

Fitting the adjustable (rear) feet covers (optional)

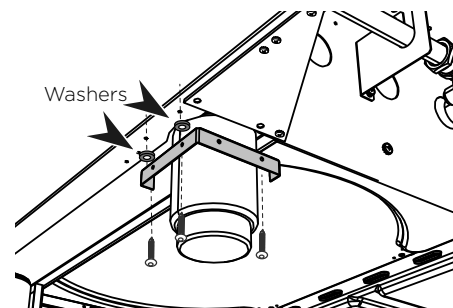
If installing rear feet covers use the following instructions to attach the mounting brackets to the base of the range.



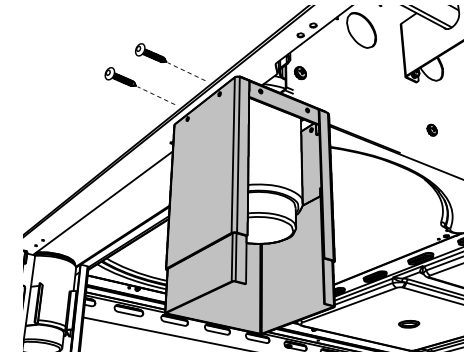
- 1 Remove screws A, B and C from the plate on the base of the range.



- 2 Replace screw C with one of the screws supplied with the feet covers.
 - This screw must be replaced before attaching the mounting bracket to the base of the range.



- 3 Attach the mounting bracket to the base of the range using the supplied screws.
 - Ensure the two supplied washers are fitted between the rear edge of the bracket and the base of the range (as shown).

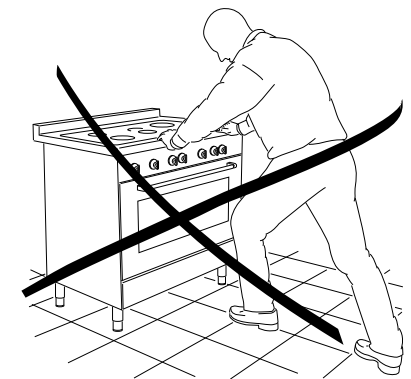
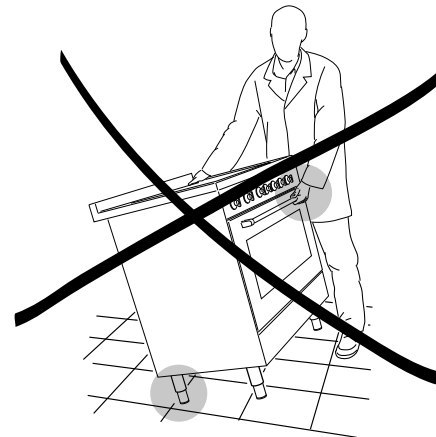
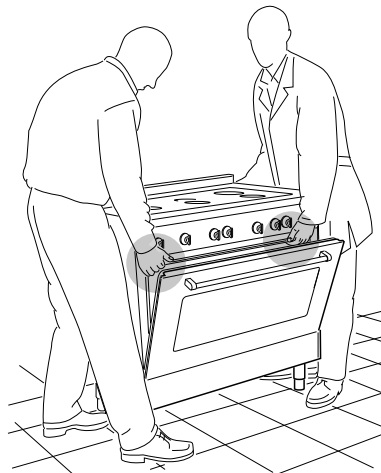


- 4 Secure covers to brackets using the provided screws.

MOVING THE RANGE

IMPORTANT!

- When raising the range to upright position always ensure two people carry out this manoeuvre to prevent damage to the adjustable feet.
- **BE CAREFUL:** do not lift the range by the oven door handle, the hob rail or the cooktop trim as this may damage the appliance.
- When moving range to its final position **DO NOT DRAG**. Lift feet clear of floor.



INSTALLING THE ANTI-TIP BRACKET

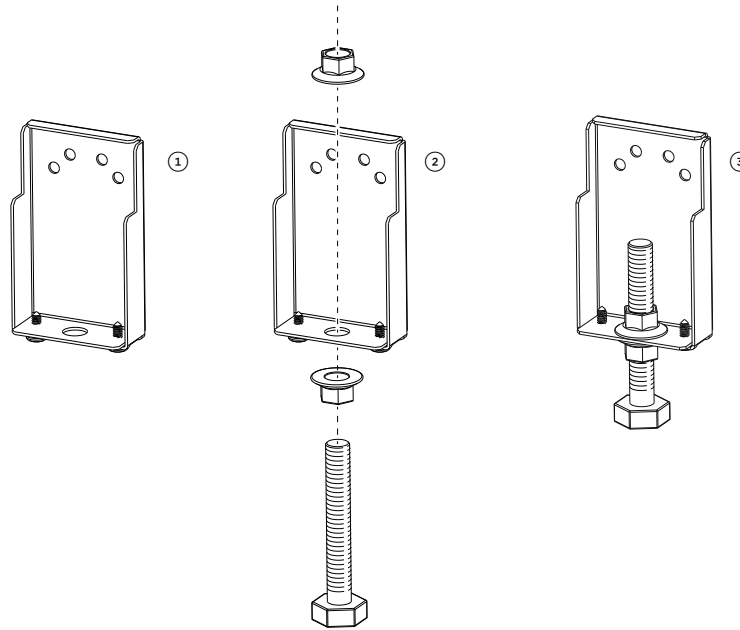
The anti-tip bracket has two components:

- the adjustable bracket
- the stability bracket

IMPORTANT!

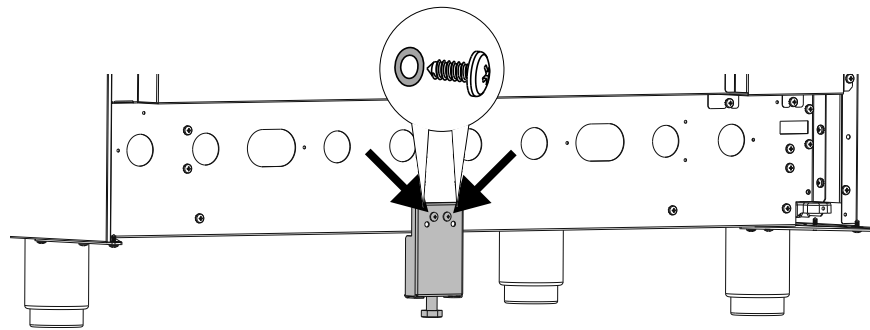
You must install both parts of the anti-tip bracket and ensure they are properly fitted together to prevent the range from tipping.

Fit the anti-tip bracket



- ① Thread the bolt through the adjustable bracket and fix in place using the two supplied nuts. Ensure the nuts are well tightened.

- ② Fix the adjustable bracket to the back of the range (centered on the lower edge) using the two supplied screws and washers.

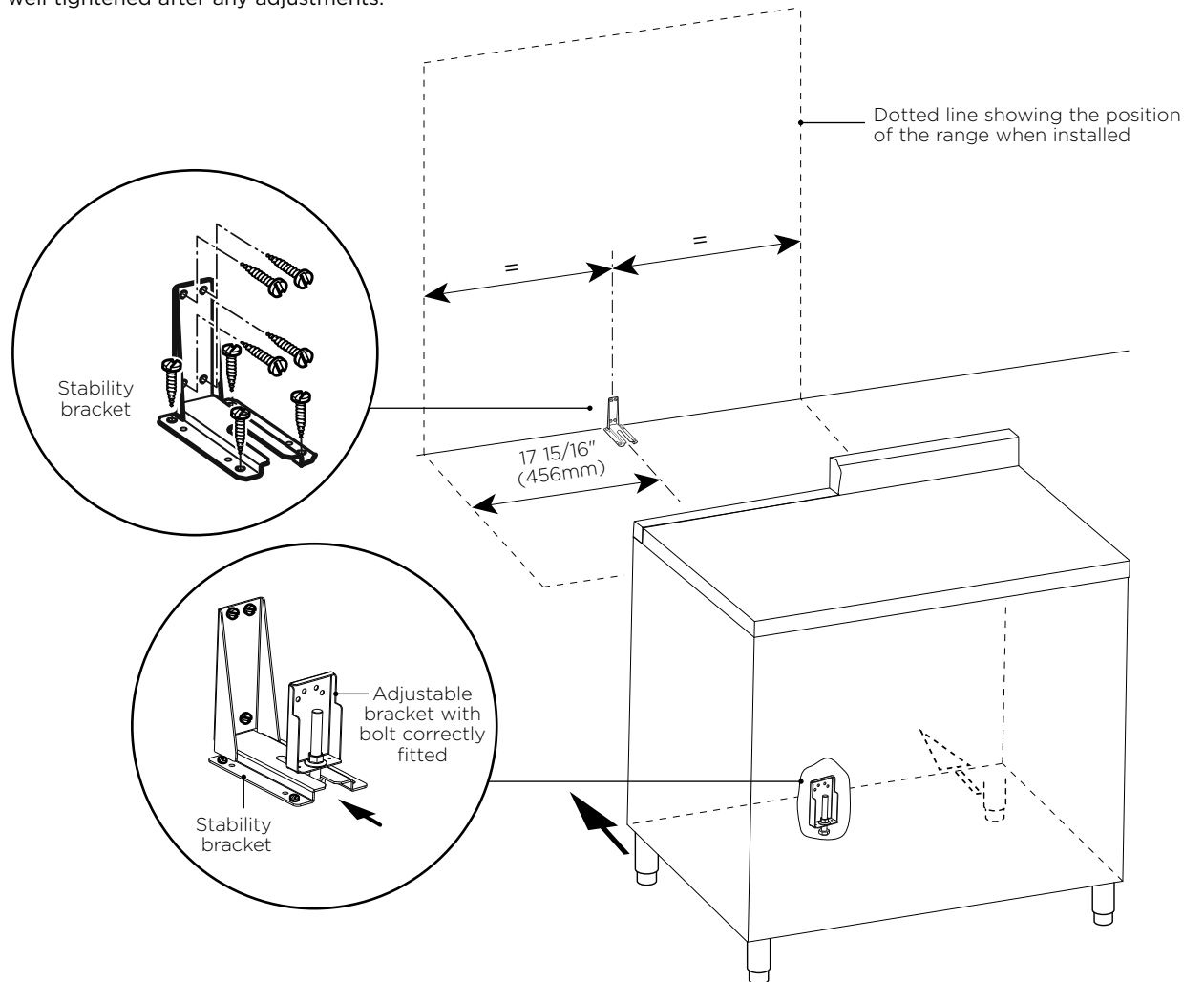


INSTALLING THE ANTI-TIP BRACKET

IMPORTANT!

- Use the proper screws to fix the stability bracket in place according to the type of material on the floor and/or wall.
- Before drilling and holes or inserting any screws into the floor or wall check that you will not damage any wiring or pipes.

- ③ Fix the stability bracket in place. It can be fixed as follows:
- To the floor OR on the rear wall by #4 screws (supplied).
 - To the floor AND on the rear wall by #8 screws (supplied).
 - There are 8 x wood screws and 8 x screws with plastic sleeve anchors supplied with the range in two separate kits. Use the proper screws according to the type of material on the floor and/or wall.
 - If using the the plastic sleeve anchors: drill 5/16" (8mm) diameter holes and insert the supplied plastic sleeve anchors before attaching the stability bracket with the screws.
- ④ Slide the range into place, ensuring the bolt on the adjustable bracket slots under the stability bracket.
- Adjust the length of the bolt as necessary. Ensure the two nuts are well tightened after any adjustments.



ELECTRICAL CONNECTION

⚠ WARNING!



Electrical Shock Hazard

Failure to follow these instructions can result in death, fire, or electrical shock.

Electrically ground range.

⚠ WARNING! VERY IMPORTANT

To avoid electrical shock hazard, before installing the appliance, switch power OFF at the service panel and lock the panel to prevent the power from being switched on accidentally.

IMPORTANT!

This range must be connected to the electricity supply only by an authorised person.

Your range is supplied with a certified 4 prong NEMA 14-50P power cord for your protection against shock hazard and should be plugged directly into a properly grounded socket.

- Do not under any circumstances cut or remove the fourth (ground) prong from the power plug.
- Do not ground to a gas pipe.
- Do not have a fuse in the neutral or ground circuit.
- Do not use an extension cord.

Check with a qualified electrical installer if you are not sure if the range is properly grounded.

- If codes permit, and a separate ground wire is used, it is recommended that a qualified electrical technician determines the ground path and wire gauge are in accordance with local codes.

Be sure that the electrical connection and wire size are adequate and in conformance with:

- ANSI/NFPA 70 latest addition and local codes and ordinances.
- CSA standard C22.1, Canadian Electrical Code, Part 1— latest edition and local codes and ordinances.

When a 4-wire, two phase 120/240V or 120/208V 60Hz AC only electrical supply is available a 50 amp maximum circuit protection is required, fused on both sides of the line.

Replacing the power cord

- Replacements should only be made by qualified electrical technicians.
- If replacing the power cord, use only a suitable UL or CSA approved one.
- Tighten the power cord using the power cord strain relief bracket supplied with the appliance.
- Allow enough slack to easily attach the cord terminals to the terminal block.

VOLTAGE AND POWER CONSUMPTION*

AC 120/208 V 60 Hz 11600 W Max 55.5 A Max

AC 120/240 V 60 Hz 15500 W Max 64 A Max

Induction power = 11100 W Max

NEC CALCULATED LOAD

40A*

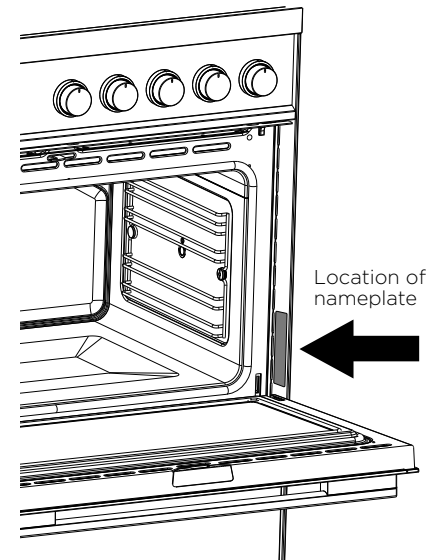
40A*

*The NEC calculated load is less than the total connected load listed on the rating label.

Standard NEMA 14-50R wall receptacle



Power supply cord with NEMA 14-50P plug



Location of nameplate

ELECTRICAL CONNECTION

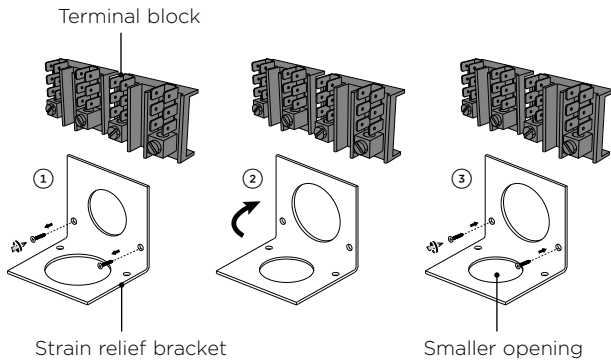
PERMANENT CONNECTION (HARD WIRING)

US only, for Canada it is mandatory to connect the range by using cordset with plug supplied.

Units may be hard wired to the power supply. The installer must provide approved flexible aluminium conduit, 3/4" (19mm) trade size, maximum 6ft (1.8m) long. Locate the terminal block on the rear of the unit and remove access cover.

The strain relief bracket orientation must be switched in order to accommodate for a permanent wiring connection:

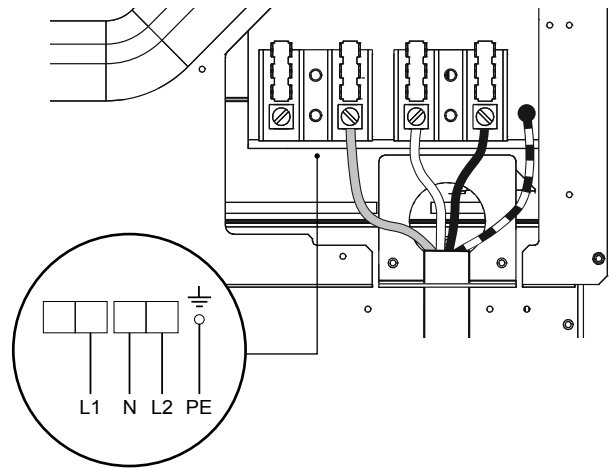
- ① Remove the factory supplied power cord with plug.
- ② Remove the 2 screws on the bracket.
- ③ Re-secure bracket with the 2 screws so that the 1 1/8" (29mm) smaller opening is facing down.



- The conduit must be installed to the terminal block using an approved conduit connector. The free end of the conduit must be connected to a junction box provided in the electrical supply zone.
- Mount a strain relief (not provided) into the 1 1/8" (29mm) diameter hole located below the terminal block. Wiring for the unit is to be brought into the terminal block through the conduit and through the strain relief. Make suitable connections to the terminal block provided.
- **Installer — Show the owner the location of the circuit breaker. Mark it for easy reference.**

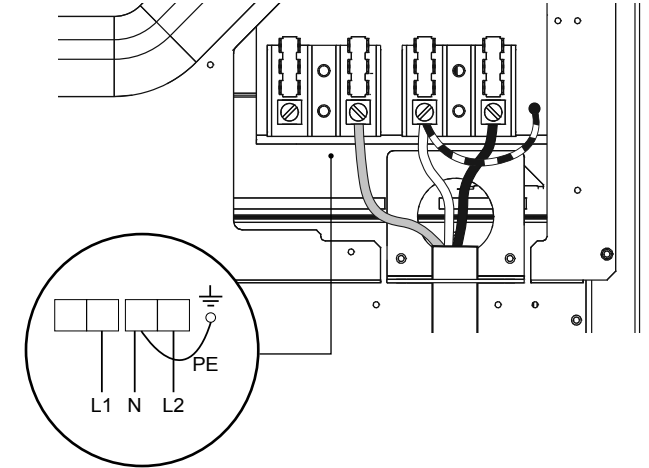
4-Wire Connection

- ① Loosen the L1 (red), L2 (black) and neutral (white) screws.
- ② Mount the conduit fitting to the 1 1/8" (29mm) hole in the strain relief bracket.
- ③ Secure the neutral (white) power lead to the center terminal and tighten the screw.
- ④ Secure the L1 (red) and the L2 (black) power leads to the terminals immediately to the left (L1) and right (L2) of the neutral terminal. Tighten the screws.
- ⑤ Secure the Ground (green) lead to the green screw located to the right of the terminal block using the supplied cupped washer. The end of the grounding conductor must be retained by the cupped washer.
- ⑥ Check all connections are securely tightened.
- ⑦ Reinstall the Terminal Block cover.



3-Wire Connection (using supplied Ground lead)

- ① Loosen the L1 (red), L2 (black) and neutral (white) screws.
- ② Mount the conduit fitting to the 1 1/8" (29mm) hole in the strain relief bracket.
- ③ Secure the supplied Ground (green) lead to the grounding screw to the right of the terminal block.
- ④ Secure the Neutral (white) power lead together with the free end of the Ground (green) lead to the center terminal. Tighten the screw.
- ⑤ Secure the L1 (red) and the L2 (black) power leads to the terminals immediately to the left (L1) and right (L2) of the neutral terminal. Tighten the screws.
- ⑥ Check all connections are securely tightened.
- ⑦ Reinstall the Terminal Block cover.



FINAL CHECKLIST

TO BE COMPLETED BY THE INSTALLER

GENERAL

- Placement of unit.
- Specified clearance maintained to cabinet surfaces.
- Unit Level—front to back, side to side.
- All packaging material and tie straps removed.
- Island trim or optional backguard correctly attached.
- The anti-tip bracket is correctly installed.

ELECTRICAL

- Adequate ground connection.

OPERATION

- All internal packing materials removed. Check inside the oven.
- Dials turn correctly and freely.
- Oven and cooktop displays are functioning correctly and oven and cooking zones can be turned on.
- Oven door hinges seated and door opens and closes properly.

Complete and keep for safe reference:

Model _____

Serial No. _____

Purchase Date _____

Purchaser _____

Dealer Address _____

Installer's Name _____

Installer's Signature _____

Installation Company _____

Installation Date _____

FISHERPAYKEL.COM

Copyright © Fisher & Paykel Appliances 2019. All rights reserved.
The product specifications in this document apply to the specific products and models described at the date of issue. Under our policy of continuous product improvement, these specifications may change at any time. You should therefore check with your Dealer to ensure this document correctly describes the product currently available.

F I S H E R & P A Y K E L

CUISINIÈRE NON ENCASTRÉE

Modèles à induction OR36SDI & OR36SCI

GUIDE D'INSTALLATION

US CA

591509D 10.19

TABLE DES MATIÈRES

Consignes de sécurité et mises en garde	3
Pièces fournies pour l'installation	5
Outils requis pour l'installation (non fournis avec l'appareil)	5
Identification du modèle	6
Avant l'installation	6
Dimensions du produit	7
Dimensions de dégagement	8
Installation du dossier en option	9
Emplacement de l'alimentation en électricité	9
Exigences relatives à la ventilation	10
Installation des pattes ajustables	11
Déplacement de la cuisinière	12
Installation du support antibasculement	13
Raccordement électrique	15
Liste de vérification finale	17

⚠ MISE EN GARDE!



Risque de choc électrique

Le non-respect de cette consigne peut entraîner un choc électrique ou la mort.

- Avant de procéder à tout travail sur la section électrique de l'appareil, vous devez déconnecter celui-ci de l'alimentation électrique.
- La connexion à un système de mise à la terre convenable est absolument essentielle et obligatoire.
- Les modifications au système de câblage domestique doivent être effectuées uniquement par un électricien qualifié.

⚠ MISE EN GARDE!

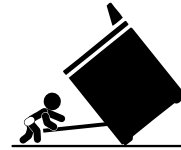


Risque de coupure

Des blessures ou des coupures peuvent survenir si vous ne faites pas preuve de prudence.

- Attention, certains bords sont tranchants.

⚠ MISE EN GARDE!



Risque de basculement

Le non-respect de ces instructions peut entraîner la mort ou des brûlures graves chez les enfants et les adultes.

Un enfant ou un adulte peut faire basculer la cuisinière et être tué.

- Installer le dispositif anti-basculement sur la portée et/ou la structure par installation instructions.
- Engager la portée sur l'anti-bascule installé sur le structure.
- Réengager le dispositif anti-basculement si la cuisinière est déplacée.

MISE EN GARDE!

- Conservez ces instructions pour permettre aux inspecteurs locaux de les consulter.
- Pour réduire les risques de danger, suivez attentivement ces instructions avant d'installer ou utiliser cet appareil.
- Remettez ces instructions à la personne qui installera l'appareil; cela pourrait réduire vos coûts d'installation.
- Cette cuisinière doit être installée et raccordée à l'alimentation électrique uniquement par un technicien autorisé.
- Si l'installation nécessite des modifications au système électrique domestique, appelez un électricien qualifié. L'électricien doit également vérifier que la section du câble connecteur convient à la consommation de courant électrique de la cuisinière.
- Les travaux d'entretien ou de réparation doivent être effectués uniquement par des techniciens autorisés. Les techniciens doivent déconnecter l'alimentation électrique avant d'effectuer un entretien ou une réparation.
- La cuisinière doit être mise à la terre.
- L'installation doit être conforme aux règlements de construction et codes d'électricité locaux.
- Cet appareil doit être installé et raccordé à l'alimentation électrique uniquement par une personne qualifiée, conformément à ces instructions d'installation et en respectant tous les règlements de construction et codes d'électricité locaux en vigueur.
- Le fabricant décline toute responsabilité en cas d'installation incorrecte des appareils. Une installation incorrecte pourrait causer des blessures, provoquer des dommages matériels et entraîner l'annulation de toute garantie ou réclamation.
- Ne modifiez pas cet appareil.
- Ne rangez et n'utilisez pas de matières inflammables sur cet appareil ou à proximité de celui-ci.
- Si le câble d'alimentation électrique est endommagé, vous devez le faire remplacer par le fabricant, un agent de service ou une personne possédant des compétences similaires afin d'éviter tout danger.
- Un disjoncteur est recommandé.
- N'utilisez pas d'adaptateurs, de raccords réducteurs ou de dispositifs de branchement pour raccorder le four à l'alimentation électrique, car ils pourraient causer une surchauffe et des brûlures.
- Les travaux d'installation, de modification, de maintenance ou d'entretien incorrects peuvent causer des dommages matériels, des blessures ou la mort. Lisez attentivement les instructions d'installation, d'utilisation et d'entretien avant d'utiliser, installer ou effectuer l'entretien de cet appareil.
- L'appareil ne doit pas être installé derrière une porte décorative pour éviter une surchauffe.
- L'appareil pourrait basculer s'il n'est pas installé conformément aux instructions d'installation.
- N'obstruez PAS la circulation d'air de combustion ou de ventilation de l'appareil. Veillez à ce qu'une alimentation en air frais soit disponible.
- Consultez les codes locaux du bâtiment pour connaître la méthode d'installation appropriée de la cuisinière. Les codes locaux peuvent varier.
- L'installation, les raccordements électriques et la mise à la terre doivent être conformes à tous les codes applicables.

- En l'absence de codes locaux, la cuisinière doit être installée conformément à la dernière édition du Code national de l'électricité ANSI/NFPA 70.
- Au Canada : L'installation électrique doit être effectuée en conformité avec la norme CSA C22.1 en vigueur du Code canadien de l'électricité, Première partie, et/ou les codes locaux.
- Certains modèles sont livrés avec une pellicule protectrice sur les pièces en aluminium et en acier.
- Retirez cette pellicule avant d'installer/utiliser l'appareil.
- Les éléments d'emballage (ex. : sacs en plastique, mousse de polystyrène, agrafes, courroies, etc.) et outils ne doivent pas être laissés à proximité pendant et après l'installation, plus particulièrement s'ils sont à la portée des enfants, car ils pourraient causer des blessures graves.
- Assurez-vous de recycler les matériaux d'emballage.
- Avant de mettre un appareil au rebut, veillez à ce qu'il ne soit plus fonctionnel et assurez-vous de retirer ou rendre inoffensives toutes les pièces dangereuses, de façon à ce que les enfants ne puissent pas se blesser en jouant avec cet appareil.

INFORMATIONS D'INSTALLATION GÉNÉRALES

Nettoyage et entretien

- Les travaux d'entretien ou de réparation doivent être effectués uniquement par un technicien autorisé/qualifié.
- Déconnectez l'alimentation électrique de l'appareil avant de procéder à l'entretien.
- Lors du retrait de l'appareil pour le nettoyage et/ou l'entretien :
 - Débranchez l'alimentation électrique CA.
 - Retirez doucement la cuisinière en la tirant vers l'extérieur.
 - L'utilisation inappropriée de la porte du four (p. ex. : monter, s'asseoir ou s'appuyer sur celle-ci) peut entraîner des risques potentiels et/ou des blessures.
 - Lors de l'installation ou du retrait de la cuisinière pour une réparation, utilisez un cric de levage à roulettes.
Ne poussez pas sur l'un des rebords de la cuisinière pour tenter de la glisser vers l'emplacement d'installation ou hors de celui-ci. Le fait de pousser ou tirer une cuisinière (plutôt que d'utiliser un cric de levage) augmente également la possibilité de plier les axes de pattes ou les connecteurs d'accouplement internes.

IMPORTANT!

- La cuisinière est lourde; faites preuve de prudence lors du déplacement.
- Ne soulevez pas la cuisinière par la poignée de porte du four ou le rail, ou en saisissant la garniture de la surface de cuisson, car cela pourrait endommager l'appareil.

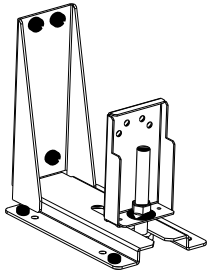
Pièces de remplacement

Utilisez uniquement des pièces de remplacement autorisées pour effectuer l'entretien ou les réparations de la cuisinière. Des pièces de remplacement sont disponibles auprès de distributeurs de pièces autorisés par le fabricant. Contactez un distributeur de pièces dans votre région.

IMPORTANT! CONSERVEZ CES INSTRUCTIONS

Les modèles illustrés dans ce guide d'installation peuvent ne pas être disponibles dans tous les pays et sont sujets à modifications sans préavis. Pour les plus récentes informations sur la disponibilité des modèles et des caractéristiques dans votre pays, veuillez visiter notre site Web fisherpaykel.com ou contacter votre détaillant Fisher & Paykel local.

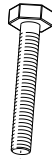
PIÈCES FOURNIES POUR L'INSTALLATION



Anti-tip bracket
(1)



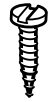
Petites vis et rondelles
(2)



Boulon
(1)



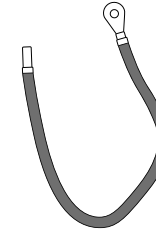
Écrous filetés
(2)



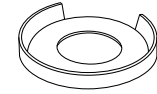
Vis à bois
(8)



Vis et chevilles à
douille en plastique
(8)



Fil de masse*
(Connexion permanente
à 3 fils)



Rondelle creuse*
(Connexion permanente
à 4 fils)

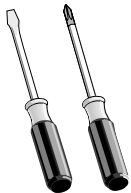
* Peut être utilisé uniquement en US, pour le Canada, il est obligatoire de connecter la cuisinière en utilisant le cordon avec la fiche fournie.

OUTILS REQUIS POUR L'INSTALLATION (NON FOURNIS AVEC L'APPAREIL)

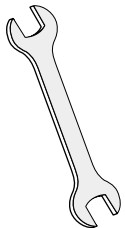
IMPORTANT!

CET APPAREIL DOIT ÊTRE INSTALLÉ PAR UN INSTALLATEUR QUALIFIÉ.

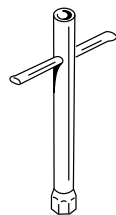
- L'installation, les réglages, les modifications, l'entretien ou les réparations peuvent être la cause de blessures corporelles ou de dommages matériels. Consultez un installateur, un agent de service ou un fournisseur de gaz qualifié.
- L'utilisation de gants et vêtements de protection est recommandée lors de la manutention ou l'installation de cet appareil.



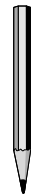
Tournevis



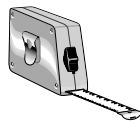
2 - Clé



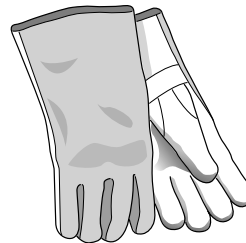
Clé à
poignée en T



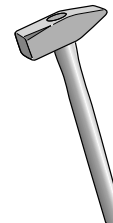
Crayon



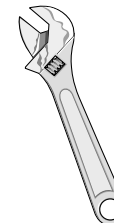
Ruban à
mesurer



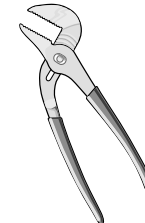
Gants de
protection



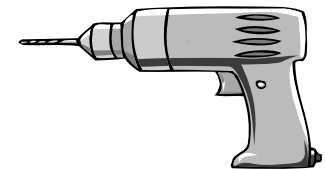
Marteau



Clé ajustable



Pincettes
ajustables



Perceuse

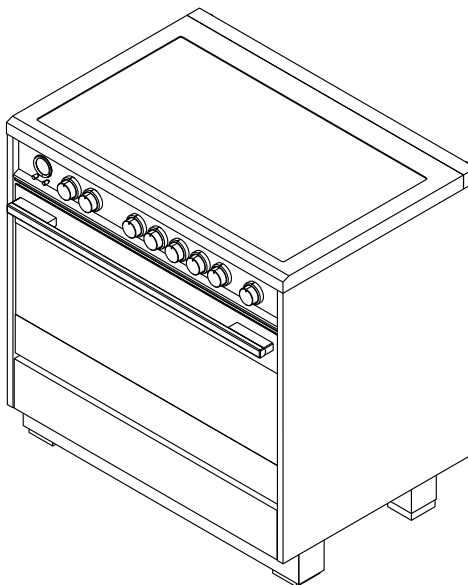
IDENTIFICATION DU MODÈLE

Les caractéristiques du modèle peuvent varier.

Modèles à Induction 36"

OR36SDI6

OR36SCI6



AVANT L'INSTALLATION

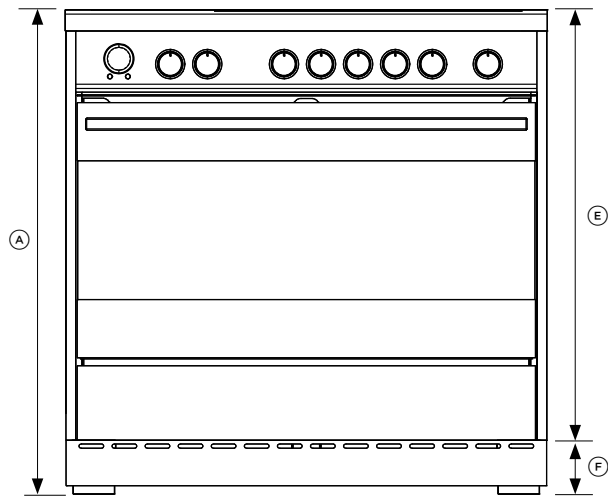
Déballage et manutention

- Inspectez la cuisinière pour vous assurer qu'aucun dommage n'a été causé lors de l'expédition. En cas de dommage, communiquez avec l'expéditeur pour effectuer une demande d'indemnisation. Fisher & Paykel n'est pas responsable des dommages causés lors de l'expédition.
- NE mettez PAS au rebut les matériaux d'emballage avant d'avoir terminé l'inspection de la cuisinière.
- Retirez la boîte extérieure et tous les matériaux d'emballage de la cuisinière. Certains modèles sont livrés avec une pellicule protectrice sur les pièces en aluminium et en acier. Retirez cette pellicule avant d'installer ou d'utiliser l'appareil.

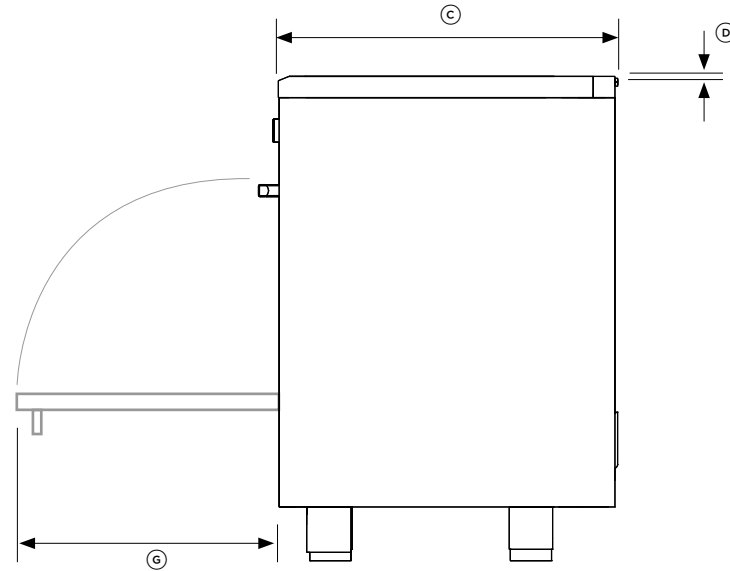
DIMENSIONS DU PRODUIT

Les caractéristiques du modèle peuvent varier.

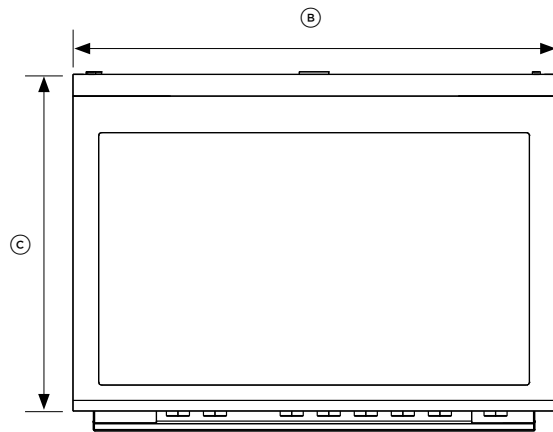
Kickstrip en option est disponible (acheté séparément).



AVANT



CÔTÉ

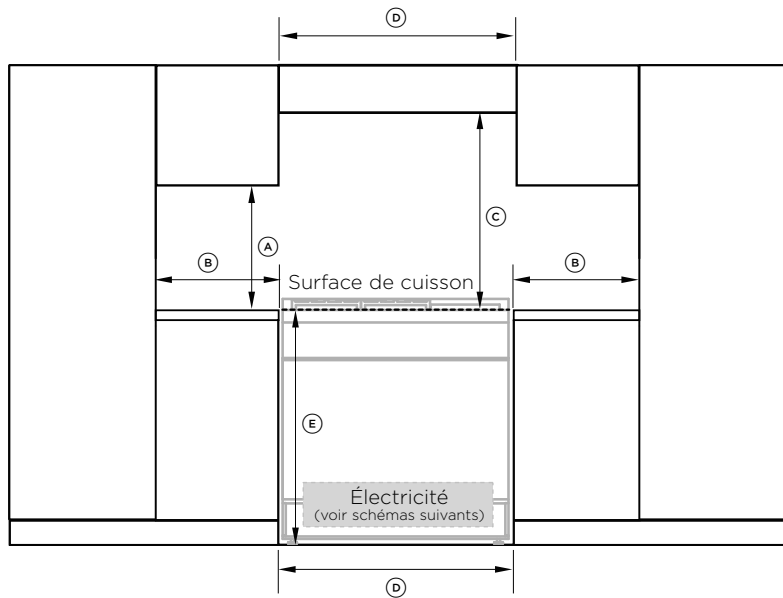


DESSUS

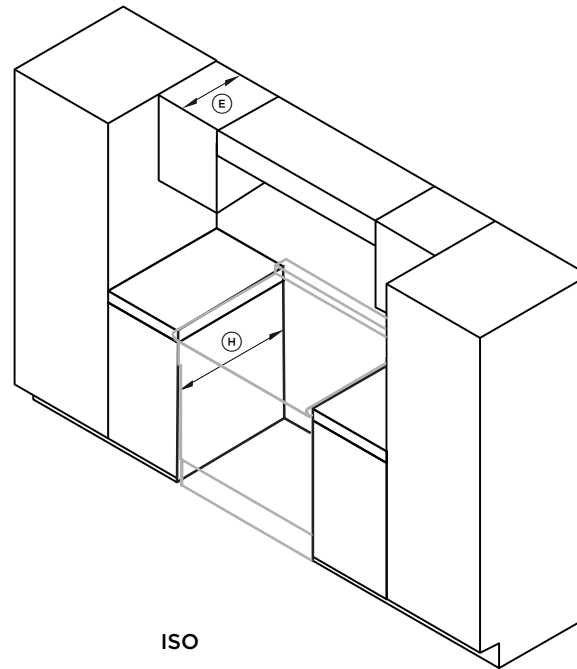
DIMENSIONS DU PRODUIT

	OR36SDI / OR36SCI	
	POUCES	MM
Ⓐ Hauteur hors tout de la cuisinière (du sol à la surface de cuisson, excluant le dosseret en option)	min 35 3/8 max 37 1/4	min 898 max 946
Ⓑ Largeur hors tout de la cuisinière	35 7/8	911
Ⓒ Profondeur hors tout de la cuisinière (du devant de la cuisinière jusqu'à l'arrière de la garniture d'îlot/du dosseret, excluant les poignées et les boutons)	25 1/4	641
Ⓓ Hauteur entre le dessus de la surface de cuisson et le dessus <ul style="list-style-type: none"> • De la garniture d'îlot (installée) • Du dosseret (en option) 	Au même niveau que la surface de cuisson 3	Au même niveau que la surface de cuisson 76
Ⓔ Hauteur du châssis (à l'exclusion des pieds réglables)	32	813
Ⓕ Hauteur des pattes ajustables	min 3 3/8 max 5 1/4	min 85 max 133
Ⓖ Profondeur de la porte ouverte jusqu'au panneau de commande avant	17 3/4	451

DIMENSIONS DE DÉGAGEMENT



AVANT



ISO

Remarque N° 1

Pour réduire les risques de brûlure ou d'incendie, évitez de ranger des objets dans les armoires situées au-dessus des éléments de surface. Si toutefois vous devez ranger des objets dans ces armoires, réduisez les risques en installant une hotte dont la partie saillante horizontale dépasse la partie inférieure des armoires suspendues d'au moins 5" (127 mm).

Remarque N° 2

Un dégagement minimal $\text{D} = 30''$ (762 mm) entre le dessus de la surface de cuisson et le dessous d'une armoire non protégée en métal ou bois; ou un dégagement minimal $\text{D} = 24''$ (610 mm) lorsque le dessous de l'armoire en métal ou bois est protégé par un panneau de celloderme ignifuge d'au moins $\frac{1}{4}''$ (6 mm) d'épaisseur, recouvert d'une tôle d'acier n° 28 MSG (minimum), d'acier inoxydable de 0,015" (0,4 mm), d'aluminium de 0,024" (0,6 mm) ou de cuivre de 0,020" (0,5 mm).

DIMENSIONS DE DÉGAGEMENT

	OR36SDI / OR36SCI	
	POUCES	MM
(A) Largeur minimale de la hotte de ventilation installée au-dessus de la cuisinière	36	914
(B) Distance verticale minimale entre le comptoir et une armoire au-dessus du comptoir	18	457
(C) Dégagement minimal entre les côtés gauche et droit de la cuisinière et la surface combustible verticale la plus proche	2	50
(D) Dégagement minimal entre la surface de cuisson et : • les armoires suspendues centrées au-dessus de la surface de cuisson (combustibles/non protégées) – voir remarques N° 1 et 2 • les armoires suspendues centrées au-dessus de la surface de cuisson (incombustibles/protégées) – voir remarques N° 1 et 2 • une hotte de ventilation** centrée au-dessus de la surface de cuisson	30 24 24	762 610 610
(E) Profondeur maximale des armoires suspendues	13	330
(F) Largeur de l'ouverture entre les armoires	36	914
(G) Hauteur maximale des armoires immédiatement adjacentes à la cuisinière (du sol au comptoir)*	37 1/4	946
(H) Profondeur maximale, du mur jusqu'au devant des armoires	25 1/4	641

* Selon la hauteur de l'ajustement des pieds. La surface de cuisson doit être encastrée ou au-dessus du niveau du comptoir.

** Reportez-vous aux codes locaux/nationaux pour les exigences de ventilation.

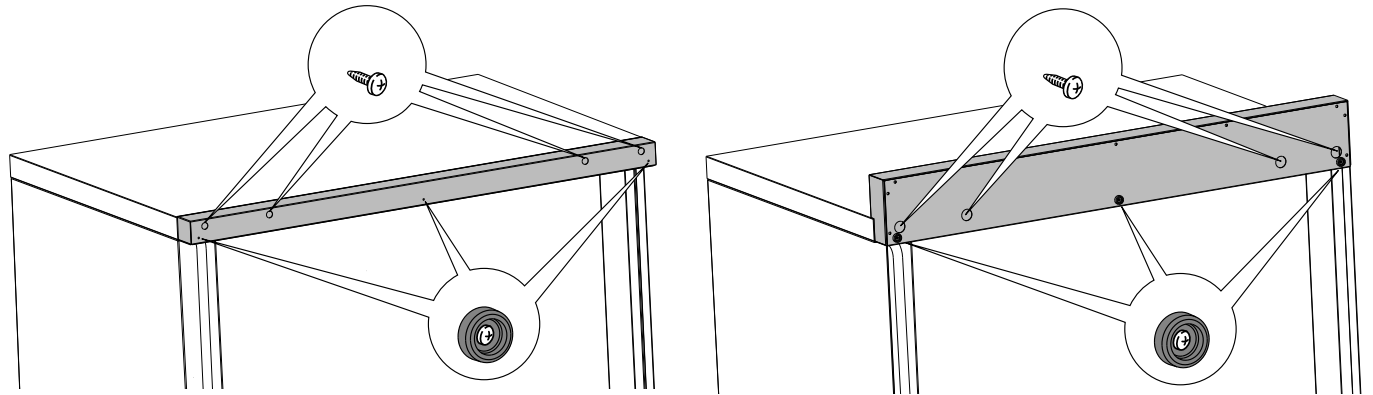
Remarque

- Cette cuisinière peut être installée directement à côté d'armoires de base d'une hauteur de 36" (914 mm).
- Si la cuisinière doit être placée à côté d'armoires, respectez les mesures de dégagement indiquées. Les mêmes mesures de dégagement s'appliquent aux installations en îlot.
- La cuisinière peut être placée de diverses façons par rapport au devant de l'armoire, avec le panneau de commande au même niveau ou en saillie, selon la profondeur des armoires.
- L'alimentation en électricité doit se trouver dans les zones indiquées sur les schémas suivants.
- Toute ouverture dans le mur derrière la cuisinière et dans le plancher sous celle-ci doit être scellée.
- Gardez toujours la zone à proximité de l'appareil dégagée et exempte de matériaux combustibles, d'essence et d'autres liquides et vapeurs inflammables.
- N'obstruez pas la circulation d'air de ventilation de l'appareil.

INSTALLATION DU DOSSERET EN OPTION

Garniture d'îlot et dossieret

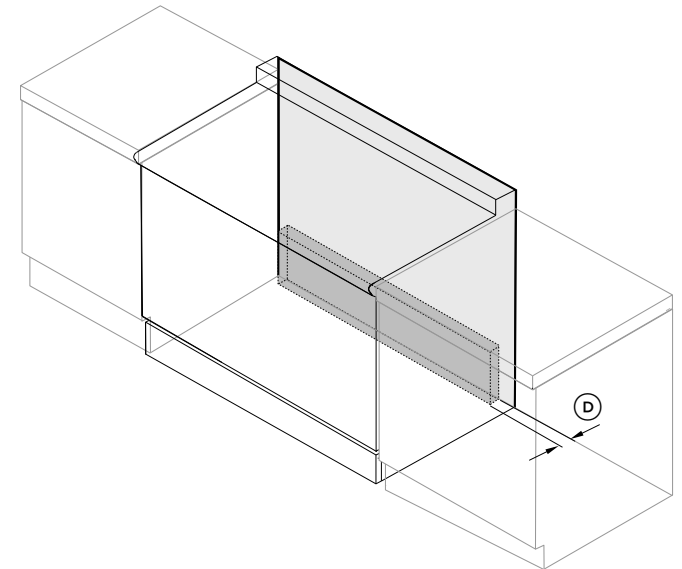
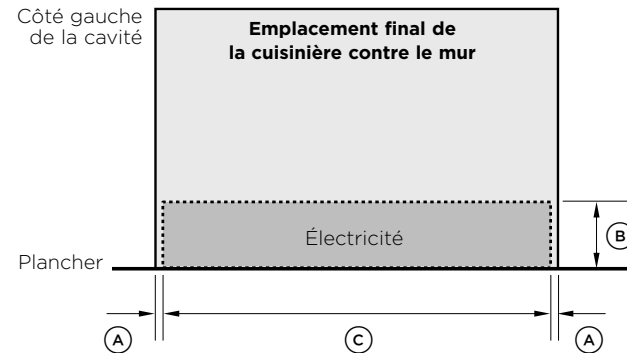
- Il est obligatoire d'installer et utiliser la cuisinière avec la garniture d'îlot ou le dossieret en option correctement installé.
- La garniture d'îlot est déjà installée sur la cuisinière; l'ensemble de dossieret peut être acheté séparément.
- Si vous remplacez la garniture d'îlot par le dossieret, effectuez l'assemblage à l'aide des mêmes vis/espaceurs utilisés pour la fixation de la garniture d'îlot.



EMPLACEMENT DE L'ALIMENTATION EN ÉLECTRICITÉ

Prise avec mise à la terre

Le cordon électrique avec fiche à 4 broches avec mise à la terre (NEMA 14-50P) doit présenter une longueur minimale de 48" (1 220 mm) depuis l'arrière de l'appareil.



DIMENSIONS DES ZONES D'ALIMENTATION

	POUCES	MM
Ⓐ Distance entre les côtés de la cuisinière et la zone d'alimentation	1/4	6
Ⓑ Hauteur de la zone d'alimentation en électricité (à partir du sol)	8 1/8-10 1/8	207-257
Ⓒ Largeur des zones d'alimentation en électricité	35 3/8	899
Ⓓ Profondeur de la zone d'alimentation (c.-à-d. protubérance maximale pour le raccordement d'électricité à partir du mur)	4 1/2	115

EXIGENCES RELATIVES À LA VENTILATION

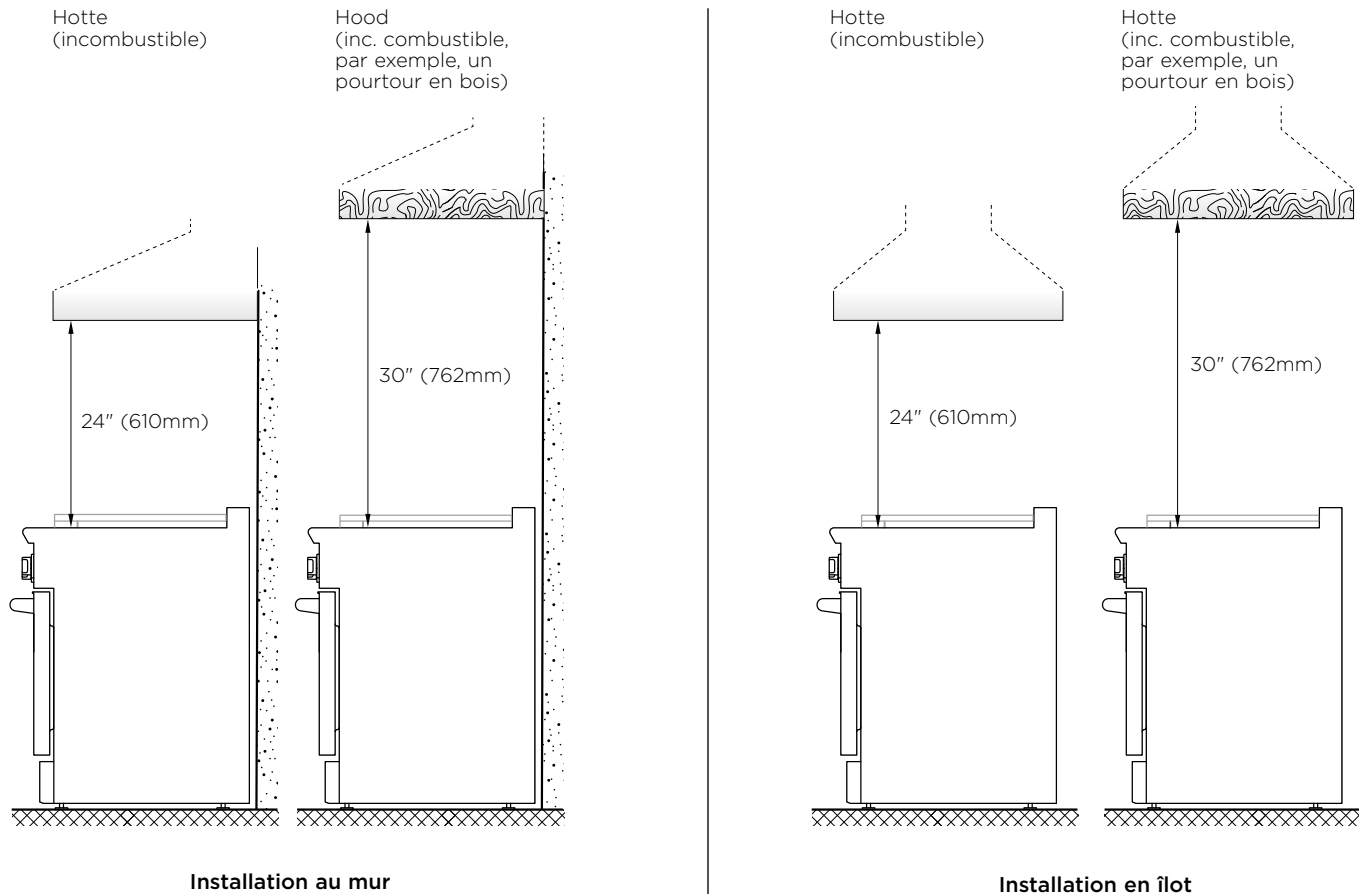
Une hotte de ventilation adéquate peut être installée au-dessus de la cuisinière.

Fisher & Paykel propose diverses hottes de ventilation conçues pour l'utilisation avec nos électroménagers.

Visitez le site fisherpaykel.com ou communiquez avec votre détaillant local pour plus de détails.

IMPORTANT

- Consultez les codes du bâtiment et/ou organismes locaux avant de commencer, pour vous assurer que l'installation de la hotte et des conduits sera conforme aux exigences locales.
- Les vitesses du ventilateur de la hotte doivent être variables afin de réduire le niveau de bruit et la perte d'air chauffé ou climatisé lorsqu'une ventilation maximale n'est pas requise.
Normalement, la vitesse maximale du ventilateur est requise uniquement lors de l'utilisation du gril ou du cycle d'auto-nettoyage.
- Si une hotte sur mesure comporte des matériaux combustibles (par exemple, un revêtement en bois), elle doit se trouver à un minimum de 30" (762mm) au-dessus de la surface de cuisson.
- En raison du volume élevé d'air de ventilation, il est nécessaire d'assurer une source d'air d'appoint (air de remplacement provenant de l'extérieur) conforme aux codes et règlements locaux.



INSTALLATION DES PATTES AJUSTABLES

Installation des pattes ajustables

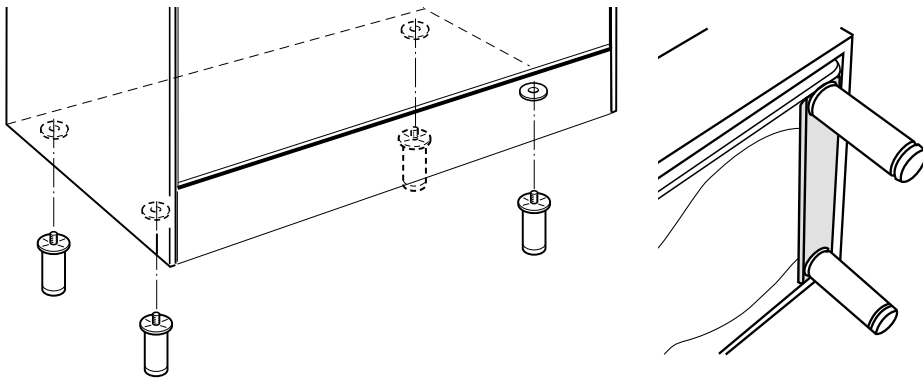
Les pattes ajustables doivent être installées sur la base de la cuisinière avant l'utilisation.

Appuyez la partie arrière de la cuisinière sur un morceau de l'emballage en polystyrène, afin d'exposer la base pour l'installation des pattes.

IMPORTANT

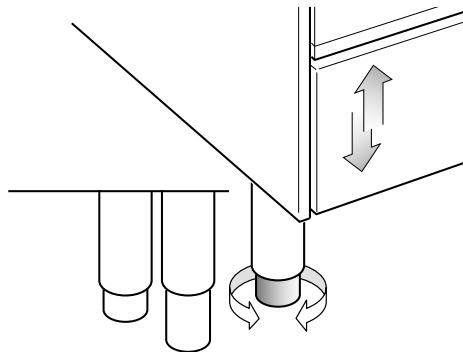
Veillez à ne pas endommager la cuisinière pendant cette opération.

Installez les quatre pattes en les vissant solidement dans la base, comme illustré.



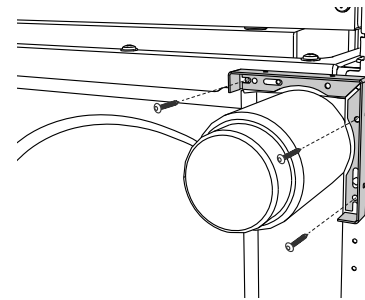
Mise de niveau de la cuisinière

- Vous pouvez mettre la cuisinière de niveau en vissant les extrémités inférieures des pattes vers l'INTÉRIEUR ou l'EXTÉRIEUR.
- De petits ajustements peuvent être effectués lorsque la cuisinière est en position verticale, mais il pourrait être nécessaire d'incliner la cuisinière de nouveau pour effectuer des ajustements plus importants.

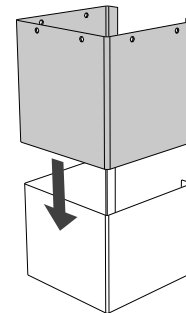


Installation des revêtements de pattes ajustables (en option)

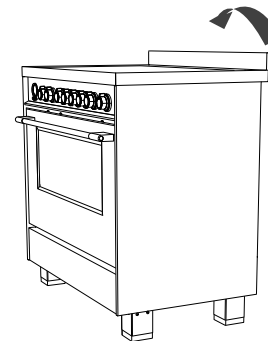
Si vous souhaitez utiliser les revêtements de pattes ajustables, installez-les pendant que la cuisinière est basculée vers l'arrière.



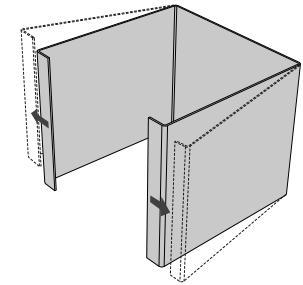
- ① Pointe la gamme sur son dos et fixer les supports aux trous de montage.



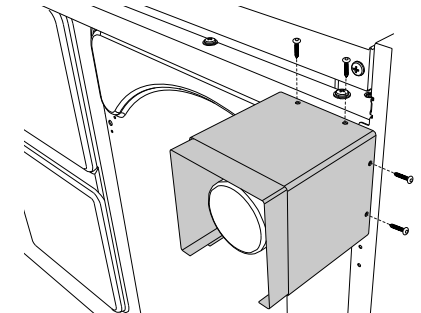
- ③ Fente les panneaux extérieurs sur les panneaux intérieurs tendus.



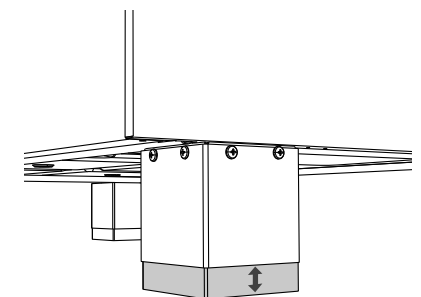
- ⑤ Tenez la cuisinière en position verticale.



- ② Tordez doucement les côtés des panneaux intérieurs vers l'extérieur pour les tendre.



- ④ Fixez les couvercles aux supports à l'aide des vis fournies.

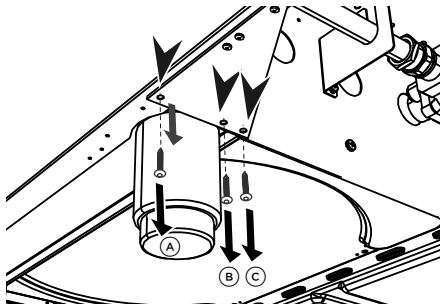


- ⑥ Ajustez les panneaux intérieurs des couvre-pieds en fonction de la hauteur des pieds.

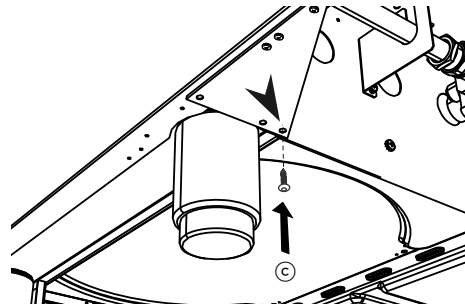
INSTALLATION DES PATTES AJUSTABLES

Installation des revêtements de pattes ajustables (en option)

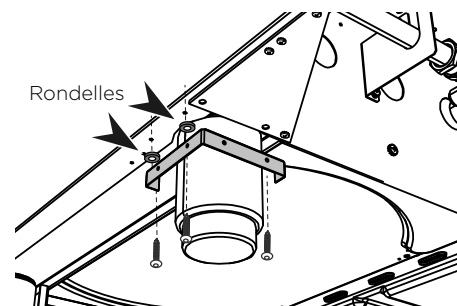
Si vous souhaitez utiliser les revêtements de pattes ajustables, installez-les pendant que la cuisinière est basculée vers l'arrière.



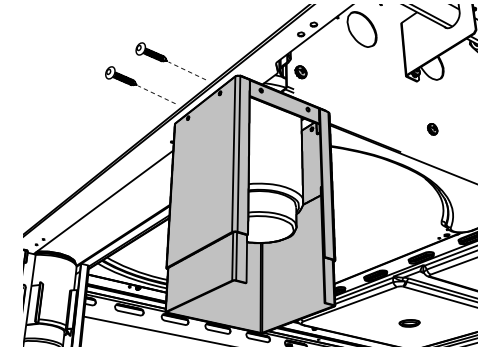
- ① Retirer les vis A, B et C de la plaque sur la base de la cuisinière.



- ② Remplacez la vis C par l'une des vis fournies avec les couvercles de pieds.
- Cette vis doit être remplacée avant de fixer le support de montage à la base de la cuisinière.



- ③ Fixez le support de montage à la base de la cuisinière à l'aide des vis fournies.
- Assurez-vous que les deux rondelles fournies sont installées entre le bord arrière du support et la base de la cuisinière (comme illustré).

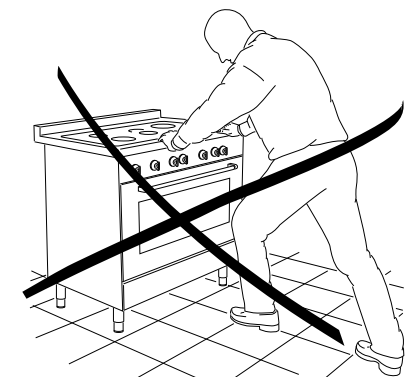
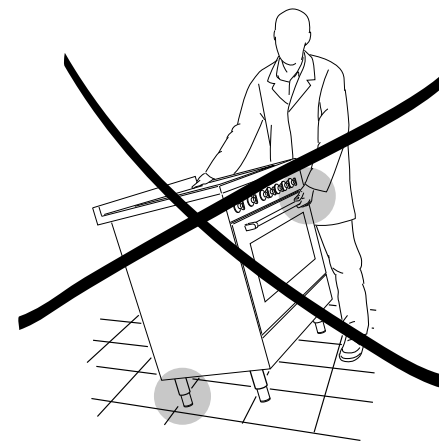
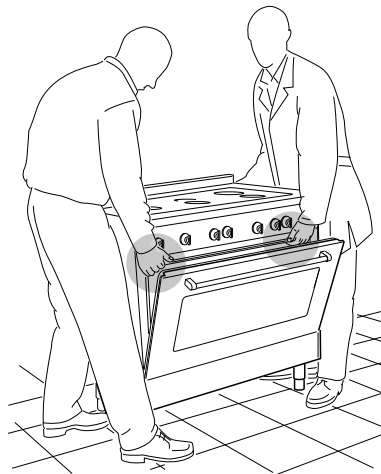


- ④ Fixez les couvercles aux supports à l'aide des vis fournies.

DÉPLACEMENT DE LA CUISINIÈRE

IMPORTANT!

- Pour éviter d'endommager les pattes ajustables, la cuisinière doit toujours être élevée en position verticale par deux personnes.
- Soyez prudent : ne soulevez pas la cuisinière par la poignée du four lorsque vous l'élevez en position verticale.
- Lors du déplacement de la cuisinière à son emplacement final, **NE LA FAITES PAS GLISSER.** Soulevez-la en veillant à ce que les pattes ne touchent pas au sol.



INSTALLATION DU SUPPORT ANTIBASCULEMENT

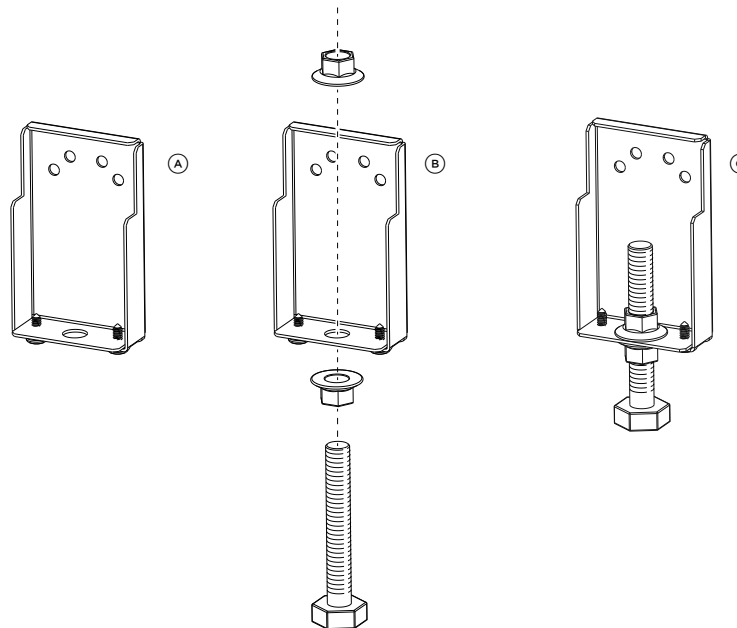
Le support antibasculement est constitué de deux composants :

- le support ajustable
- le support de stabilité

IMPORTANT!

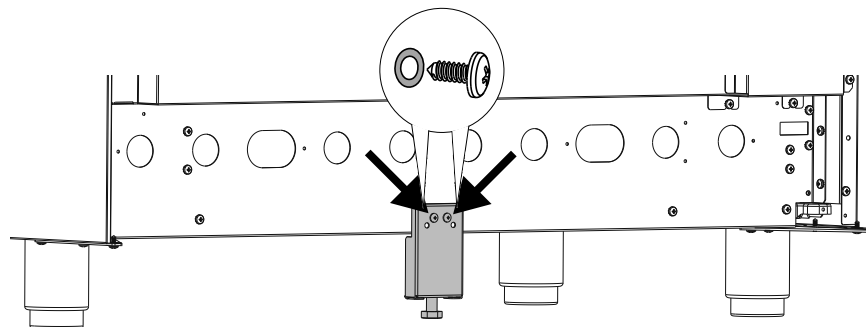
Vous devez installer les deux pièces du support antibasculement et vous assurer qu'elles sont bien installées ensemble pour éviter le basculement de la cuisinière.

Pour installer le support antibasculement



- ① Faites passer le boulon dans le support ajustable et fixez-le en place à l'aide des deux écrous fournis. ssurez-vous de bien serrer les écrous.

- ② Fixez le support ajustable à l'arrière de la cuisinière (centré sur le rebord inférieur) à l'aide des deux vis fournies.



INSTALLATION DU SUPPORT ANTIBASCULEMENT

IMPORTANT!

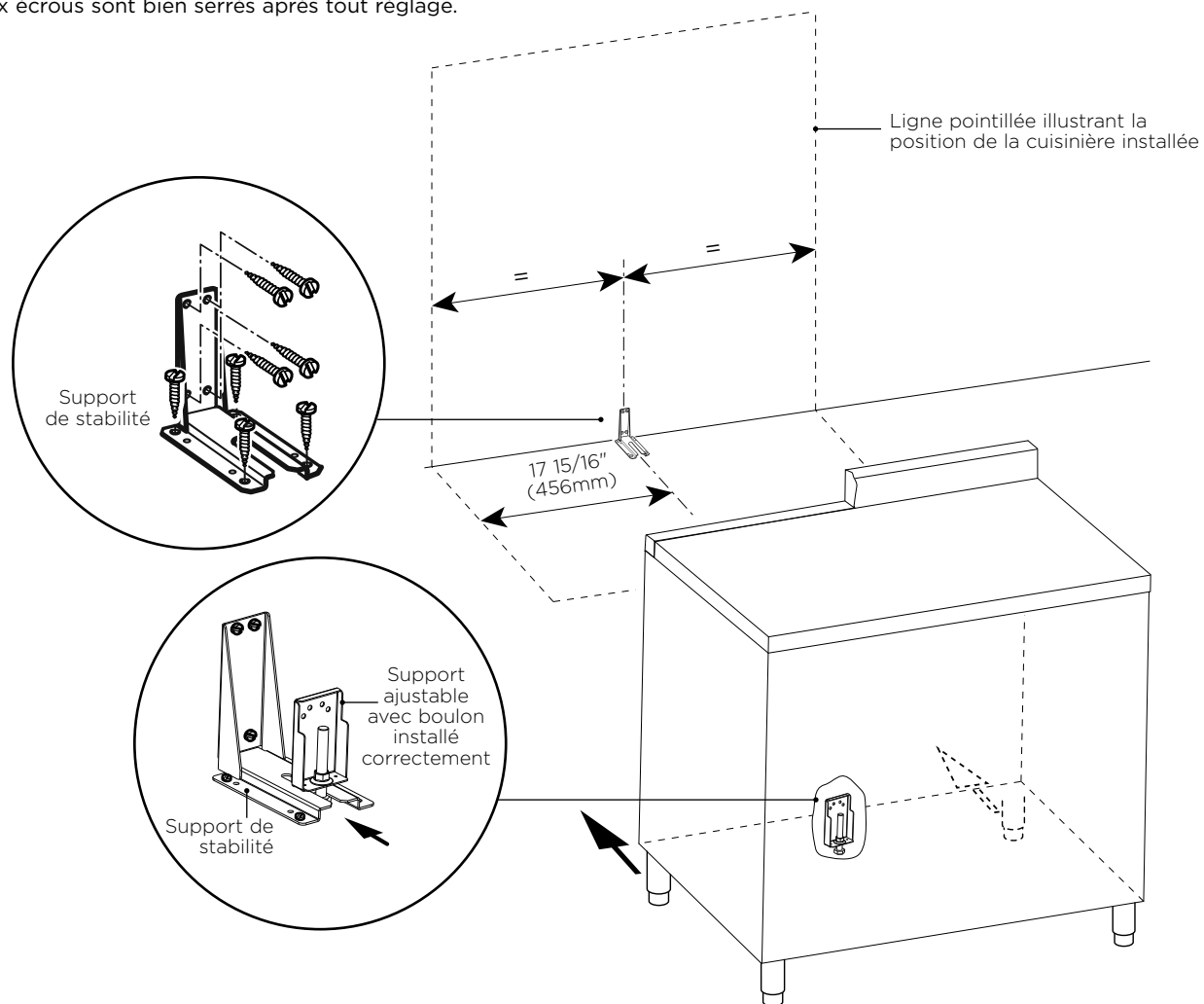
- Utilisez les vis appropriées pour fixer le support de stabilité en place en fonction du type de matériau sur le sol et/ou le mur.
- Avant de percer et de percer des trous ou d'insérer des vis dans le sol ou le mur, vérifiez que vous n'endommagez pas les câbles ou les tuyaux.

③ Fixez le support de stabilité en place. Vous pouvez le fixer comme suit :

- Au sol OU au mur arrière à l'aide de 4 vis (fournies).
- Au sol ET sur la paroi arrière par 8 vis (fournies).
- Il y a 8 vis à bois et 8 vis avec douilles en plastique fournies avec la gamme dans deux kits séparés. Utilisez les vis appropriées en fonction du type de matériau sur le sol et/ou le mur.
- Si vous utilisez les ancrages de manchon en plastique: percez des trous de 5/16" (8 mm) de diamètre et insérez les ancrages fournis avant de fixer le support de stabilité avec les vis.

④ Faites glisser la cuisinière en place, en vous assurant que le boulon se trouve sur les fentes du support réglable sous le support de stabilité.

- Ajustez la longueur du boulon si nécessaire. Assurez-vous que les deux écrous sont bien serrés après tout réglage.



⚠ MISE EN GARDE!



Risque de choc électrique

Le fait de ne pas respecter ces instructions peut causer la mort, un incendie ou un choc électrique.

Cette cuisinière doit être mise à la terre.

⚠ MISE EN GARDE! TRÈS IMPORTANT

Pour réduire les risques de choc électrique, avant d'installer l'appareil, **COUPEZ le courant au panneau électrique et verrouillez ce dernier pour éviter que le courant puisse être rétabli accidentellement.**

IMPORTANT!

Cette cuisinière doit être raccordée à l'alimentation électrique uniquement par un technicien autorisé.

Votre cuisinière est dotée d'un cordon d'alimentation avec fiche à 4 broches certifié NEMA 14-50P; branchez la fiche directement dans une prise correctement mise à la terre.

- Ne coupez ou retirez en aucun cas la quatrième broche (mise à la terre) de la fiche électrique.
- Ne reliez pas la mise à la terre à une conduite de gaz.
- N'installez aucun fusible dans le circuit neutre ou de mise à la terre.
- N'utilisez aucune rallonge.

Si vous n'êtes pas certain que la cuisinière est correctement mise à la terre, vérifiez auprès d'un installateur électrique qualifié.

- Si les codes le permettent et qu'un fil de mise à la terre distinct est utilisé, nous vous recommandons de faire appel à un électricien qualifié qui déterminera si le trajet de la mise à la terre et le calibre de fil répondent aux exigences des codes locaux.

Assurez-vous que la connexion électrique et la taille du fil sont adéquates et conformes aux normes suivantes :

- ANSI/NFPA 70 dernier ajout et codes et règlements locaux.
- CSA Standard C22.1, Code canadien de l'électricité, Partie 1—dernière édition et codes et règlements locaux.

Lorsque la seule alimentation électrique disponible est une alimentation 120/240 V ou 120/208 V CA 60 Hz à 4 fils et deux phases, une protection de circuit à fusible de 50 A maximum est requise aux deux extrémités du câble électrique.

Remplacement du cordon d'alimentation

- Les remplacements ne doivent être effectués que par un technicien électrique qualifié.
- Si le cordon d'alimentation doit être remplacé, utilisez uniquement un cordon UL ou CSA approuvé.
- Serrez le cordon d'alimentation en utilisant le support serre-câble fourni avec l'appareil.
- Prévoyez suffisamment de jeu pour fixer facilement les bornes du cordon au bloc de jonction.

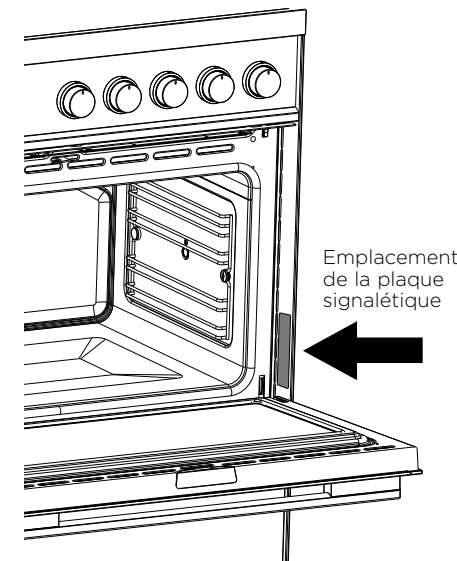
TENSION ET CONSOMMATION D'ÉNERGIE*	LA CHARGE NEC CALCULÉE
120/208 V CA 60 Hz 11600 W Max 55.5 A Max	40A*
120/240 V CA 60 Hz 15500 W Max 64 A Max	40A*
Puissance d'induction = 11 100 W MAX	

*La charge NEC calculée est inférieure à la charge totale connectée indiquée sur la plaque signalétique.

Prise murale NEMA 14-50R standard



Cordon d'alimentation avec fiche NEMA 14-50P



Emplacement de la plaque signalétique

RACCORDEMENT ÉLECTRIQUE

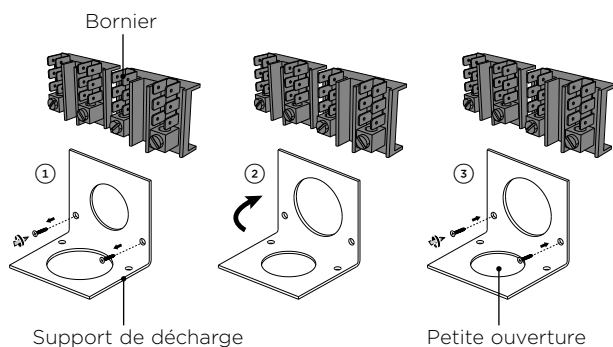
CONNEXION PERMANENTE (CÂBLAGE DUR)

US seulement, pour le Canada, il est obligatoire de connecter la cuisinière en utilisant le cordon avec la prise fournie.

Les unités peuvent être câblées à l'alimentation. L'installateur doit fournir un conduit en aluminium flexible approuvé, de taille commerciale de 3/4 po (19mm), d'une longueur maximale de 1,8 m (6 pi). Localisez le bornier à l'arrière de l'appareil et retirez le couvercle d'accès.

L'orientation du support de décharge de traction doit être commutée afin d'assurer une connexion de câblage permanente:

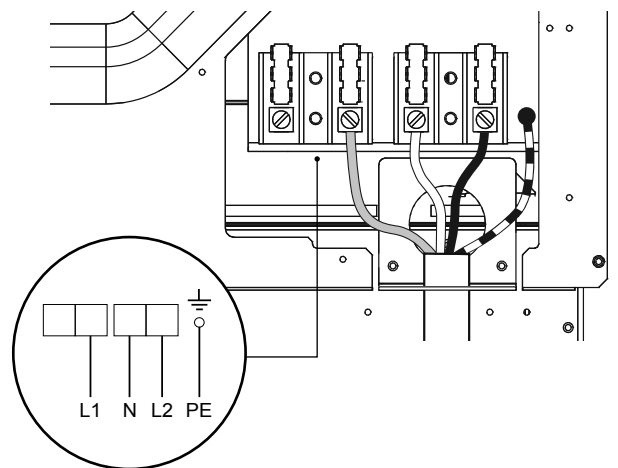
- 1 Retirez le cordon d'alimentation fourni en usine.
- 2 Retirez les 2 vis du support.
- 3 Re-sécuriser le support avec les 2 vis de sorte que le 1 1/8 po (29mm) plus petite ouverture est face vers le bas.



- Le conduit doit être installé sur le bornier en utilisant un connecteur de conduit approuvé. L'extrémité libre du conduit doit être reliée à une boîte de jonction prévue dans la zone d'alimentation électrique.
- Monter une décharge de traction (non fourni) dans le trou de 1 1/8 po (29mm) de diamètre situé sous le bornier. Le câblage de l'unité doit être introduit dans le bornier à travers le conduit et à travers la décharge de traction. Effectuez les connexions appropriées au bornier fourni.
- **Installateur — Indique au propriétaire l'emplacement du disjoncteur. Marquez-le pour faciliter la consultation.**

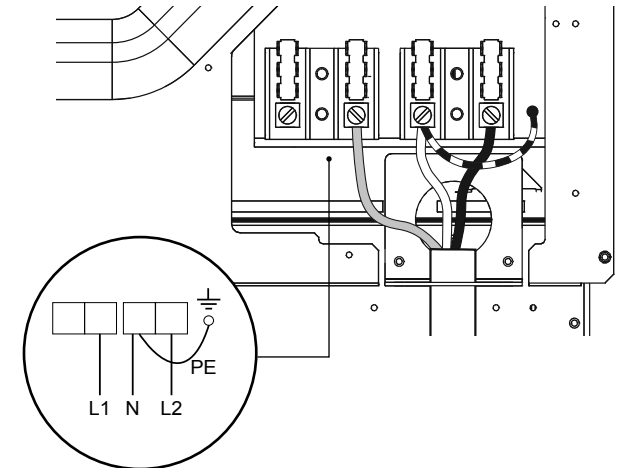
Connexion à 4 fils

- 1 Desserrez les vis L1 (rouge), L2 (noire) et neutre (blanche).
- 2 Montez le raccord de conduit sur le trou de 1 1/8 po (29mm) dans le support de décharge de traction.
- 3 Fixez le fil d'alimentation neutre (blanc) à la borne centrale et serrez la vis.
- 4 Fixez les fils d'alimentation L1 (rouge) et L2 (noire) aux bornes situées immédiatement à gauche (L1) et à droite (L2) de la borne neutre. Serrer les vis.
- 5 Fixez le fil de masse (vert) à la vis verte située à droite du bornier à l'aide de la rondelle creuse fournie. L'extrémité du conducteur de mise à la terre doit être retenue par la rondelle creuse.
- 6 Vérifiez que toutes les connexions sont bien serrées.
- 7 Réinstallez le couvercle du bornier



Connexion à 3 fils (en utilisant le fil de masse fourni)

- 1 Desserrez les vis L1 (rouge), L2 (noire) et neutre (blanche).
- 2 Montez le raccord de conduit sur le trou de 1 1/8 po (29mm) dans le support de décharge de traction.
- 3 Fixez le fil de masse (vert) fourni à la vis de mise à la terre à la droite du bornier.
- 4 Fixez le fil d'alimentation neutre (blanc) avec le fil de terre (vert) au centre de la borne. Serrez la vis.
- 5 Fixez les fils d'alimentation L1 (rouge) et L2 (noire) aux bornes situées immédiatement à gauche (L1) et à droite (L2) de la borne neutre. Serrer les vis.
- 6 Vérifiez que toutes les connexions sont bien serrées.
- 7 Réinstallez le couvercle du bornier.



LISTE DE VÉRIFICATION FINALE

À ÊTRE REMPLIE PAR L'INSTALLATEUR

GÉNÉRALITÉS

- Emplacement de l'appareil.
- Mesures de dégagement spécifiées respectées par rapport aux surfaces d'armoires.
- Appareil de niveau – de l'avant à l'arrière, d'un côté à l'autre.
- Matériaux d'emballage et courroies d'attache entièrement retirés.
- Garniture d'îlot ou dossier en option correctement fixé.
- Support antibasculement correctement installé.

ALIMENTATION ÉLECTRIQUE

- Connexion de mise à la terre adéquate.

FONCTIONNEMENT

- Tous les matériaux d'emballage internes ont été retirés. Vérifiez l'intérieur du four.
- Les boutons tournent correctement et librement.
- Les afficheurs de four et surface de cuisson fonctionnent correctement et les zones de cuisson et le four peuvent être allumés.
- Les charnières de la porte sont bien logées et la porte ouvre et ferme correctement.

Remplir et conserver pour référence ultérieure :

Modèle _____

N° de série _____

Date d'achat _____

Acheteur _____

Adresse du détaillant _____

Nom de l'installateur _____

Signature de l'installateur _____

Entreprise d'installation _____

Date de l'installation _____

FISHERPAYKEL.COM

Droit d'auteur © Fisher & Paykel Appliances 2019. Tous droits réservés.
Les caractéristiques de produit présentées dans ce livret s'appliquent aux modèles et produits spécifiques qui y sont décrits à la date de publication. Dans le cadre de notre politique d'amélioration en permanence de nos produits, ces caractéristiques peuvent être modifiées à tout moment. Nous vous recommandons de vérifier auprès de votre détaillant que ce livret décrit le produit actuellement disponible.

