

Oven, 60cm, 11 Function, Self-cleaning

Series 9 | Contemporary

Stainless Steel

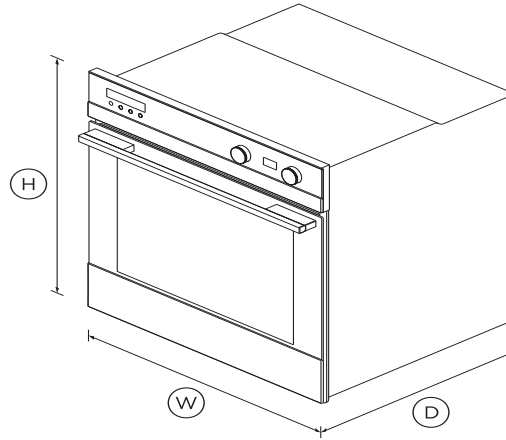


A highlight of the Fisher & Paykel collection, this Series 9 oven ensures that every dish you create is cooked to perfection.

- 85L total capacity with 11 oven functions including Roast and Pastry Bake
- Moisture level control with ActiveVent™ technology
- Pyrolytic self-cleaning function breaks down food residue for an easy clean
- Non-tip, full-extension shelves for safe removal of hot dishes

DIMENSIONS

Height	598mm
Width	596mm
Depth	565mm



FEATURES & BENEFITS

Multi-function Flexibility

11 functions including Roast, Pastry Bake and Fan Grill mean no matter what you're cooking, you've got the right heat to match.

Generous capacity

With a generous sized internal cavity, you can create several dishes at once using multiple shelves.

ActiveVent™ technology

With ActiveVent™ technology for optimised moisture levels and AeroTech™ for even heat distribution, you'll get perfect results even when using multiple shelves.

Cleaning is simple

Pyrolytic self-clean breaks down food residue at a very high temperature, leaving a light ash that's easily removed with a damp cloth.

Seamless Fit

Designed to fit seamlessly in your kitchen, this built-in oven fits flush with cabinetry to minimise gaps and add to a cohesive aesthetic.

Safe and sound

The CoolTouch door features triple glazing and a cooling system that ensures it's safe to touch from the outside – protecting both your hands and the surrounding cabinetry.

SPECIFICATIONS

Accessories

Contemporary round handle	Part 81645
Food probe	1
Full extension sliding shelves	2 sets
Full extension telescopic	•
Grill rack	1 set
Optional round handle	Part 81645
Roasting dish	1
Step down wire shelf	1

Capacity

Shelf positions	6
Total capacity	85L
Total gross	85L
Usable capacity	72L

Cleaning

- Acid resistant graphite enamel
- Pyrolytic self-clean
- Removable oven door
- Removable oven door inner
- Removable shelf runners

- Roast
- Slow cook
- Vent bake
- Warm
- Warm

Consumption

Energy rating **A+**

Performance

- ActiveVent™ system
- AeroTech™ technology
- Automatic rapid pre-heat
- Grill power **3000W**
- Whisper quiet cooking

Controls

- Audio feedback
- Automatic cooking/minute
- Automatic pre-set
- Celsius/Fahrenheit
- Electronic clock
- Electronic oven control
- Precise electronic temperature
- Sabbath mode
- Soft open and close door
- Turned stainless capacitive
- Turned stainless dials with

Power requirements

Supply frequency **50Hz**
 Supply voltage **220 - 240V**

Product dimensions

Depth **565mm**
 Height **598mm**
 Width **596mm**

Functions

- Bake
- Fan bake
- Fan forced
- Fan grill
- Grill
- Number of functions **11**
- Pastry Bake

Safety

- Advanced cooling system
- Balanced oven door
- Catalytic venting system
- Control panel key lock
- CoolTouch door
- Full extension sliding shelves
- Non-tip shelves

Warranty

Parts and labour **5 years**

SKU **82268**

TEST The product dimensions and specifications in this page apply to the specific product and model. Under our policy of continuous improvement, these dimensions and specifications may change at any time. You should therefore check with Fisher & Paykel's Customer Care Centre to ensure this page correctly describes the model currently available. ? Fisher & Paykel Appliances Ltd 2020

Other product downloads available at fisherpaykel.com



User Guide



User Guide



Installation Guide



Data Sheet Oven



A PEACE OF MIND SALE

24 Hours 7 Days a Week Customer Support

T 08000 886 605 [Wwww.fisherpaykel.com](http://www.fisherpaykel.com)